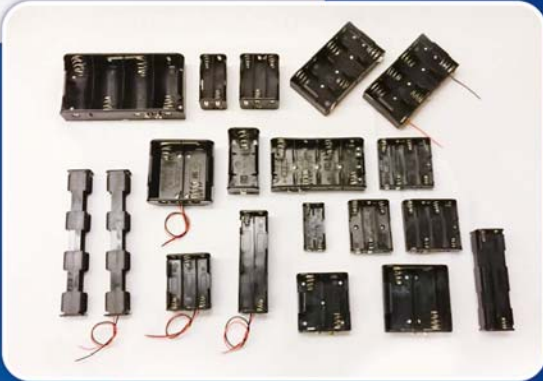




NEW

2015
~2016

GAINTA INDUSTRIES LTD



ALUG7XX SERIES
Extruded Aluminium Enclosures



GSN SERIES
Battery Holder & Clip



Battery Contact Kits ("AA") ("AAA")



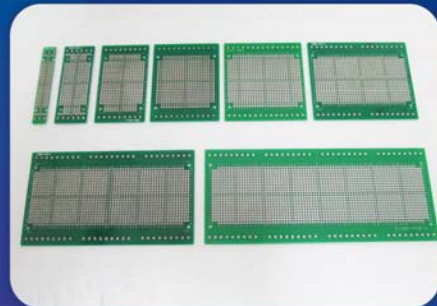
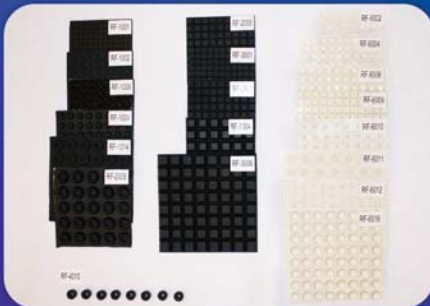
RF SERIES
Rubber Feet



DIN SERIES
Dinrail / Module box



G19XX SERIES
Utility box & USB box



CONTENTS

❖ **ALUG7XX SERIES** **Page 01**

Extruded Aluminium Enclosures

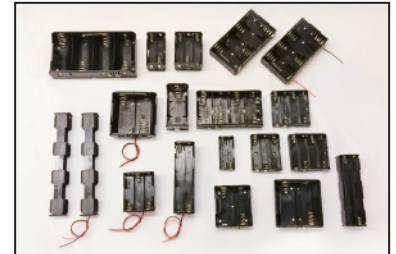
- TYPE A : Aluminium end panel ----- Page 02
with extruded aluminium body
- TYPE B : Plastic end panel ----- Page 05
with extruded aluminium body



❖ **GSN SERIES** **Page 29**

Battery Holder & Clip

- TYPE A : Wire lead type of battery holder / Clip ----- Page 30
- TYPE B : PCB mounted type of battery holder ----- Page 34
- TYPE C : Snap connector type of battery holder ----- Page 35
- TYPE D : Solder lug type of battery holder ----- Page 37



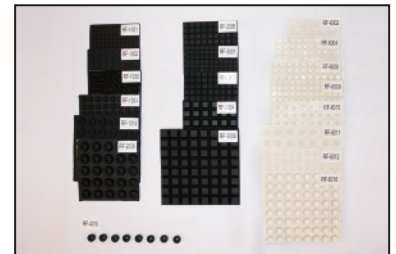
❖ **Battery Contact Kits** **Page 40**

“AA” (UM3) & “AAA”(UM4)



❖ **RF SERIES** **Page 42**

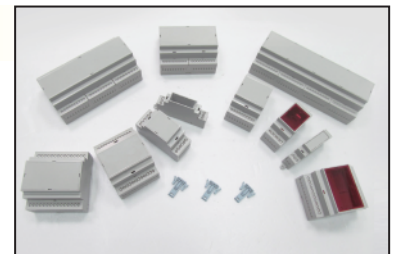
Rubber Feet



❖ **DIN SERIES** **Page 45**

Dinrail / Module box

- Cover and Wall Clip ----- Page 46
- Guard (Perforated, Solid, Pre-drilled) ----- Page 47
- PCB and Terminal block ----- Page 48



❖ **G19XX SERIES** **Page 63**

Utility box & USB box

- USB box ----- Page 64
- Utility box ----- Page 65

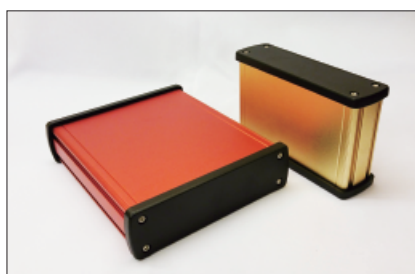




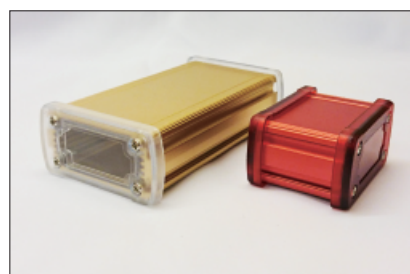
PRODUCT INFORMATION

- 5 different sizes with suitable lengths of extruded aluminium enclosures are provided for indoor desktop device or outdoor wall mounting junction/control box use.
- 5 standard colors (Golden , Silver , Red , Blue & Black anodized finish) & modern aluminium bodys with two type of end panels (plastic & die-casting aluminium end panel) are offered for more selection.
- 0.5mm of recessed area designed in the top is for customer to affix the product label or to do the silk-screen printing.
- Optional continuous rubber seals designed to meet IP66 rating are offered when customers need to install in the cover & use the enclosure in the outdoor.
- Die-casting wall mounting kit with black powder coated (2pcs/pack) are also offered for selection.
- Inserted type of PCB (1.6 mm thick.) & PCB stopper are also provided when customer need to use.

◆ **TYPE A** | Aluminium end panel with extruded aluminium body



◆ **TYPE B** | Plastic end panel with extruded aluminium body

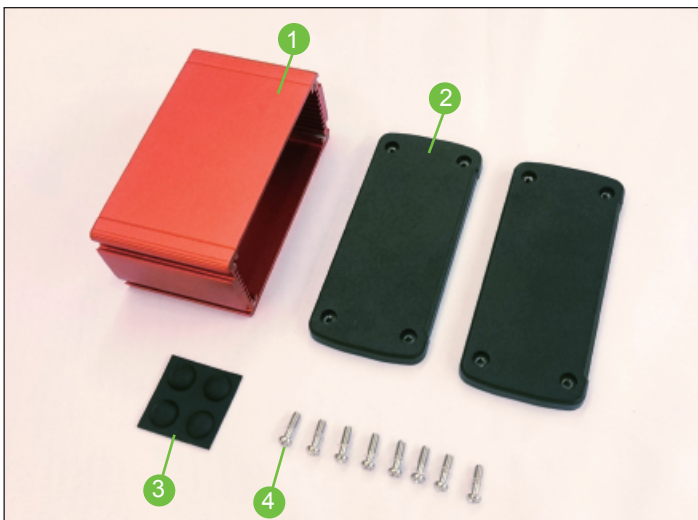




PRODUCT INFORMATION

- Material of the aluminium body : Aluminium alloy 6063
- Material of the aluminium end panel : Aluminium alloy ADC-12
- Color of the aluminium body : Golden <GD> , Silver <SR> , Red <RD> , Blue <BU> & Black <BK> anodized finish
- Color of the aluminium end panel : Black powder coating

Content



- 1: Aluminium body
- 2: Aluminium end panel
- 3: Rubber feet
- 4: Stainless screw and Polycarbonate washer

※ Reference Product Photo	Item number	COLOR		External Dimension (mm)
		Extruded Aluminium Body	Aluminium end Panels	
	※ ALUG702GD040	■ Golden	■ Painted Black	68.7 x 35.2 x 49
	ALUG702GD080			68.7 x 35.2 x 89
	ALUG702GD120			68.7 x 35.2 x 129
	ALUG702SR040	■ Silver	■ Painted Black	68.7 x 35.2 x 49
	ALUG702SR080			68.7 x 35.2 x 89
	※ ALUG702SR120			68.7 x 35.2 x 129
	ALUG702RD040	■ Red	■ Painted Black	68.7 x 35.2 x 49
	※ ALUG702RD080			68.7 x 35.2 x 89
	ALUG702RD120			68.7 x 35.2 x 129
	ALUG702BU040	■ Blue	■ Painted Black	68.7 x 35.2 x 49
	※ ALUG702BU080			68.7 x 35.2 x 89
	ALUG702BU120			68.7 x 35.2 x 129
	ALUG702BK040	■ Black	■ Painted Black	68.7 x 35.2 x 49
	※ ALUG702BK080			68.7 x 35.2 x 89
	ALUG702BK120			68.7 x 35.2 x 129
	ALUG704GD060	■ Golden	■ Painted Black	113.7 x 35.2 x 69
	ALUG704GD110			113.7 x 35.2 x 119
	※ ALUG704GD160			113.7 x 35.2 x 169
	ALUG704SR060	■ Silver	■ Painted Black	113.7 x 35.2 x 69
	※ ALUG704SR110			113.7 x 35.2 x 119
	ALUG704SR160			113.7 x 35.2 x 169
	ALUG704RD060	■ Red	■ Painted Black	113.7 x 35.2 x 69
	※ ALUG704RD110			113.7 x 35.2 x 119
	ALUG704RD160			113.7 x 35.2 x 169
	ALUG704BU060	■ Blue	■ Painted Black	113.7 x 35.2 x 69
	※ ALUG704BU110			113.7 x 35.2 x 119
	ALUG704BU160			113.7 x 35.2 x 169
	※ ALUG704BK060	■ Black	■ Painted Black	113.7 x 35.2 x 69
	ALUG704BK110			113.7 x 35.2 x 119
	ALUG704BK160			113.7 x 35.2 x 169
	ALUG705GD060	■ Golden	■ Painted Black	115.1 x 51.6 x 69
	※ ALUG705GD110			115.1 x 51.6 x 119
	ALUG705GD160			115.1 x 51.6 x 169
	ALUG705SR060	■ Silver	■ Painted Black	115.1 x 51.6 x 69
	ALUG705SR110			115.1 x 51.6 x 119
	※ ALUG705SR160			115.1 x 51.6 x 169
	※ ALUG705RD060	■ Red	■ Painted Black	115.1 x 51.6 x 69
	ALUG705RD110			115.1 x 51.6 x 119
	ALUG705RD160			115.1 x 51.6 x 169
	ALUG705BU060	■ Blue	■ Painted Black	115.1 x 51.6 x 69
	※ ALUG705BU110			115.1 x 51.6 x 119
	ALUG705BU160			115.1 x 51.6 x 169
	ALUG705BK060	■ Black	■ Painted Black	115.1 x 51.6 x 69
	※ ALUG705BK110			115.1 x 51.6 x 119
	ALUG705BK160			115.1 x 51.6 x 169

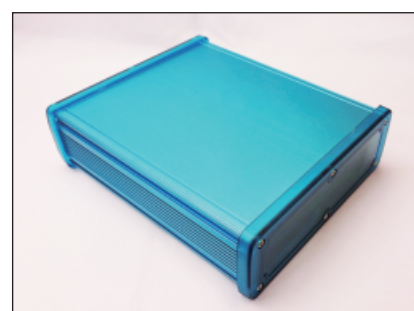
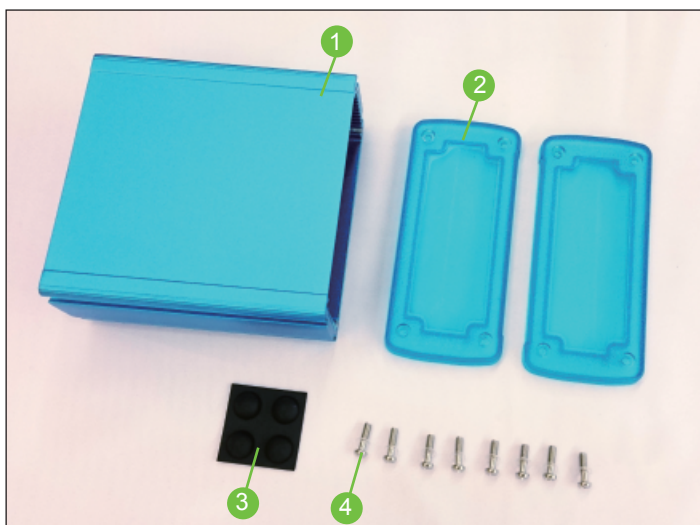
※ Reference Product Photo	Item number	COLOR		External Dimension (mm)
		Extruded Aluminium Body	Aluminium end Panels	
	※ ALUG706GD080	■ Golden	■ Painted Black	146.6 x 41.6 x 89
	ALUG706GD120			146.6 x 41.6 x 129
	ALUG706GD160			146.6 x 41.6 x 169
	ALUG706GD200			146.6 x 41.6 x 209
	ALUG706SR080	■ Silver	■ Painted Black	146.6 x 41.6 x 89
	ALUG706SR120			146.6 x 41.6 x 129
	※ ALUG706SR160			146.6 x 41.6 x 169
	ALUG706SR200			146.6 x 41.6 x 209
	ALUG706RD080	■ Red	■ Painted Black	146.6 x 41.6 x 89
	ALUG706RD120			146.6 x 41.6 x 129
	※ ALUG706RD160			146.6 x 41.6 x 169
	ALUG706RD200			146.6 x 41.6 x 209
	ALUG706BU080	■ Blue	■ Painted Black	146.6 x 41.6 x 89
	ALUG706BU120			146.6 x 41.6 x 129
	ALUG706BU160			146.6 x 41.6 x 169
	※ ALUG706BU200			146.6 x 41.6 x 209
	ALUG706BK080	■ Black	■ Painted Black	146.6 x 41.6 x 89
	※ ALUG706BK120			146.6 x 41.6 x 129
	ALUG706BK160			146.6 x 41.6 x 169
	ALUG706BK200			146.6 x 41.6 x 209
	ALUG708GD080	■ Golden	■ Painted Black	177.6 x 61.1 x 89
	ALUG708GD120			177.6 x 61.1 x 129
	ALUG708GD160			177.6 x 61.1 x 169
	※ ALUG708GD200			177.6 x 61.1 x 209
	ALUG708SR080	■ Silver	■ Painted Black	177.6 x 61.1 x 89
	※ ALUG708SR120			177.6 x 61.1 x 129
	ALUG708SR160			177.6 x 61.1 x 169
	ALUG708SR200			177.6 x 61.1 x 209
	※ ALUG708RD080	■ Red	■ Painted Black	177.6 x 61.1 x 89
	ALUG708RD120			177.6 x 61.1 x 129
	ALUG708RD160			177.6 x 61.1 x 169
	ALUG708RD200			177.6 x 61.1 x 209
	ALUG708BU080	■ Blue	■ Painted Black	177.6 x 61.1 x 89
	ALUG708BU120			177.6 x 61.1 x 129
	※ ALUG708BU160			177.6 x 61.1 x 169
	ALUG708BU200			177.6 x 61.1 x 209
	ALUG708BK080	■ Black	■ Painted Black	177.6 x 61.1 x 89
	ALUG708BK120			177.6 x 61.1 x 129
	※ ALUG708BK160			177.6 x 61.1 x 169
	ALUG708BK200			177.6 x 61.1 x 209



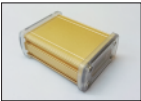
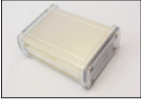



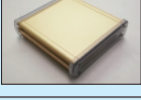









PRODUCT INFORMATION

- Material of the aluminium body : Aluminium alloy 6063
- Material of the plastic end panel : UL94-V0 rating of polycarbonate
- Color of the aluminium body : Golden <GD> , Silver <SR> , Red <RD> , Blue <BU> & Black <BK> anodized finish
- Color of the plastic end panel : Clear, Infra-red , Translucent blue & black

Content



- 1: Aluminium body
- 2: Plastic end panel
- 3: Rubber feet
- 4: Stainless screw and Polycarbonate washer

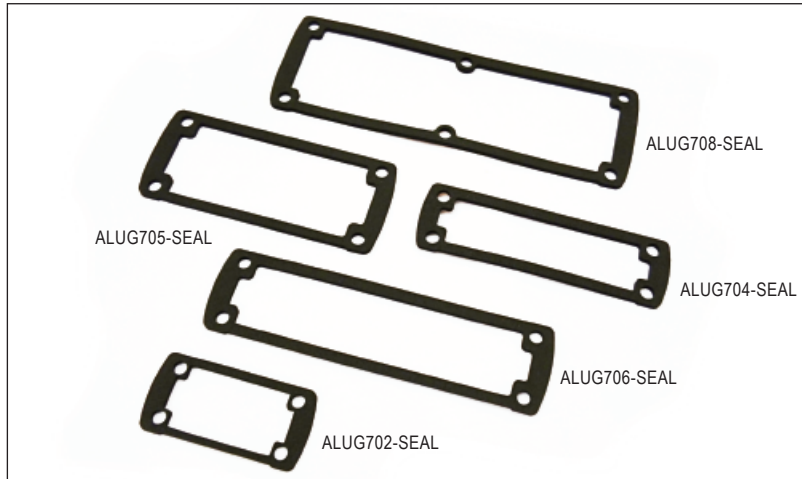
※ Reference Product Photo	Item number	COLOR		External Dimension (mm)
		Extruded Aluminium Body	Plastic end Panels	
	※ ALUG702GD040-C	■ Golden	□ Clear	68.7 x 35.2 x 49
	ALUG702GD080-C			68.7 x 35.2 x 89
	ALUG702GD120-C			68.7 x 35.2 x 129
	※ ALUG702SR040-C	■ Silver	□ Clear	68.7 x 35.2 x 49
	ALUG702SR080-C			68.7 x 35.2 x 89
	ALUG702SR120-C			68.7 x 35.2 x 129
	※ ALUG702RD040-IR	■ Red	■ Infra Red	68.7 x 35.2 x 49
	ALUG702RD080-IR			68.7 x 35.2 x 89
	ALUG702RD120-IR			68.7 x 35.2 x 129
	※ ALUG702BU040-CBU	■ Blue	■ Translucent Blue	68.7 x 35.2 x 49
	ALUG702BU080-CBU			68.7 x 35.2 x 89
	ALUG702BU120-CBU			68.7 x 35.2 x 129
	※ ALUG702BK040-BK	■ Black	■ Black	68.7 x 35.2 x 49
	ALUG702BK080-BK			68.7 x 35.2 x 89
	ALUG702BK120-BK			68.7 x 35.2 x 129
	※ ALUG704GD060-C	■ Golden	□ Clear	113.7 x 35.2 x 69
	ALUG704GD110-C			113.7 x 35.2 x 119
	ALUG704GD160-C			113.7 x 35.2 x 169
	※ ALUG704SR060-C	■ Silver	□ Clear	113.7 x 35.2 x 69
	ALUG704SR110-C			113.7 x 35.2 x 119
	ALUG704SR160-C			113.7 x 35.2 x 169
	※ ALUG704RD060-IR	■ Red	■ Infra Red	113.7 x 35.2 x 69
	ALUG704RD110-IR			113.7 x 35.2 x 119
	ALUG704RD160-IR			113.7 x 35.2 x 169
	※ ALUG704BU060-CBU	■ Blue	■ Translucent Blue	113.7 x 35.2 x 69
	ALUG704BU110-CBU			113.7 x 35.2 x 119
	ALUG704BU160-CBU			113.7 x 35.2 x 169
	※ ALUG704BK060-BK	■ Black	■ Black	113.7 x 35.2 x 69
	ALUG704BK110-BK			113.7 x 35.2 x 119
	ALUG704BK160-BK			113.7 x 35.2 x 169
	※ ALUG705GD060-C	■ Golden	□ Clear	115.1 x 51.6 x 69
	ALUG705GD110-C			115.1 x 51.6 x 119
	ALUG705GD160-C			115.1 x 51.6 x 169
	※ ALUG705SR060-C	■ Silver	□ Clear	115.1 x 51.6 x 69
	ALUG705SR110-C			115.1 x 51.6 x 119
	ALUG705SR160-C			115.1 x 51.6 x 169
	※ ALUG705RD060-IR	■ Red	■ Infra Red	115.1 x 51.6 x 69
	ALUG705RD110-IR			115.1 x 51.6 x 119
	ALUG705RD160-IR			115.1 x 51.6 x 169
	※ ALUG705BU060-CBU	■ Blue	■ Translucent Blue	115.1 x 51.6 x 69
	ALUG705BU110-CBU			115.1 x 51.6 x 119
	ALUG705BU160-CBU			115.1 x 51.6 x 169
	※ ALUG705BK060-BK	■ Black	■ Black	115.1 x 51.6 x 69
	ALUG705BK110-BK			115.1 x 51.6 x 119
	ALUG705BK160-BK			115.1 x 51.6 x 169

※ Reference Product Photo	Item number	COLOR		External Dimension (mm)
		Extruded Aluminium Body	Plastic end Panels	
	ALUG706GD080-C	■ Golden	□ Clear	146.6 x 41.6 x 89
	※ ALUG706GD120-C			146.6 x 41.6 x 129
	ALUG706GD160-C			146.6 x 41.6 x 169
	ALUG706GD200-C			146.6 x 41.6 x 209
	ALUG706SR080-C	■ Silver	□ Clear	146.6 x 41.6 x 89
	ALUG706SR120-C			146.6 x 41.6 x 129
	※ ALUG706SR160-C			146.6 x 41.6 x 169
	ALUG706SR200-C			146.6 x 41.6 x 209
	ALUG706RD080-IR	■ Red	■ Red	146.6 x 41.6 x 89
	ALUG706RD120-IR			146.6 x 41.6 x 129
	ALUG706RD160-IR			146.6 x 41.6 x 169
	※ ALUG706RD200-IR			146.6 x 41.6 x 209
	ALUG706BU080-CBU	■ Blue	■ Translucent Blue	146.6 x 41.6 x 89
	ALUG706BU120-CBU			146.6 x 41.6 x 129
	※ ALUG706BU160-CBU			146.6 x 41.6 x 169
	ALUG706BU200-CBU			146.6 x 41.6 x 209
	※ ALUG706BK080-BK	■ Black	■ Black	146.6 x 41.6 x 89
	ALUG706BK120-BK			146.6 x 41.6 x 129
	ALUG706BK160-BK			146.6 x 41.6 x 169
	ALUG706BK200-BK			146.6 x 41.6 x 209
	※ ALUG708GD080-C	■ Golden	□ Clear	177.6 x 61.1 x 89
	ALUG708GD120-C			177.6 x 61.1 x 129
	ALUG708GD160-C			177.6 x 61.1 x 169
	ALUG708GD200-C			177.6 x 61.1 x 209
	ALUG708SR080-C	■ Silver	□ Clear	177.6 x 61.1 x 89
	※ ALUG708SR120-C			177.6 x 61.1 x 129
	ALUG708SR160-C			177.6 x 61.1 x 169
	ALUG708SR200-C			177.6 x 61.1 x 209
	ALUG708RD080-IR	■ Red	■ Infra Red	177.6 x 61.1 x 89
	※ ALUG708RD120-IR			177.6 x 61.1 x 129
	ALUG708RD160-IR			177.6 x 61.1 x 169
	ALUG708RD200-IR			177.6 x 61.1 x 209
	ALUG708BU080-CBU	■ Blue	■ Translucent Blue	177.6 x 61.1 x 89
	ALUG708BU120-CBU			177.6 x 61.1 x 129
	ALUG708BU160-CBU			177.6 x 61.1 x 169
	※ ALUG708BU200-CBU			177.6 x 61.1 x 209
	ALUG708BK080-BK	■ Black	■ Black	177.6 x 61.1 x 89
	ALUG708BK120-BK			177.6 x 61.1 x 129
	※ ALUG708BK160-BK			177.6 x 61.1 x 169
	ALUG708BK200-BK			177.6 x 61.1 x 209

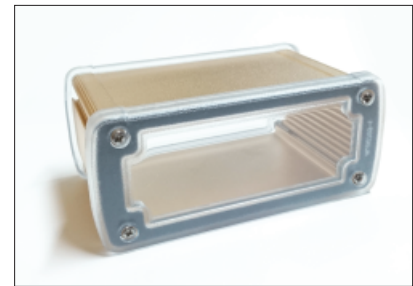
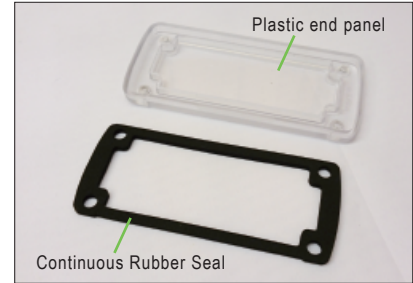
Continuous Rubber Seal, Wall Mounting bracket

Continuous Rubber Seal

- Material of the continuous rubber seal : CR (Neoprene)
- Color of the continuous rubber seal : Black



Example



Item Number	Color	External Dimension (mm)
ALUG702-SEAL	Black	64.7 x 31.2 x 3
ALUG704-SEAL	Black	109.7 x 31.2 x 3
ALUG705-SEAL	Black	109.7 x 46.2 x 3
ALUG706-SEAL	Black	141.2 x 36.2 x 3
ALUG708-SEAL	Black	171.2 x 54.7 x 3

Wall Mounting Bracket

- Material of the wall mounting bracket : Aluminium alloy ADC-12
- Color of the wall mounting bracket : Black <BK> powder coating
- Sales package: 2 pcs/bag
(2 pcs of each mounting brackets & M3.5 X 6mm stainless screws)



Example

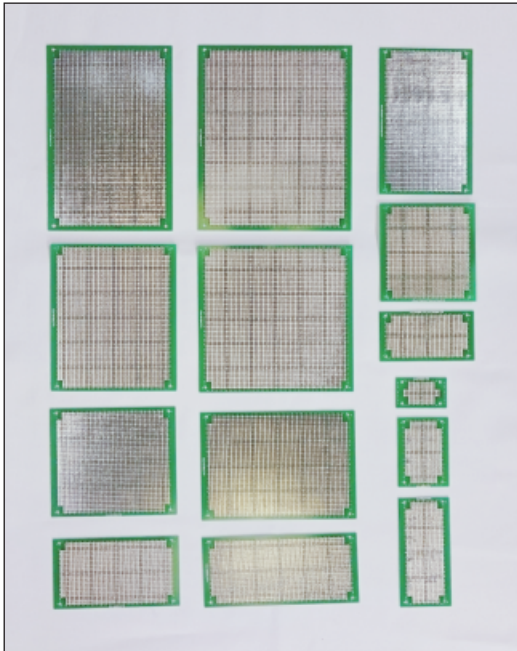


Item Number	Color	External Dimension (mm)
ALMF-002PBK	Painted Black	25 x 18 x 3

PCB, PCB Stopper

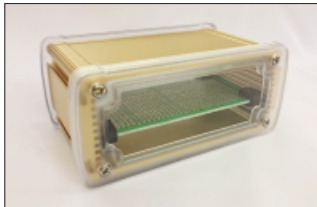
Optional PCB

- Material of the PCB : Glass epoxy board (FR-4) ,both sides.
- Thickness of the PCB is 1.6mm, hole & hole distance is 2.54mm



Item Number	External Dimension(mm)		
	LENGTH	WIDTH	HEIGHT
ALUG702040-PCB	32	53.3	1.6
ALUG702080-PCB	72	53.3	1.6
ALUG702120-PCB	112	53.3	1.6
ALUG704060-PCB	52	98.3	1.6
ALUG704110-PCB	102	98.3	1.6
ALUG704160-PCB	152	98.3	1.6
ALUG705060-PCB	52	98.3	1.6
ALUG705110-PCB	102	98.3	1.6
ALUG705160-PCB	152	98.3	1.6
ALUG706080-PCB	72	129.8	1.6
ALUG706120-PCB	112	129.8	1.6
ALUG706160-PCB	152	129.8	1.6
ALUG706200-PCB	192	129.8	1.6
ALUG708080-PCB	72	159.8	1.6
ALUG708120-PCB	112	159.8	1.6
ALUG708160-PCB	152	159.8	1.6
ALUG708200-PCB	192	159.8	1.6

Example



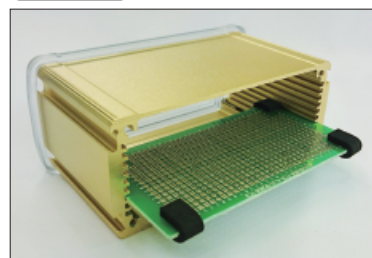
PCB Stopper

- Material of PCB Stopper : CR(Neoprene) with 3M glue adhesive tape
- Sales package: 20 pcs/bag



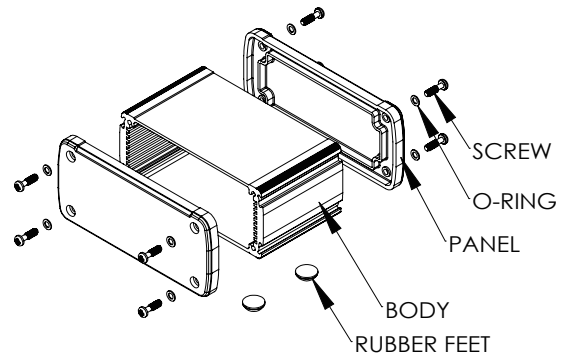
Item Number	External Dimension (mm)
ALUG7XX-PCBSTOP	22 X 8 x 3

Example



CONTENT

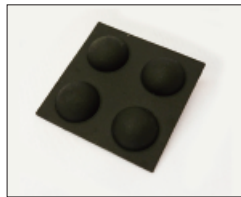
TYPE A Series - Aluminium end panel with extruded aluminium body



1. Extruded aluminium body



2. Aluminium end panel

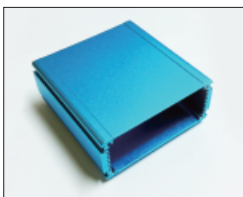
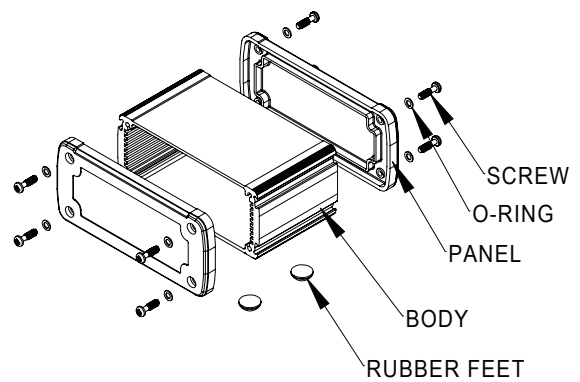
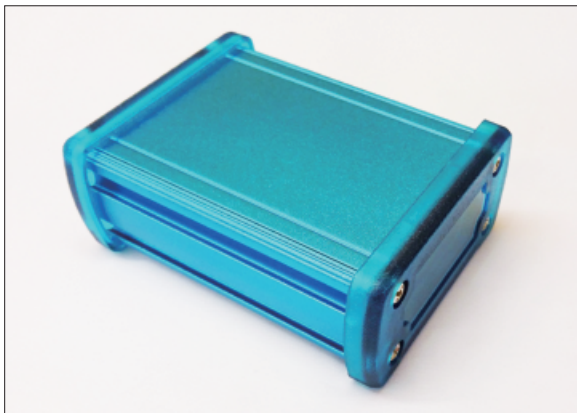


3. Rubber Feet



4. Stainless screw and Polycarbonate washer

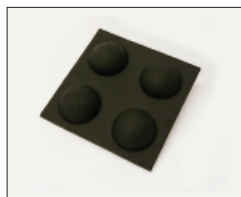
TYPE B Series - Plastic end panel with extruded aluminium body



1. Extruded aluminium body



2. Plastic end panel

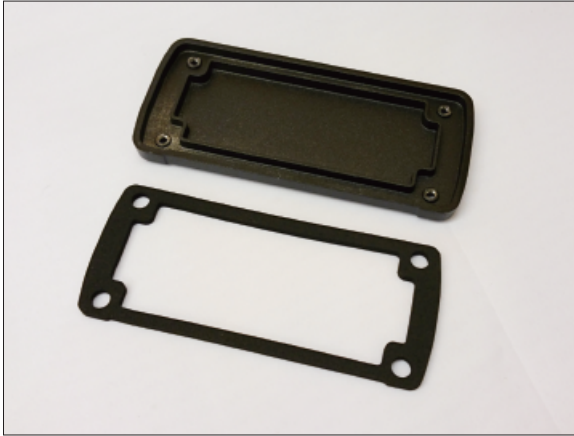


3. Rubber Feet



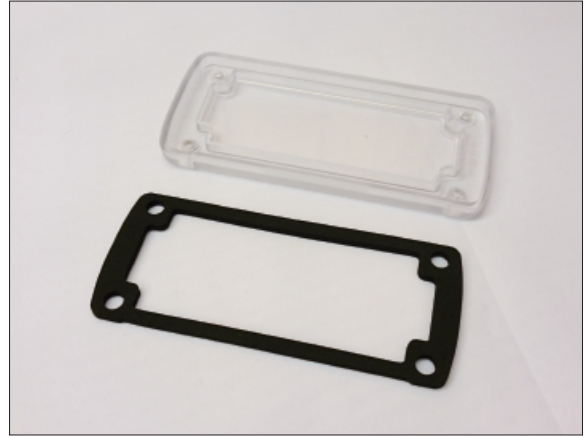
4. Stainless screw and Polycarbonate washer

▶ How to install the seal into the plastic cover/aluminium cover



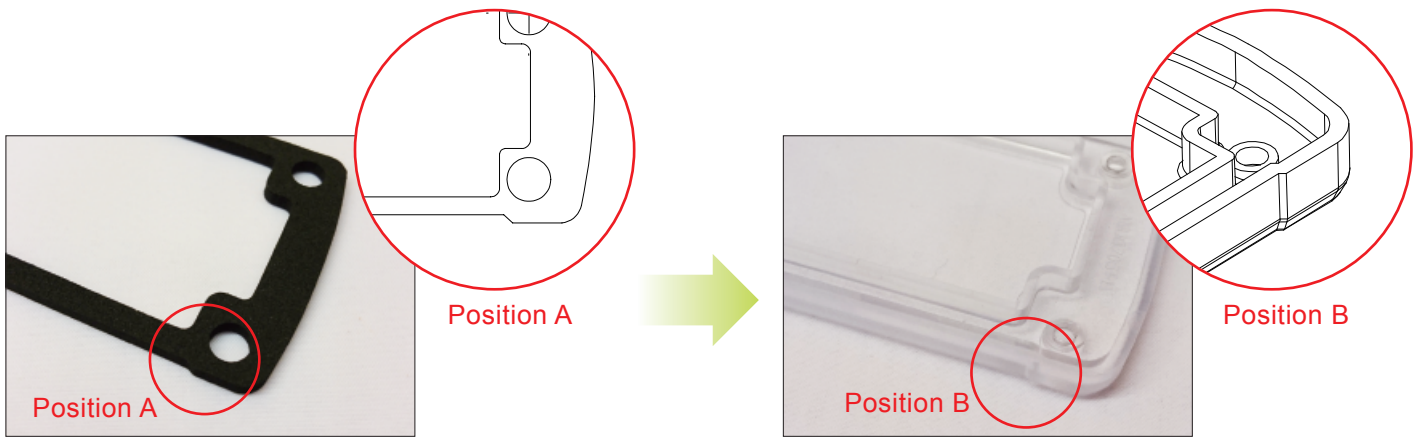
TYPE A

Seal / Aluminium cover
(PS: the same installation as plastic cover)



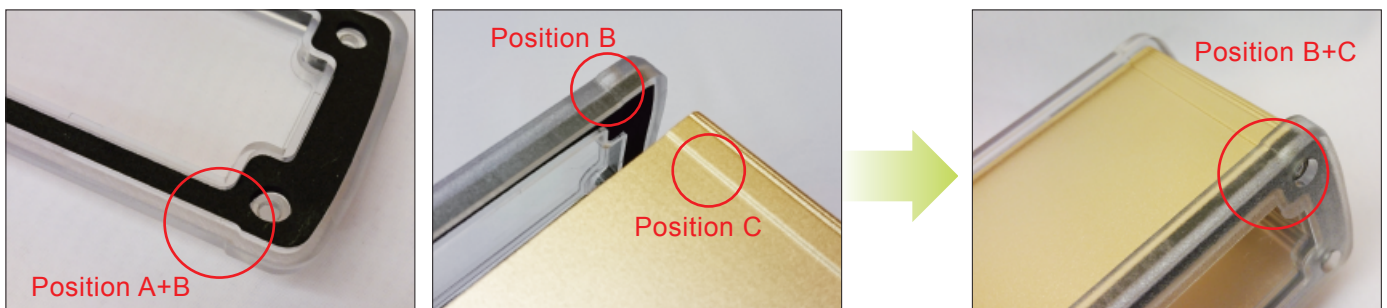
TYPE B

Seal / Plastic cover



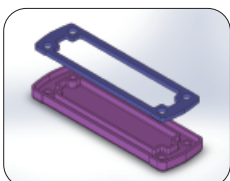
1. Pay attention on the seal
(Position A).

2. Pay attention on the cover
(Position B).



3. Should be installed in the same side.
(position A+B), (position B+C)

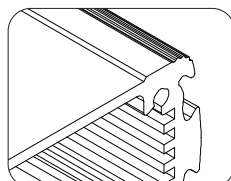
4. Done.



Position A+B

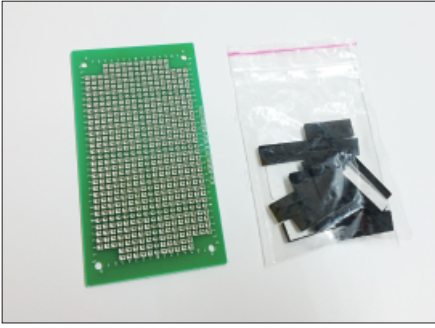


Position B

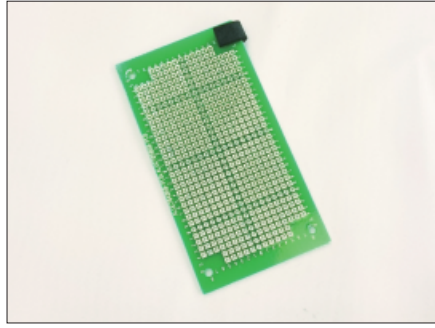


Position C

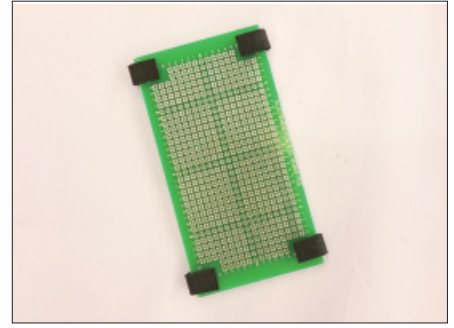
▶ How to use the PCB & PCB Stopper



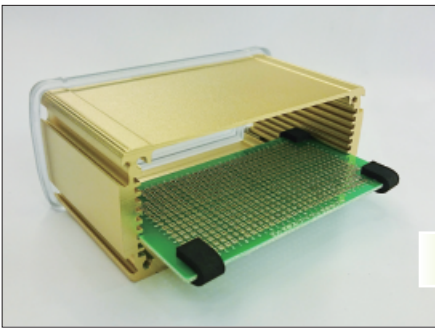
1. PCB / PCB STOPPER



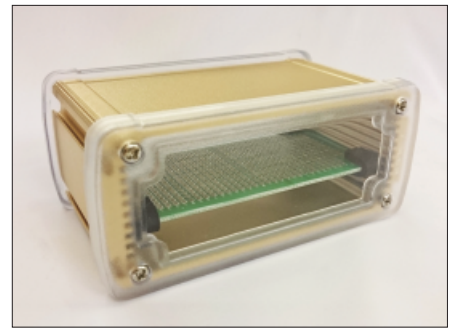
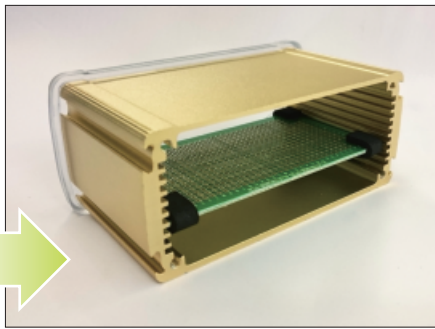
2. Remove the paper from the PCB STOPPER and affix the rubber on the hole of the PCB.



3. Repeat 2 for the other holes.

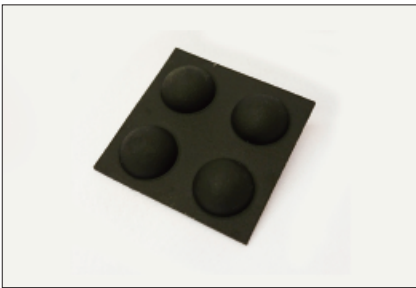


4. Insert the PCB into the extruded body.



5. Done.

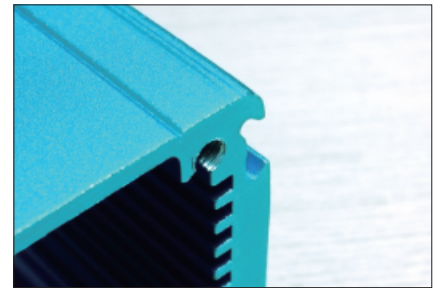
▶ How to affix the rubber feet



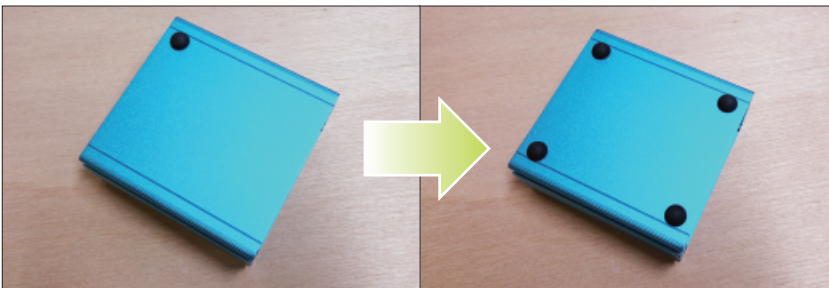
1. Rubber Feet
(4pcs/sheet)



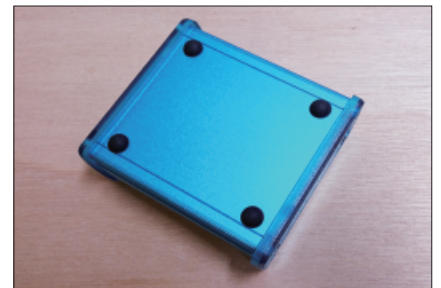
2. Extruded body



3. Rubber feet adhesive line



4. Per the photo, Affix the rubber feet in the extruded body.

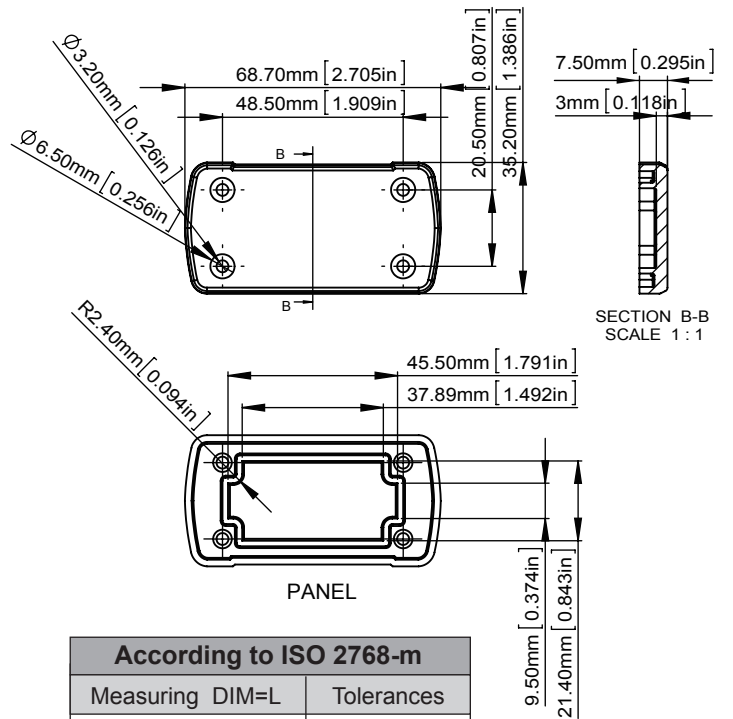
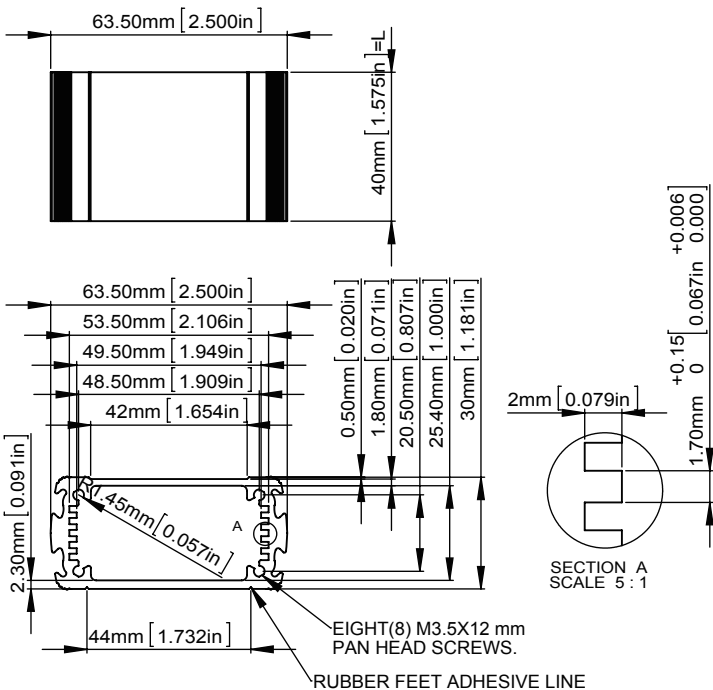
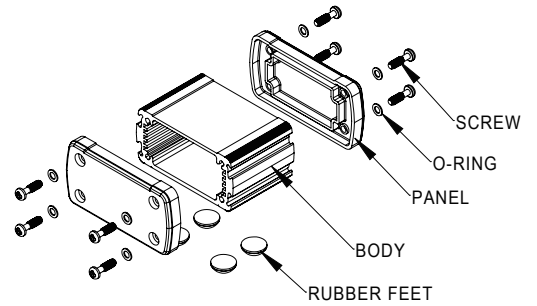
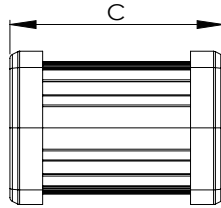
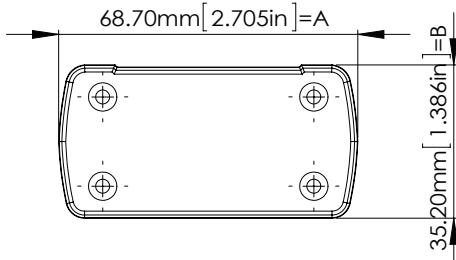


5. Done.

TYPE A

ALUG702XXXX

ITEM NO	BODY	PANEL	O-RING	RUBBER FEET	SCREW	EXTERNAL DIMENSION(mm) AXBXC
ALUG702GD040	ALUMINIUM EXTRUSION 6063/ GOLDEN ANODIZED(PANTONE 4675C)	DIE-CAST ALUMINIUM ADC-12 /PAINTED BLACK(RAL9005)	Ø6X0.5 mm MATERIAL:PC COLOR:CLEAR	Ø12X5 mm MATERIAL:RUBBER (GAINTA ITEM NO:RF-1004) COLOR:BLACK	M3.5X12 mm MATERIAL:STAINLESS SUS 304 COLOR:UNFINISHED	68.7X35.2X49 mm
ALUG702SR040	ALUMINIUM EXTRUSION 6063/ SILVER ANODIZED(PANTONE 877C)					
ALUG702RD040	ALUMINIUM EXTRUSION 6063/ RED ANODIZED(PANTONE 187C)					
ALUG702BU040	ALUMINIUM EXTRUSION 6063/ BLUE ANODIZED(PANTONE 306C)					
ALUG702BK040	ALUMINIUM EXTRUSION 6063/ BLACK ANODIZED(PANTONE BLACK U)					
ALUG702GD080	ALUMINIUM EXTRUSION 6063/ GOLDEN ANODIZED(PANTONE 4675C)	DIE-CAST ALUMINIUM ADC-12 /PAINTED BLACK(RAL9005)	Ø6X0.5 mm MATERIAL:PC COLOR:CLEAR	Ø12X5 mm MATERIAL:RUBBER (GAINTA ITEM NO:RF-1004) COLOR:BLACK	M3.5X12 mm MATERIAL:STAINLESS SUS 304 COLOR:UNFINISHED	68.7X35.2X89 mm
ALUG702SR080	ALUMINIUM EXTRUSION 6063/ SILVER ANODIZED(PANTONE 877C)					
ALUG702RD080	ALUMINIUM EXTRUSION 6063/ RED ANODIZED(PANTONE 187C)					
ALUG702BU080	ALUMINIUM EXTRUSION 6063/ BLUE ANODIZED(PANTONE 306C)					
ALUG702BK080	ALUMINIUM EXTRUSION 6063/ BLACK ANODIZED(PANTONE BLACK U)					
ALUG702GD120	ALUMINIUM EXTRUSION 6063/ GOLDEN ANODIZED(PANTONE 4675C)	DIE-CAST ALUMINIUM ADC-12 /PAINTED BLACK(RAL9005)	Ø6X0.5 mm MATERIAL:PC COLOR:CLEAR	Ø12X5 mm MATERIAL:RUBBER (GAINTA ITEM NO:RF-1004) COLOR:BLACK	M3.5X12 mm MATERIAL:STAINLESS SUS 304 COLOR:UNFINISHED	68.7X35.2X129 mm
ALUG702SR120	ALUMINIUM EXTRUSION 6063/ SILVER ANODIZED(PANTONE 877C)					
ALUG702RD120	ALUMINIUM EXTRUSION 6063/ RED ANODIZED(PANTONE 187C)					
ALUG702BU120	ALUMINIUM EXTRUSION 6063/ BLUE ANODIZED(PANTONE 306C)					
ALUG702BK120	ALUMINIUM EXTRUSION 6063/ BLACK ANODIZED(PANTONE BLACK U)					



ITEM NO.	L(mm)
ALUG702XX040	40 mm
ALUG702XX080	80 mm
ALUG702XX120	120 mm

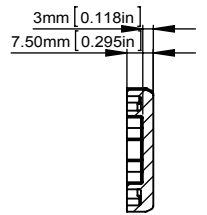
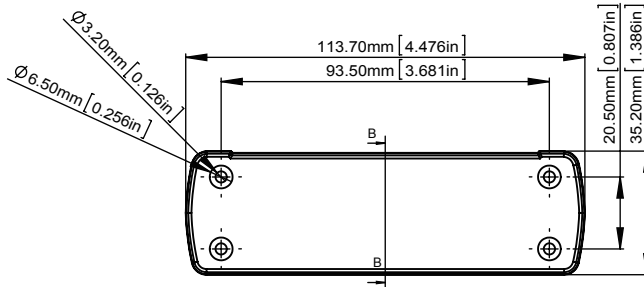
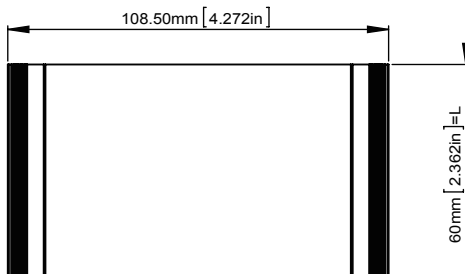
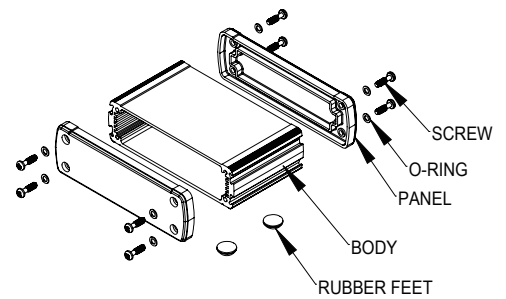
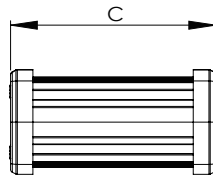
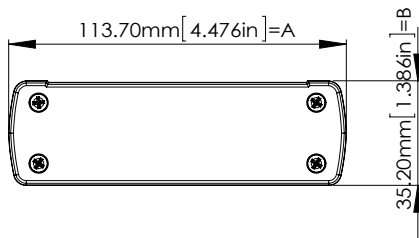
BODY

According to ISO 2768-m	
Measuring DIM=L	Tolerances
0.5 < L ≤ 3.0mm	± 0.1mm
3.0 < L ≤ 6.0mm	± 0.1mm
6.0 < L ≤ 30.0mm	± 0.2mm
30.0 < L ≤ 120.0mm	± 0.3mm
120.0 < L ≤ 400.0mm	± 0.5mm
400.0 < L ≤ 1000.0mm	± 0.8mm

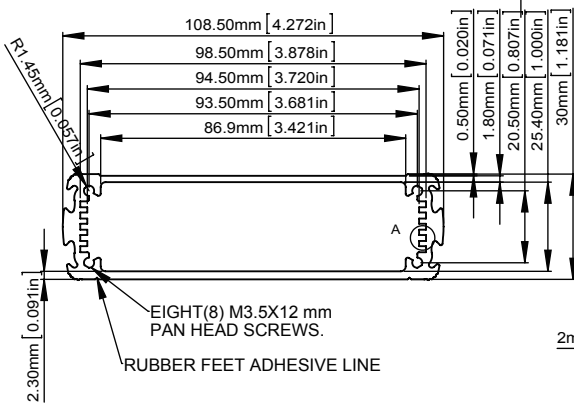
TYPE A

ALUG704XXXXX

ITEM NO	BODY	PANEL	O-RING	RUBBER FEET	SCREW	EXTERNAL DIMENSION(mm) AXBXC
ALUG704GD060	ALUMINIUM EXTRUSION 6063/ GOLDEN ANODIZED(PANTONE 4675C)	DIE-CAST ALUMINIUM ADC-12 /PAINTED BLACK(RAL9005)	Ø6X0.5 mm MATERIAL:PC COLOR:CLEAR	Ø12X5 mm MATERIAL:RUBBER (GAINTA ITEM NO:RF-1004) COLOR:BLACK	M3.5X12 mm MATERIAL:STAINLESS SUS 304 COLOR:UNFINISHED	113.7X35.2X69 mm
ALUG704SR060	ALUMINIUM EXTRUSION 6063/ SILVER ANODIZED(PANTONE 877C)					
ALUG704RD060	ALUMINIUM EXTRUSION 6063/ RED ANODIZED(PANTONE 187C)					
ALUG704BU060	ALUMINIUM EXTRUSION 6063/ BLUE ANODIZED(PANTONE 306C)					
ALUG704BK060	ALUMINIUM EXTRUSION 6063/ BLACK ANODIZED(PANTONE BLACK U)					
ALUG704GD110	ALUMINIUM EXTRUSION 6063/ GOLDEN ANODIZED(PANTONE 4675C)	DIE-CAST ALUMINIUM ADC-12 /PAINTED BLACK(RAL9005)	Ø6X0.5 mm MATERIAL:PC COLOR:CLEAR	Ø12X5 mm MATERIAL:RUBBER (GAINTA ITEM NO:RF-1004) COLOR:BLACK	M3.5X12 mm MATERIAL:STAINLESS SUS 304 COLOR:UNFINISHED	113.7X35.2X119 mm
ALUG704SR110	ALUMINIUM EXTRUSION 6063/ SILVER ANODIZED(PANTONE 877C)					
ALUG704RD110	ALUMINIUM EXTRUSION 6063/ RED ANODIZED(PANTONE 187C)					
ALUG704BU110	ALUMINIUM EXTRUSION 6063/ BLUE ANODIZED(PANTONE 306C)					
ALUG704BK110	ALUMINIUM EXTRUSION 6063/ BLACK ANODIZED(PANTONE BLACK U)					
ALUG704GD160	ALUMINIUM EXTRUSION 6063/ GOLDEN ANODIZED(PANTONE 4675C)	DIE-CAST ALUMINIUM ADC-12 /PAINTED BLACK(RAL9005)	Ø6X0.5 mm MATERIAL:PC COLOR:CLEAR	Ø12X5 mm MATERIAL:RUBBER (GAINTA ITEM NO:RF-1004) COLOR:BLACK	M3.5X12 mm MATERIAL:STAINLESS SUS 304 COLOR:UNFINISHED	113.7X35.2X169 mm
ALUG704SR160	ALUMINIUM EXTRUSION 6063/ SILVER ANODIZED(PANTONE 877C)					
ALUG704RD160	ALUMINIUM EXTRUSION 6063/ RED ANODIZED(PANTONE 187C)					
ALUG704BU160	ALUMINIUM EXTRUSION 6063/ BLUE ANODIZED(PANTONE 306C)					
ALUG704BK160	ALUMINIUM EXTRUSION 6063/ BLACK ANODIZED(PANTONE BLACK U)					

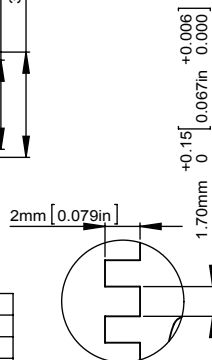


SECTION B-B

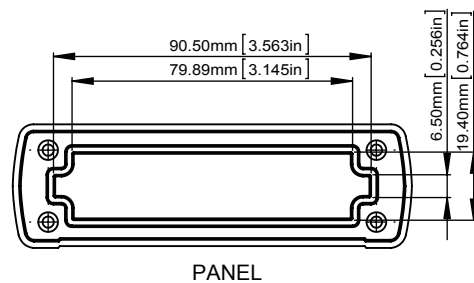


ITEM NO.	L(mm)
ALUG704XX060	60 mm
ALUG704XX110	110 mm
ALUG704XX160	160 mm

BODY



SECTION A
SCALE 5 : 1



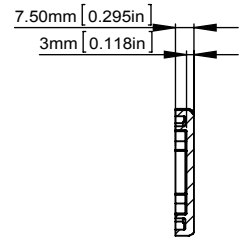
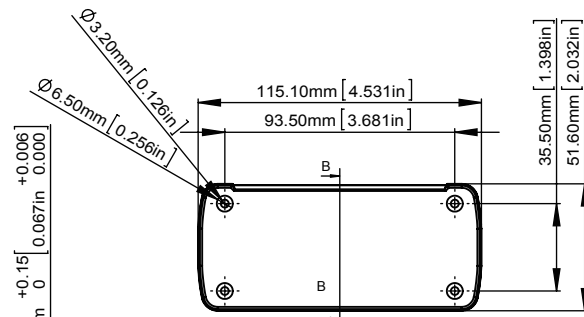
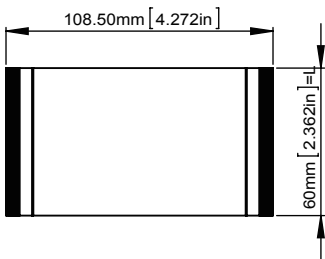
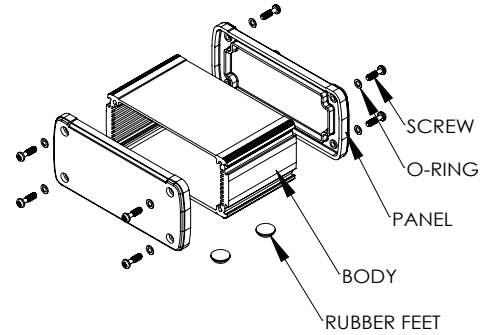
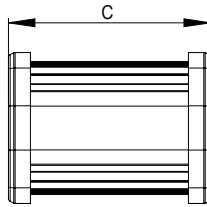
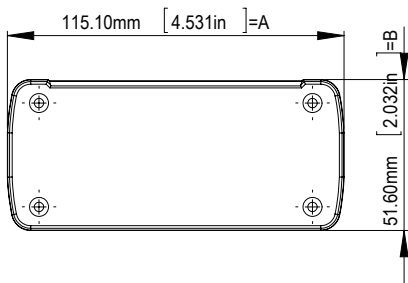
PANEL

According to ISO 2768-m	
Measuring DIM=L	Tolerances
0.5 < L ≤ 3.0mm	± 0.1mm
3.0 < L ≤ 6.0mm	± 0.1mm
6.0 < L ≤ 30.0mm	± 0.2mm
30.0 < L ≤ 120.0mm	± 0.3mm
120.0 < L ≤ 400.0mm	± 0.5mm
400.0 < L ≤ 1000.0mm	± 0.8mm

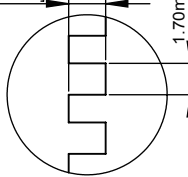
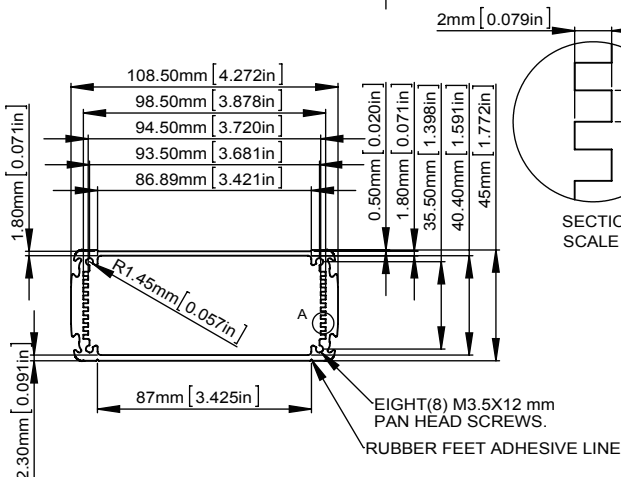
TYPE A

ALUG705XXXXX

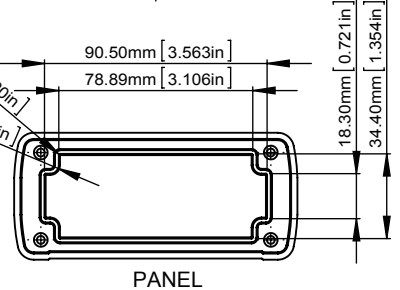
ITEM NO	BODY	PANEL	O-RING	RUBBER FEET	SCREW	EXTERNAL DIMENSION(mm) AXBXC
ALUG705GD060	ALUMINIUM EXTRUSION 6063/ GOLDEN ANODIZED(PANTONE 4675C)	DIE-CAST ALUMINIUM ADC-12 /PAINTED BLACK(RAL9005)	Ø6X0.5 mm MATERIAL:PC COLOR:CLEAR	Ø12X5 mm MATERIAL:RUBBER (GAINTA ITEM NO:RF-1004) COLOR:BLACK	M3.5X12 mm MATERIAL:STAINLESS SUS 304 COLOR:UNFINISHED	115.1X51.6X69 mm
ALUG705SR060	ALUMINIUM EXTRUSION 6063/ SILVER ANODIZED(PANTONE 877C)					
ALUG705RD060	ALUMINIUM EXTRUSION 6063/ RED ANODIZED(PANTONE 187C)					
ALUG705BU060	ALUMINIUM EXTRUSION 6063/ BLUE ANODIZED(PANTONE 306C)					
ALUG705BK060	ALUMINIUM EXTRUSION 6063/ BLACK ANODIZED(PANTONE BLACK U)					
ALUG705GD110	ALUMINIUM EXTRUSION 6063/ GOLDEN ANODIZED(PANTONE 4675C)	DIE-CAST ALUMINIUM ADC-12 /PAINTED BLACK(RAL9005)	Ø6X0.5 mm MATERIAL:PC COLOR:CLEAR	Ø12X5 mm MATERIAL:RUBBER (GAINTA ITEM NO:RF-1004) COLOR:BLACK	M3.5X12 mm MATERIAL:STAINLESS SUS 304 COLOR:UNFINISHED	115.1X51.6X119 mm
ALUG705SR110	ALUMINIUM EXTRUSION 6063/ SILVER ANODIZED(PANTONE 877C)					
ALUG705RD110	ALUMINIUM EXTRUSION 6063/ RED ANODIZED(PANTONE 187C)					
ALUG705BU110	ALUMINIUM EXTRUSION 6063/ BLUE ANODIZED(PANTONE 306C)					
ALUG705BK110	ALUMINIUM EXTRUSION 6063/ BLACK ANODIZED(PANTONE BLACK U)					
ALUG705GD160	ALUMINIUM EXTRUSION 6063/ GOLDEN ANODIZED(PANTONE 4675C)	DIE-CAST ALUMINIUM ADC-12 /PAINTED BLACK(RAL9005)	Ø6X0.5 mm MATERIAL:PC COLOR:CLEAR	Ø12X5 mm MATERIAL:RUBBER (GAINTA ITEM NO:RF-1004) COLOR:BLACK	M3.5X12 mm MATERIAL:STAINLESS SUS 304 COLOR:UNFINISHED	115.1X51.6X169 mm
ALUG705SR160	ALUMINIUM EXTRUSION 6063/ SILVER ANODIZED(PANTONE 877C)					
ALUG705RD160	ALUMINIUM EXTRUSION 6063/ RED ANODIZED(PANTONE 187C)					
ALUG705BU160	ALUMINIUM EXTRUSION 6063/ BLUE ANODIZED(PANTONE 306C)					
ALUG705BK160	ALUMINIUM EXTRUSION 6063/ BLACK ANODIZED(PANTONE BLACK U)					



SECTION B-B
SCALE 2 : 3



SECTION A
SCALE 5 : 1



PANEL

ITEM NO.	L(mm)
ALUG705XX060	60 mm
ALUG705XX110	110 mm
ALUG705XX160	160 mm

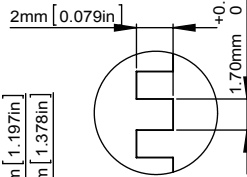
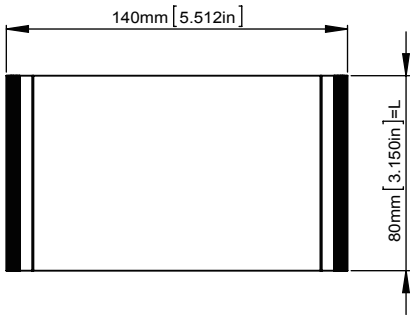
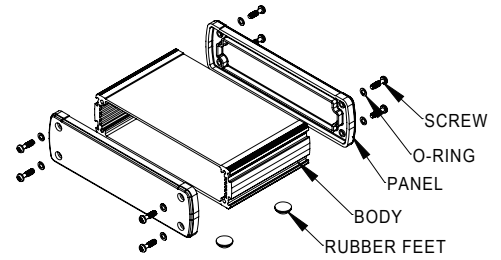
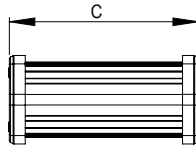
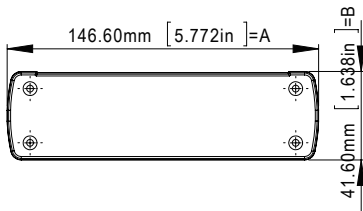
BODY

According to ISO 2768-m	
Measuring DIM=L	Tolerances
0.5 < L ≤ 3.0mm	± 0.1mm
3.0 < L ≤ 6.0mm	± 0.1mm
6.0 < L ≤ 30.0mm	± 0.2mm
30.0 < L ≤ 120.0mm	± 0.3mm
120.0 < L ≤ 400.0mm	± 0.5mm
400.0 < L ≤ 1000.0mm	± 0.8mm

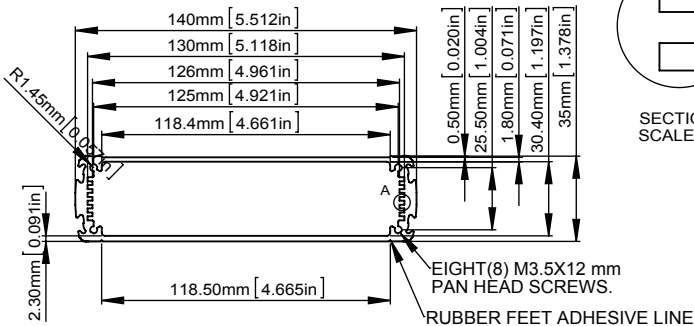
TYPE A

ALUG706XXXX

ITEM NO	BODY	PANEL	O-RING	RUBBER FEET	SCREW	EXTERNAL DIMENSION(mm) AXBXC
ALUG706GD080	ALUMINIUM EXTRUSION 6063/ GOLDEN ANODIZED(PANTONE 4675C)	DIE-CAST ALUMINIUM ADC-12 (PAINTED BLACK(RAL9005))	Ø6X0.5 mm MATERIAL:PC COLOR:CLEAR	Ø12X5 mm MATERIAL:RUBBER (GAINTA ITEM NO:RF-1004) COLOR:BLACK	M3.5X12 mm MATERIAL:STAINLESS SUS 304 COLOR:UNFINISHED	146.6X41.6X89 mm
ALUG706SR080	ALUMINIUM EXTRUSION 6063/ SILVER ANODIZED(PANTONE 877C)					
ALUG706RD080	ALUMINIUM EXTRUSION 6063/ RED ANODIZED(PANTONE 187C)					
ALUG706BU080	ALUMINIUM EXTRUSION 6063/ BLUE ANODIZED(PANTONE 306C)					
ALUG706BK080	ALUMINIUM EXTRUSION 6063/ BLACK ANODIZED(PANTONE BLACK U)					
ALUG706GD120	ALUMINIUM EXTRUSION 6063/ GOLDEN ANODIZED(PANTONE 4675C)	DIE-CAST ALUMINIUM ADC-12 (PAINTED BLACK(RAL9005))	Ø6X0.5 mm MATERIAL:PC COLOR:CLEAR	Ø12X5 mm MATERIAL:RUBBER (GAINTA ITEM NO:RF-1004) COLOR:BLACK	M3.5X12 mm MATERIAL:STAINLESS SUS 304 COLOR:UNFINISHED	146.6X41.6X129 mm
ALUG706SR120	ALUMINIUM EXTRUSION 6063/ SILVER ANODIZED(PANTONE 877C)					
ALUG706RD120	ALUMINIUM EXTRUSION 6063/ RED ANODIZED(PANTONE 187C)					
ALUG706BU120	ALUMINIUM EXTRUSION 6063/ BLUE ANODIZED(PANTONE 306C)					
ALUG706BK120	ALUMINIUM EXTRUSION 6063/ BLACK ANODIZED(PANTONE BLACK U)					
ALUG706GD160	ALUMINIUM EXTRUSION 6063/ GOLDEN ANODIZED(PANTONE 4675C)	DIE-CAST ALUMINIUM ADC-12 (PAINTED BLACK(RAL9005))	Ø6X0.5 mm MATERIAL:PC COLOR:CLEAR	Ø12X5 mm MATERIAL:RUBBER (GAINTA ITEM NO:RF-1004) COLOR:BLACK	M3.5X12 mm MATERIAL:STAINLESS SUS 304 COLOR:UNFINISHED	146.6X41.6X169 mm
ALUG706SR160	ALUMINIUM EXTRUSION 6063/ SILVER ANODIZED(PANTONE 877C)					
ALUG706RD160	ALUMINIUM EXTRUSION 6063/ RED ANODIZED(PANTONE 187C)					
ALUG706BU160	ALUMINIUM EXTRUSION 6063/ BLUE ANODIZED(PANTONE 306C)					
ALUG706BK160	ALUMINIUM EXTRUSION 6063/ BLACK ANODIZED(PANTONE BLACK U)					
ALUG706GD200	ALUMINIUM EXTRUSION 6063/ GOLDEN ANODIZED(PANTONE 4675C)	DIE-CAST ALUMINIUM ADC-12 (PAINTED BLACK(RAL9005))	Ø6X0.5 mm MATERIAL:PC COLOR:CLEAR	Ø12X5 mm MATERIAL:RUBBER (GAINTA ITEM NO:RF-1004) COLOR:BLACK	M3.5X12 mm MATERIAL:STAINLESS SUS 304 COLOR:UNFINISHED	146.6X41.6X209 mm
ALUG706SR200	ALUMINIUM EXTRUSION 6063/ SILVER ANODIZED(PANTONE 877C)					
ALUG706RD200	ALUMINIUM EXTRUSION 6063/ RED ANODIZED(PANTONE 187C)					
ALUG706BU200	ALUMINIUM EXTRUSION 6063/ BLUE ANODIZED(PANTONE 306C)					
ALUG706BK200	ALUMINIUM EXTRUSION 6063/ BLACK ANODIZED(PANTONE BLACK U)					

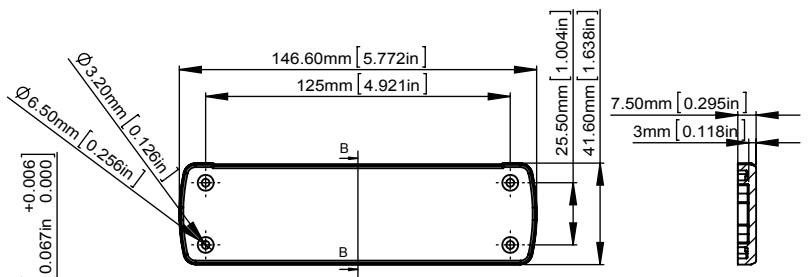


SECTION A
SCALE 5 : 1

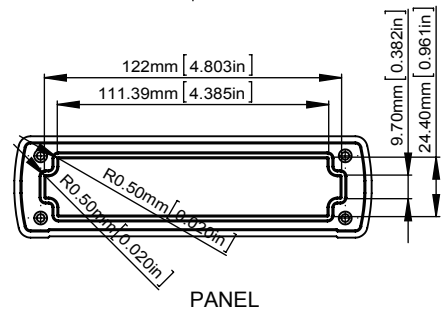


ITEM NO.	L(mm)
ALUG706XX080	80 mm
ALUG706XX120	120 mm
ALUG706XX160	160 mm
ALUG706XX200	200 mm

BODY



SECTION B-B
SCALE 2 : 3



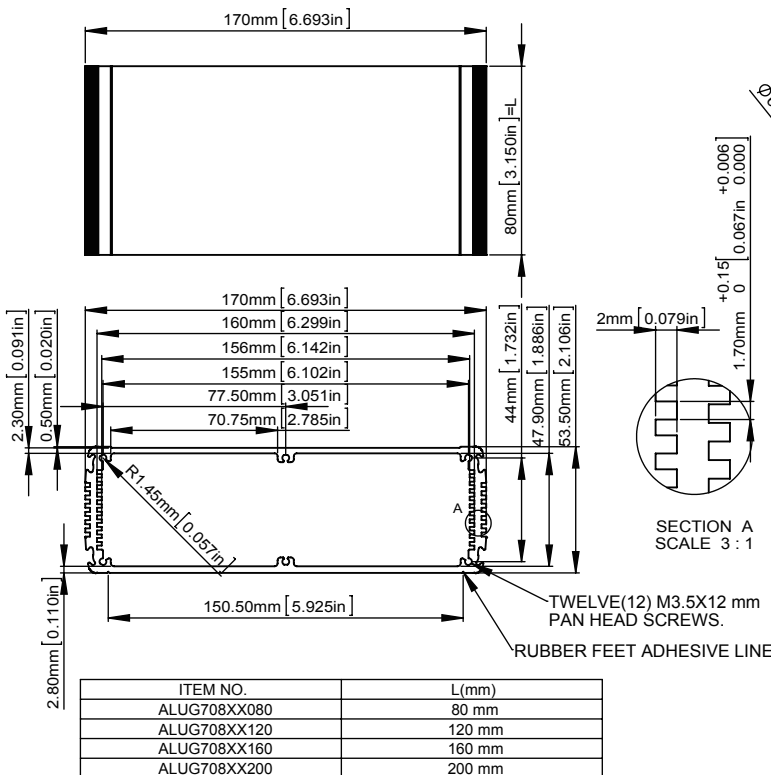
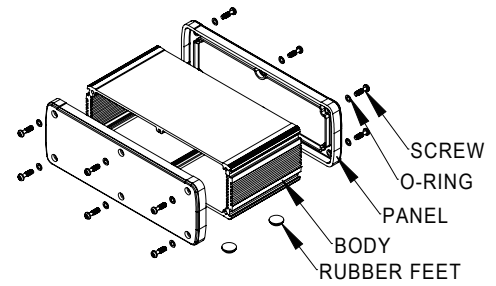
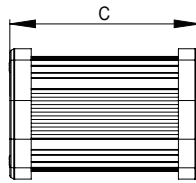
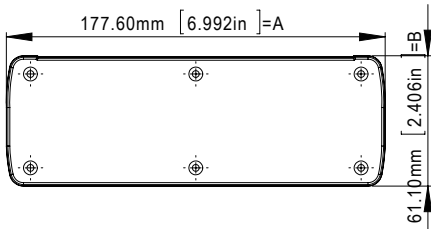
PANEL

According to ISO 2768-m	
Measuring DIM=L	Tolerances
0.5 < L ≤ 3.0mm	± 0.1mm
3.0 < L ≤ 6.0mm	± 0.1mm
6.0 < L ≤ 30.0mm	± 0.2mm
30.0 < L ≤ 120.0mm	± 0.3mm
120.0 < L ≤ 400.0mm	± 0.5mm
400.0 < L ≤ 1000.0mm	± 0.8mm

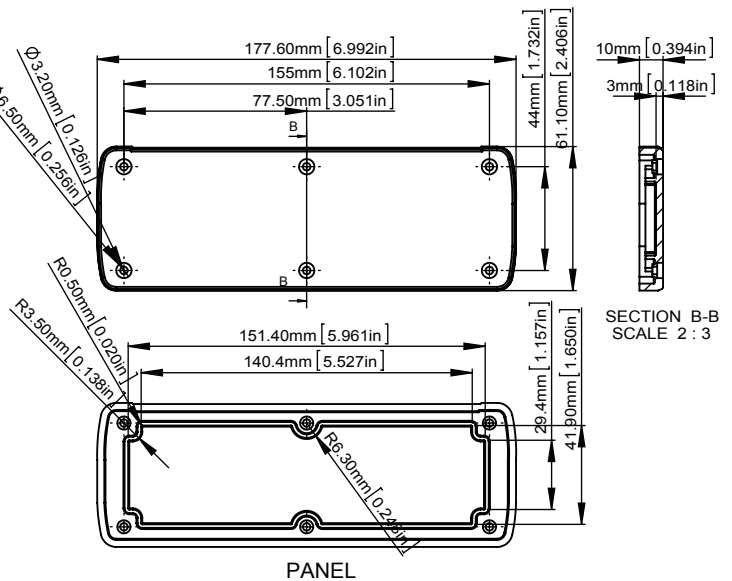
TYPE A

ALUG708XXXX

ITEM NO	BODY	PANEL	O-RING	RUBBER FEET	SCREW	EXTERNAL DIMENSION(mm) AXBXC
ALUG708GD080	ALUMINIUM EXTRUSION 6063/ GOLDEN ANODIZED(PANTONE 4675C)	DIE-CAST ALUMINIUM ADC-12 /PAINTED BLACK(RAL9005)	Ø6X0.5 mm MATERIAL:PC COLOR:CLEAR	Ø12X5 mm MATERIAL:RUBBER (GAINTA ITEM NO:RF-1004) COLOR:BLACK	M3.5X12 mm MATERIAL:STAINLESS SUS 304 COLOR:UNFINISHED	177.6X61.1X89 mm
ALUG708SR080	ALUMINIUM EXTRUSION 6063/ SILVER ANODIZED(PANTONE 877C)					
ALUG708RD080	ALUMINIUM EXTRUSION 6063/ RED ANODIZED(PANTONE 187C)					
ALUG708BU080	ALUMINIUM EXTRUSION 6063/ BLUE ANODIZED(PANTONE 306C)					
ALUG708BK080	ALUMINIUM EXTRUSION 6063/ BLACK ANODIZED(PANTONE BLACK U)					
ALUG708GD120	ALUMINIUM EXTRUSION 6063/ GOLDEN ANODIZED(PANTONE 4675C)	DIE-CAST ALUMINIUM ADC-12 /PAINTED BLACK(RAL9005)	Ø6X0.5 mm MATERIAL:PC COLOR:CLEAR	Ø12X5 mm MATERIAL:RUBBER (GAINTA ITEM NO:RF-1004) COLOR:BLACK	M3.5X12 mm MATERIAL:STAINLESS SUS 304 COLOR:UNFINISHED	177.6X61.1X129 mm
ALUG708SR120	ALUMINIUM EXTRUSION 6063/ SILVER ANODIZED(PANTONE 877C)					
ALUG708RD120	ALUMINIUM EXTRUSION 6063/ RED ANODIZED(PANTONE 187C)					
ALUG708BU120	ALUMINIUM EXTRUSION 6063/ BLUE ANODIZED(PANTONE 306C)					
ALUG708BK120	ALUMINIUM EXTRUSION 6063/ BLACK ANODIZED(PANTONE BLACK U)					
ALUG708GD160	ALUMINIUM EXTRUSION 6063/ GOLDEN ANODIZED(PANTONE 4675C)	DIE-CAST ALUMINIUM ADC-12 /PAINTED BLACK(RAL9005)	Ø6X0.5 mm MATERIAL:PC COLOR:CLEAR	Ø12X5 mm MATERIAL:RUBBER (GAINTA ITEM NO:RF-1004) COLOR:BLACK	M3.5X12 mm MATERIAL:STAINLESS SUS 304 COLOR:UNFINISHED	177.6X61.1X169 mm
ALUG708SR160	ALUMINIUM EXTRUSION 6063/ SILVER ANODIZED(PANTONE 877C)					
ALUG708RD160	ALUMINIUM EXTRUSION 6063/ RED ANODIZED(PANTONE 187C)					
ALUG708BU160	ALUMINIUM EXTRUSION 6063/ BLUE ANODIZED(PANTONE 306C)					
ALUG708BK160	ALUMINIUM EXTRUSION 6063/ BLACK ANODIZED(PANTONE BLACK U)					
ALUG708GD200	ALUMINIUM EXTRUSION 6063/ GOLDEN ANODIZED(PANTONE 4675C)	DIE-CAST ALUMINIUM ADC-12 /PAINTED BLACK(RAL9005)	Ø6X0.5 mm MATERIAL:PC COLOR:CLEAR	Ø12X5 mm MATERIAL:RUBBER (GAINTA ITEM NO:RF-1004) COLOR:BLACK	M3.5X12 mm MATERIAL:STAINLESS SUS 304 COLOR:UNFINISHED	177.6X61.1X209 mm
ALUG708SR200	ALUMINIUM EXTRUSION 6063/ SILVER ANODIZED(PANTONE 877C)					
ALUG708RD200	ALUMINIUM EXTRUSION 6063/ RED ANODIZED(PANTONE 187C)					
ALUG708BU200	ALUMINIUM EXTRUSION 6063/ BLUE ANODIZED(PANTONE 306C)					
ALUG708BK200	ALUMINIUM EXTRUSION 6063/ BLACK ANODIZED(PANTONE BLACK U)					



BODY



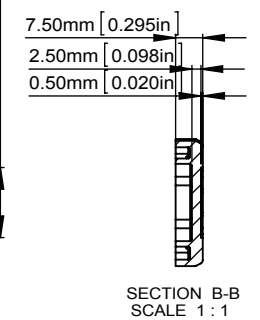
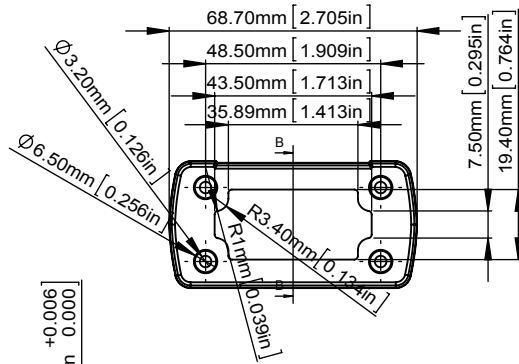
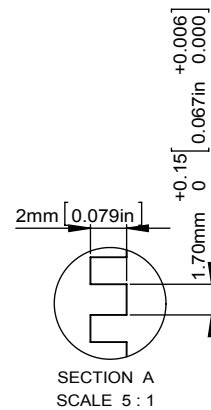
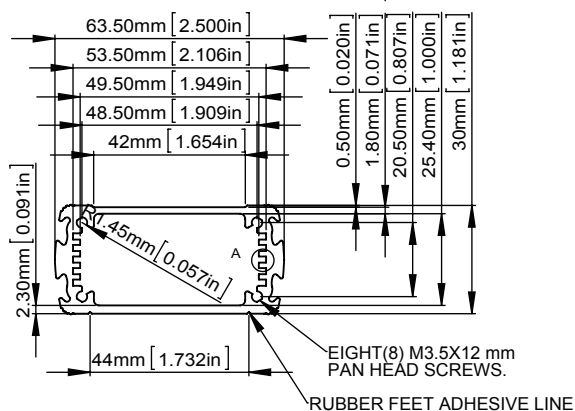
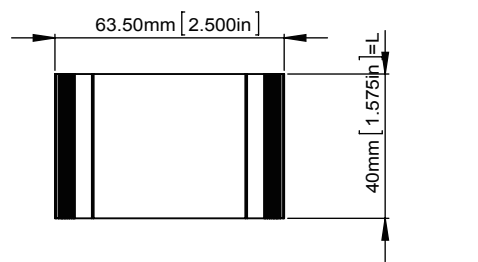
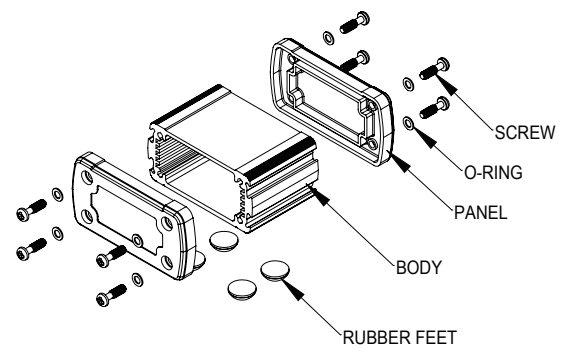
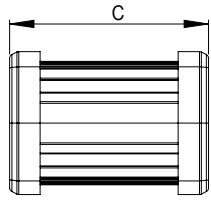
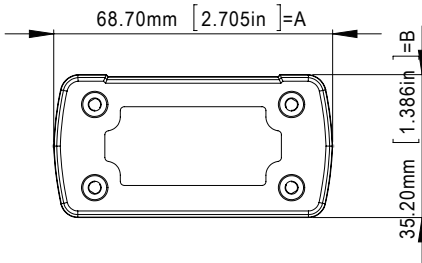
PANEL

According to ISO 2768-m	
Measuring DIM=L	Tolerances
0.5 < L ≤ 3.0mm	± 0.1mm
3.0 < L ≤ 6.0mm	± 0.1mm
6.0 < L ≤ 30.0mm	± 0.2mm
30.0 < L ≤ 120.0mm	± 0.3mm
120.0 < L ≤ 400.0mm	± 0.5mm
400.0 < L ≤ 1000.0mm	± 0.8mm

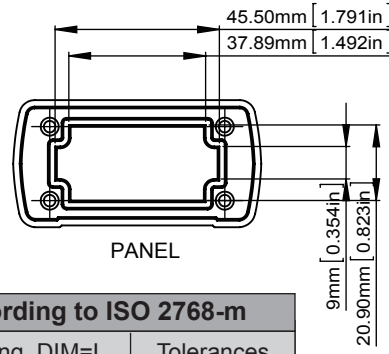
TYPE B

ALUG702XXXX-XXX

ITEM NO	BODY	PANEL	O-RING	RUBBER FEET	SCREW	EXTERNAL DIMENSION(mm) AXBXC
ALUG702GD040-C	ALUMINIUM EXTRUSION 6063/ GOLDEN ANODIZED(PANTONE 4675C)	UL94-V0 OF POLYCARBONATE/CLEAR	Ø6X0.5 mm MATERIAL:PC COLOR:CLEAR	Ø12X5 mm MATERIAL:RUBBER (GAINTA ITEM NO:RF-1004) COLOR:BLACK	M3.5X12 mm MATERIAL:STAINLESS SUS 304 COLOR:UNFINISHED	68.7X35.2X49 mm
ALUG702SR040-C	ALUMINIUM EXTRUSION 6063/ SILVER ANODIZED(PANTONE 877C)	UL94-V0 OF POLYCARBONATE/CLEAR				
ALUG702RD040-IR	ALUMINIUM EXTRUSION 6063/ RED ANODIZED(PANTONE 187C)	UL94-V0 OF POLYCARBONATE/TRANSLUCENT RED				
ALUG702BU040-CBU	ALUMINIUM EXTRUSION 6063/ BLUE ANODIZED(PANTONE 306C)	UL94-V0 OF POLYCARBONATE/TRANSLUCENT BLUE				
ALUG702BK040-BK	ALUMINIUM EXTRUSION 6063/ BLACK ANODIZED(PANTONE BLACK U)	UL94-V0 OF POLYCARBONATE/BLACK				
ALUG702GD080-C	ALUMINIUM EXTRUSION 6063/ GOLDEN ANODIZED(PANTONE 4675C)	UL94-V0 OF POLYCARBONATE/CLEAR	Ø6X0.5 mm MATERIAL:PC COLOR:CLEAR	Ø12X5 mm MATERIAL:RUBBER (GAINTA ITEM NO:RF-1004) COLOR:BLACK	M3.5X12 mm MATERIAL:STAINLESS SUS 304 COLOR:UNFINISHED	68.7X35.2X89 mm
ALUG702SR080-C	ALUMINIUM EXTRUSION 6063/ SILVER ANODIZED(PANTONE 877C)	UL94-V0 OF POLYCARBONATE/CLEAR				
ALUG702RD080-IR	ALUMINIUM EXTRUSION 6063/ RED ANODIZED(PANTONE 187C)	UL94-V0 OF POLYCARBONATE/TRANSLUCENT RED				
ALUG702BU080-CBU	ALUMINIUM EXTRUSION 6063/ BLUE ANODIZED(PANTONE 306C)	UL94-V0 OF POLYCARBONATE/TRANSLUCENT BLUE				
ALUG702BK080-BK	ALUMINIUM EXTRUSION 6063/ BLACK ANODIZED(PANTONE BLACK U)	UL94-V0 OF POLYCARBONATE/BLACK				
ALUG702GD120-C	ALUMINIUM EXTRUSION 6063/ GOLDEN ANODIZED(PANTONE 4675C)	UL94-V0 OF POLYCARBONATE/CLEAR	Ø6X0.5 mm MATERIAL:PC COLOR:CLEAR	Ø12X5 mm MATERIAL:RUBBER (GAINTA ITEM NO:RF-1004) COLOR:BLACK	M3.5X12 mm MATERIAL:STAINLESS SUS 304 COLOR:UNFINISHED	68.7X35.2X129 mm
ALUG702SR120-C	ALUMINIUM EXTRUSION 6063/ SILVER ANODIZED(PANTONE 877C)	UL94-V0 OF POLYCARBONATE/CLEAR				
ALUG702RD120-IR	ALUMINIUM EXTRUSION 6063/ RED ANODIZED(PANTONE 187C)	UL94-V0 OF POLYCARBONATE/TRANSLUCENT RED				
ALUG702BU120-CBU	ALUMINIUM EXTRUSION 6063/ BLUE ANODIZED(PANTONE 306C)	UL94-V0 OF POLYCARBONATE/TRANSLUCENT BLUE				
ALUG702BK120-BK	ALUMINIUM EXTRUSION 6063/ BLACK ANODIZED(PANTONE BLACK U)	UL94-V0 OF POLYCARBONATE/BLACK				



SECTION B-B
SCALE 1 : 1



PANEL

ITEM NO.	L(mm)
ALUG702XX040-XXX	40 mm
ALUG702XX080-XXX	80 mm
ALUG702XX120-XXX	120 mm

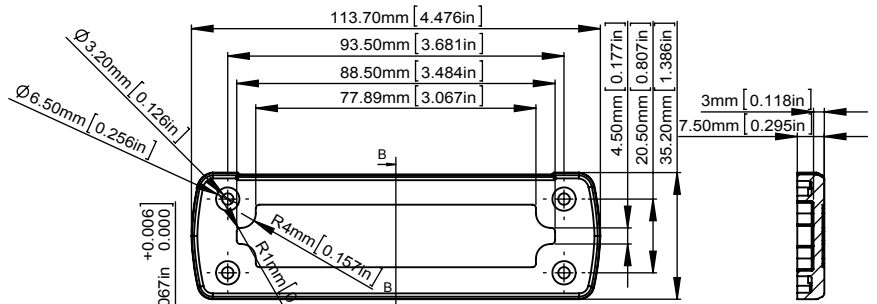
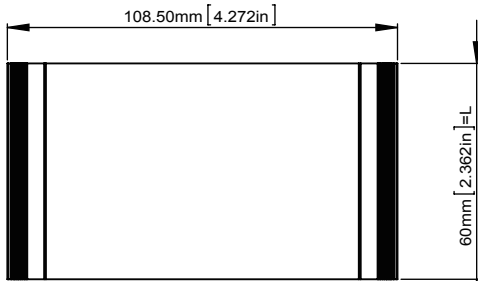
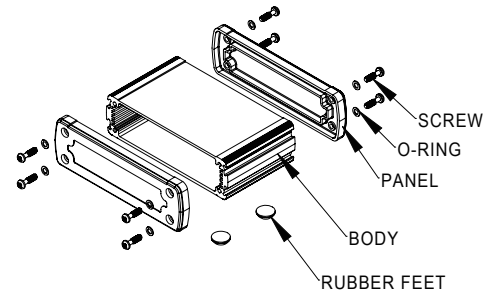
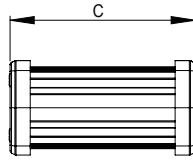
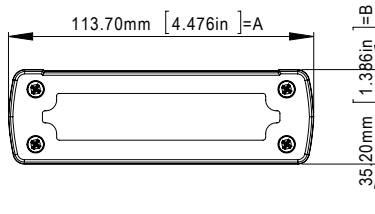
BODY

According to ISO 2768-m	
Measuring DIM=L	Tolerances
0.5 < L ≤ 3.0mm	± 0.1mm
3.0 < L ≤ 6.0mm	± 0.1mm
6.0 < L ≤ 30.0mm	± 0.2mm
30.0 < L ≤ 120.0mm	± 0.3mm
120.0 < L ≤ 400.0mm	± 0.5mm
400.0 < L ≤ 1000.0mm	± 0.8mm

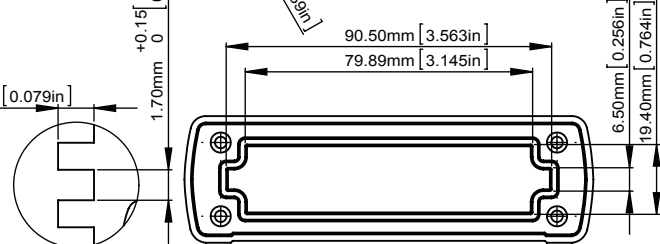
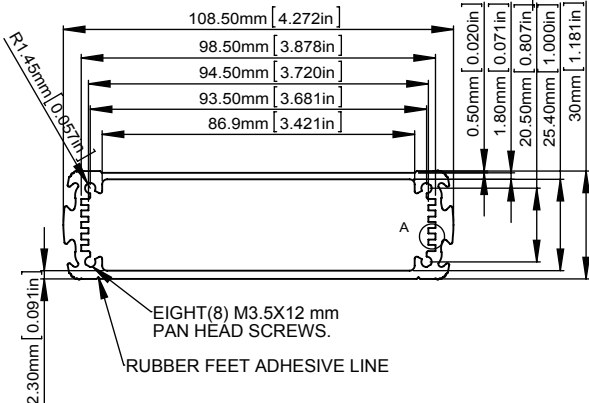
TYPE B

ALUG704XXXXX-XXX

ITEM NO	BODY	PANEL	O-RING	RUBBER FEET	SCREW	EXTERNAL DIMENSION(mm) AXBXC
ALUG704GD060-C	ALUMINIUM EXTRUSION 6063/ GOLDEN ANODIZED(PANTONE 4675C)	UL94-V0 OF POLYCARBONATE/CLEAR	Ø6X0.5 mm MATERIAL:PC COLOR:CLEAR	Ø12X5 mm MATERIAL:RUBBER (GAINTA ITEM NO:RF-1004) COLOR:BLACK	M3.5X12 mm MATERIAL:STAINLESS SUS 304 COLOR:UNFINISHED	113.7X35.2X69 mm
ALUG704SR060-C	ALUMINIUM EXTRUSION 6063/ SILVER ANODIZED(PANTONE 877C)	UL94-V0 OF POLYCARBONATE/CLEAR				
ALUG704RD060-IR	ALUMINIUM EXTRUSION 6063/ RED ANODIZED(PANTONE 187C)	UL94-V0 OF POLYCARBONATE/TRANSLUCENT RED				
ALUG704BU060-CBU	ALUMINIUM EXTRUSION 6063/ BLUE ANODIZED(PANTONE 306C)	UL94-V0 OF POLYCARBONATE/TRANSLUCENT BLUE				
ALUG704BK060-BK	ALUMINIUM EXTRUSION 6063/ BLACK ANODIZED(PANTONE BLACK U)	UL94-V0 OF POLYCARBONATE/BLACK				
ALUG704GD110-C	ALUMINIUM EXTRUSION 6063/ GOLDEN ANODIZED(PANTONE 4675C)	UL94-V0 OF POLYCARBONATE/CLEAR	Ø6X0.5 mm MATERIAL:PC COLOR:CLEAR	Ø12X5 mm MATERIAL:RUBBER (GAINTA ITEM NO:RF-1004) COLOR:BLACK	M3.5X12 mm MATERIAL:STAINLESS SUS 304 COLOR:UNFINISHED	113.7X35.2X119 mm
ALUG704SR110-C	ALUMINIUM EXTRUSION 6063/ SILVER ANODIZED(PANTONE 877C)	UL94-V0 OF POLYCARBONATE/CLEAR				
ALUG704RD110-IR	ALUMINIUM EXTRUSION 6063/ RED ANODIZED(PANTONE 187C)	UL94-V0 OF POLYCARBONATE/TRANSLUCENT RED				
ALUG704BU110-CBU	ALUMINIUM EXTRUSION 6063/ BLUE ANODIZED(PANTONE 306C)	UL94-V0 OF POLYCARBONATE/TRANSLUCENT BLUE				
ALUG704BK110-BK	ALUMINIUM EXTRUSION 6063/ BLACK ANODIZED(PANTONE BLACK U)	UL94-V0 OF POLYCARBONATE/BLACK				
ALUG704GD160-C	ALUMINIUM EXTRUSION 6063/ GOLDEN ANODIZED(PANTONE 4675C)	UL94-V0 OF POLYCARBONATE/CLEAR	Ø6X0.5 mm MATERIAL:PC COLOR:CLEAR	Ø12X5 mm MATERIAL:RUBBER (GAINTA ITEM NO:RF-1004) COLOR:BLACK	M3.5X12 mm MATERIAL:STAINLESS SUS 304 COLOR:UNFINISHED	113.7X35.2X169 mm
ALUG704SR160-C	ALUMINIUM EXTRUSION 6063/ SILVER ANODIZED(PANTONE 877C)	UL94-V0 OF POLYCARBONATE/CLEAR				
ALUG704RD160-IR	ALUMINIUM EXTRUSION 6063/ RED ANODIZED(PANTONE 187C)	UL94-V0 OF POLYCARBONATE/TRANSLUCENT RED				
ALUG704BU160-CBU	ALUMINIUM EXTRUSION 6063/ BLUE ANODIZED(PANTONE 306C)	UL94-V0 OF POLYCARBONATE/TRANSLUCENT BLUE				
ALUG704BK160-BK	ALUMINIUM EXTRUSION 6063/ BLACK ANODIZED(PANTONE BLACK U)	UL94-V0 OF POLYCARBONATE/BLACK				



SECTION B-B



SECTION A
SCALE 5 : 1

PANEL

ITEM NO.	L(mm)
ALUG704XX060-XXX	60 mm
ALUG704XX110-XXX	110 mm
ALUG704XX160-XXX	160 mm

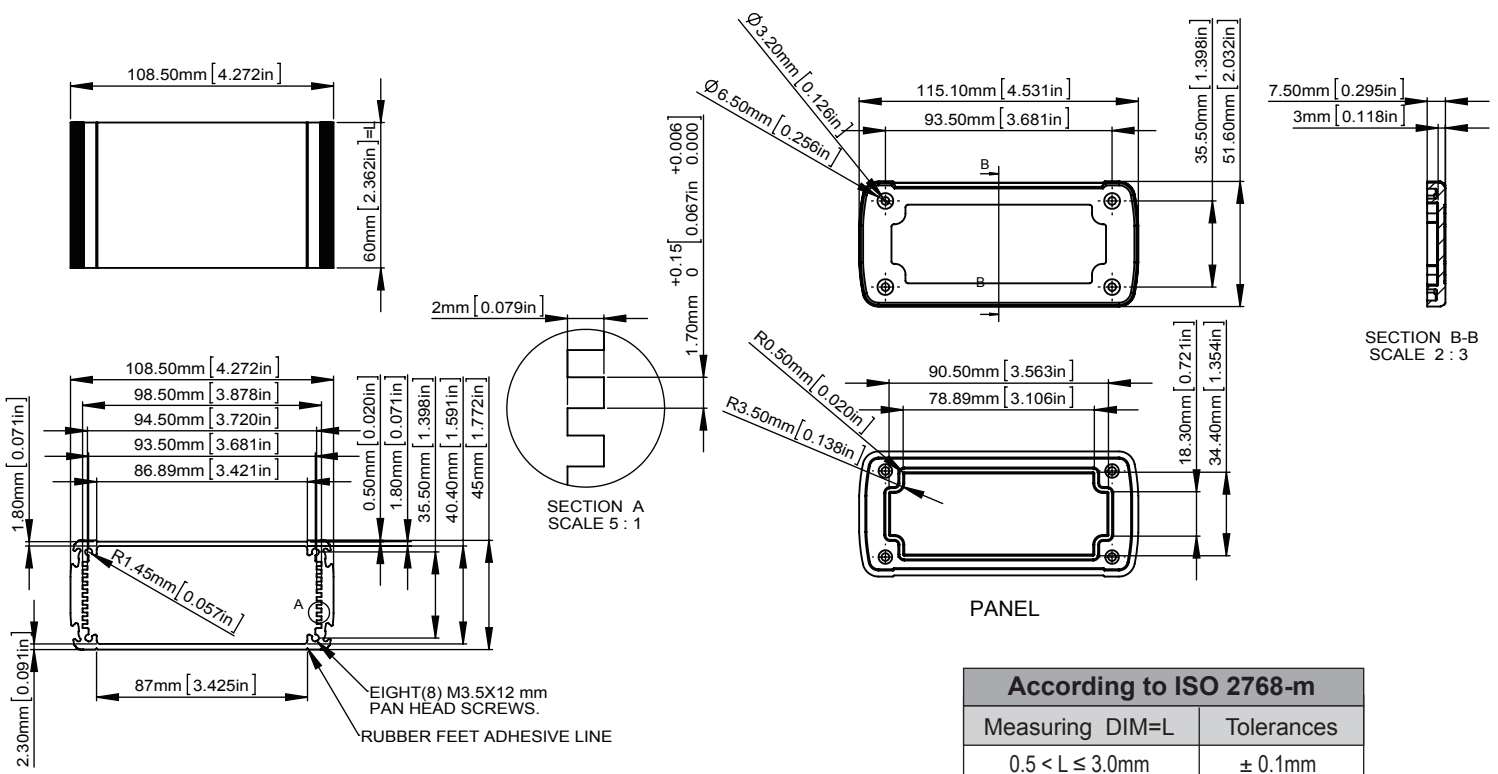
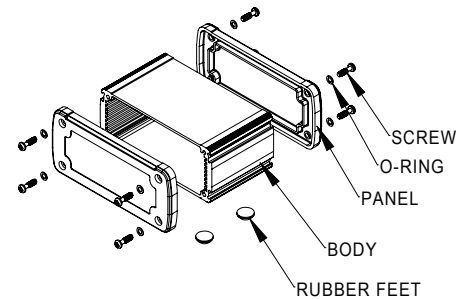
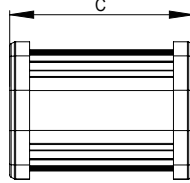
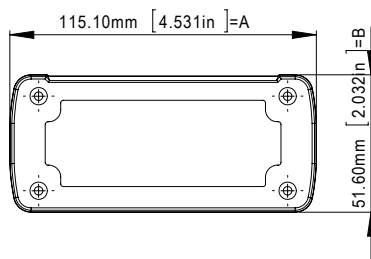
BODY

According to ISO 2768-m	
Measuring DIM=L	Tolerances
0.5 < L ≤ 3.0mm	± 0.1mm
3.0 < L ≤ 6.0mm	± 0.1mm
6.0 < L ≤ 30.0mm	± 0.2mm
30.0 < L ≤ 120.0mm	± 0.3mm
120.0 < L ≤ 400.0mm	± 0.5mm
400.0 < L ≤ 1000.0mm	± 0.8mm

TYPE B

ALUG705XXXXX-XXX

ITEM NO	BODY	PANEL	O-RING	RUBBER FEET	SCREW	EXTERNAL DIMENSION(mm) AXBXC
ALUG705GD060-C	ALUMINIUM EXTRUSION 6063/ GOLDEN ANODIZED(PANTONE 4675C)	UL94-V0 OF POLYCARBONATE/CLEAR	Ø6X0.5 mm MATERIAL:PC COLOR:CLEAR	Ø12X5 mm MATERIAL:RUBBER (GAINTA ITEM NO:RF-1004) COLOR:BLACK	M3.5X12 mm MATERIAL:STAINLESS SUS 304 COLOR:UNFINISHED	115.1X51.6X69 mm
ALUG705SR060-C	ALUMINIUM EXTRUSION 6063/ SILVER ANODIZED(PANTONE 877C)	UL94-V0 OF POLYCARBONATE/CLEAR				
ALUG705RD060-IR	ALUMINIUM EXTRUSION 6063/ RED ANODIZED(PANTONE 187C)	UL94-V0 OF POLYCARBONATE/TRANSLUCENT RED				
ALUG705BU060-CBU	ALUMINIUM EXTRUSION 6063/ BLUE ANODIZED(PANTONE 306C)	UL94-V0 OF POLYCARBONATE/TRANSLUCENT BLUE				
ALUG705BK060-BK	ALUMINIUM EXTRUSION 6063/ BLACK ANODIZED(PANTONE BLACK U)	UL94-V0 OF POLYCARBONATE/BLACK				
ALUG705GD110-C	ALUMINIUM EXTRUSION 6063/ GOLDEN ANODIZED(PANTONE 4675C)	UL94-V0 OF POLYCARBONATE/CLEAR	Ø6X0.5 mm MATERIAL:PC COLOR:CLEAR	Ø12X5 mm MATERIAL:RUBBER (GAINTA ITEM NO:RF-1004) COLOR:BLACK	M3.5X12 mm MATERIAL:STAINLESS SUS 304 COLOR:UNFINISHED	115.1X51.6X119 mm
ALUG705SR110-C	ALUMINIUM EXTRUSION 6063/ SILVER ANODIZED(PANTONE 877C)	UL94-V0 OF POLYCARBONATE/CLEAR				
ALUG705RD110-IR	ALUMINIUM EXTRUSION 6063/ RED ANODIZED(PANTONE 187C)	UL94-V0 OF POLYCARBONATE/TRANSLUCENT RED				
ALUG705BU110-CBU	ALUMINIUM EXTRUSION 6063/ BLUE ANODIZED(PANTONE 306C)	UL94-V0 OF POLYCARBONATE/TRANSLUCENT BLUE				
ALUG705BK110-BK	ALUMINIUM EXTRUSION 6063/ BLACK ANODIZED(PANTONE BLACK U)	UL94-V0 OF POLYCARBONATE/BLACK				
ALUG705GD160-C	ALUMINIUM EXTRUSION 6063/ GOLDEN ANODIZED(PANTONE 4675C)	UL94-V0 OF POLYCARBONATE/CLEAR	Ø6X0.5 mm MATERIAL:PC COLOR:CLEAR	Ø12X5 mm MATERIAL:RUBBER (GAINTA ITEM NO:RF-1004) COLOR:BLACK	M3.5X12 mm MATERIAL:STAINLESS SUS 304 COLOR:UNFINISHED	115.1X51.6X169 mm
ALUG705SR160-C	ALUMINIUM EXTRUSION 6063/ SILVER ANODIZED(PANTONE 877C)	UL94-V0 OF POLYCARBONATE/CLEAR				
ALUG705RD160-IR	ALUMINIUM EXTRUSION 6063/ RED ANODIZED(PANTONE 187C)	UL94-V0 OF POLYCARBONATE/TRANSLUCENT RED				
ALUG705BU160-CBU	ALUMINIUM EXTRUSION 6063/ BLUE ANODIZED(PANTONE 306C)	UL94-V0 OF POLYCARBONATE/TRANSLUCENT BLUE				
ALUG705BK160-BK	ALUMINIUM EXTRUSION 6063/ BLACK ANODIZED(PANTONE BLACK U)	UL94-V0 OF POLYCARBONATE/BLACK				



ITEM NO.	L(mm)
ALUG705XX060-XXX	60 mm
ALUG705XX110-XXX	110 mm
ALUG705XX160-XXX	160 mm

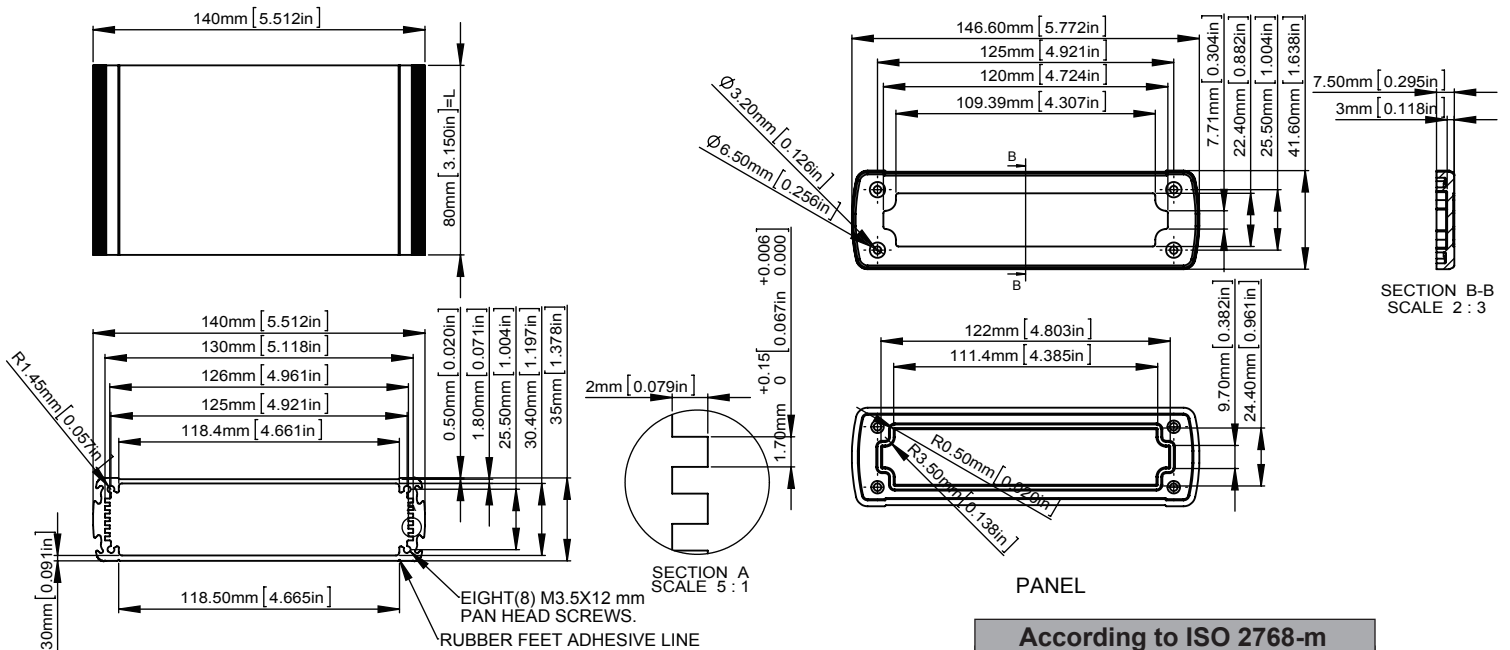
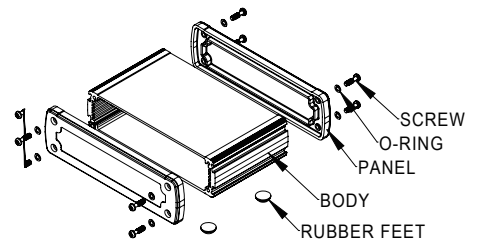
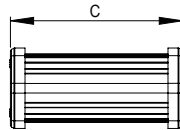
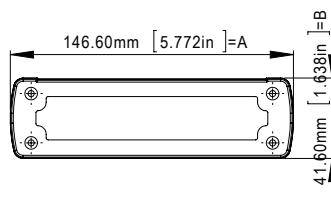
BODY

According to ISO 2768-m	
Measuring DIM=L	Tolerances
0.5 < L ≤ 3.0mm	± 0.1mm
3.0 < L ≤ 6.0mm	± 0.1mm
6.0 < L ≤ 30.0mm	± 0.2mm
30.0 < L ≤ 120.0mm	± 0.3mm
120.0 < L ≤ 400.0mm	± 0.5mm
400.0 < L ≤ 1000.0mm	± 0.8mm

TYPE B

ALUG706XXXXX-XXX

ITEM NO	BODY	PANEL	O-RING	RUBBER FEET	SCREW	EXTERNAL DIMENSION(mm) AXBXC
ALUG706GD080-C	ALUMINIUM EXTRUSION 6063/ GOLDEN ANODIZED(PANTONE 4675C)	UL94-V0 OF POLYCARBONATE/CLEAR				
ALUG706SR080-C	ALUMINIUM EXTRUSION 6063/ SILVER ANODIZED(PANTONE 877C)	UL94-V0 OF POLYCARBONATE/CLEAR				
ALUG706RD080-IR	ALUMINIUM EXTRUSION 6063/ RED ANODIZED(PANTONE 187C)	UL94-V0 OF POLYCARBONATE/TRANSLUCENT RED	Ø6X0.5 mm MATERIAL:PC COLOR:CLEAR	Ø12X5 mm MATERIAL:RUBBER (GAINTA ITEM NO:RF-1004) COLOR:BLACK	M3.5X12 mm MATERIAL:STAINLESS SUS 304 COLOR:UNFINISHED	146.6X41.6X89 mm
ALUG706BU080-CBU	ALUMINIUM EXTRUSION 6063/ BLUE ANODIZED(PANTONE 306C)	UL94-V0 OF POLYCARBONATE/TRANSLUCENT BLUE				
ALUG706BK080-BK	ALUMINIUM EXTRUSION 6063/ BLACK ANODIZED(PANTONE BLACK U)	UL94-V0 OF POLYCARBONATE/BLACK				
ALUG706GD120-C	ALUMINIUM EXTRUSION 6063/ GOLDEN ANODIZED(PANTONE 4675C)	UL94-V0 OF POLYCARBONATE/CLEAR				
ALUG706SR120-C	ALUMINIUM EXTRUSION 6063/ SILVER ANODIZED(PANTONE 877C)	UL94-V0 OF POLYCARBONATE/CLEAR				
ALUG706RD120-IR	ALUMINIUM EXTRUSION 6063/ RED ANODIZED(PANTONE 187C)	UL94-V0 OF POLYCARBONATE/TRANSLUCENT RED	Ø6X0.5 mm MATERIAL:PC COLOR:CLEAR	Ø12X5 mm MATERIAL:RUBBER (GAINTA ITEM NO:RF-1004) COLOR:BLACK	M3.5X12 mm MATERIAL:STAINLESS SUS 304 COLOR:UNFINISHED	146.6X41.6X129 mm
ALUG706BU120-CBU	ALUMINIUM EXTRUSION 6063/ BLUE ANODIZED(PANTONE 306C)	UL94-V0 OF POLYCARBONATE/TRANSLUCENT BLUE				
ALUG706BK120-BK	ALUMINIUM EXTRUSION 6063/ BLACK ANODIZED(PANTONE BLACK U)	UL94-V0 OF POLYCARBONATE/BLACK				
ALUG706GD160-C	ALUMINIUM EXTRUSION 6063/ GOLDEN ANODIZED(PANTONE 4675C)	UL94-V0 OF POLYCARBONATE/CLEAR				
ALUG706SR160-C	ALUMINIUM EXTRUSION 6063/ SILVER ANODIZED(PANTONE 877C)	UL94-V0 OF POLYCARBONATE/CLEAR				
ALUG706RD160-IR	ALUMINIUM EXTRUSION 6063/ RED ANODIZED(PANTONE 187C)	UL94-V0 OF POLYCARBONATE/TRANSLUCENT RED	Ø6X0.5 mm MATERIAL:PC COLOR:CLEAR	Ø12X5 mm MATERIAL:RUBBER (GAINTA ITEM NO:RF-1004) COLOR:BLACK	M3.5X12 mm MATERIAL:STAINLESS SUS 304 COLOR:UNFINISHED	146.6X41.6X169 mm
ALUG706BU160-CBU	ALUMINIUM EXTRUSION 6063/ BLUE ANODIZED(PANTONE 306C)	UL94-V0 OF POLYCARBONATE/TRANSLUCENT BLUE				
ALUG706BK160-BK	ALUMINIUM EXTRUSION 6063/ BLACK ANODIZED(PANTONE BLACK U)	UL94-V0 OF POLYCARBONATE/BLACK				
ALUG706GD200-C	ALUMINIUM EXTRUSION 6063/ GOLDEN ANODIZED(PANTONE 4675C)	UL94-V0 OF POLYCARBONATE/CLEAR				
ALUG706SR200-C	ALUMINIUM EXTRUSION 6063/ SILVER ANODIZED(PANTONE 877C)	UL94-V0 OF POLYCARBONATE/CLEAR				
ALUG706RD200-IR	ALUMINIUM EXTRUSION 6063/ RED ANODIZED(PANTONE 187C)	UL94-V0 OF POLYCARBONATE/TRANSLUCENT RED	Ø6X0.5 mm MATERIAL:PC COLOR:CLEAR	Ø12X5 mm MATERIAL:RUBBER (GAINTA ITEM NO:RF-1004) COLOR:BLACK	M3.5X12 mm MATERIAL:STAINLESS SUS 304 COLOR:UNFINISHED	146.6X41.6X209 mm
ALUG706BU200-CBU	ALUMINIUM EXTRUSION 6063/ BLUE ANODIZED(PANTONE 306C)	UL94-V0 OF POLYCARBONATE/TRANSLUCENT BLUE				
ALUG706BK200-BK	ALUMINIUM EXTRUSION 6063/ BLACK ANODIZED(PANTONE BLACK U)	UL94-V0 OF POLYCARBONATE/BLACK				



ITEM NO.	L(mm)
ALUG706XX080-XXX	80 mm
ALUG706XX120-XXX	120 mm
ALUG706XX160-XXX	160 mm
ALUG706XX200-XXX	200 mm

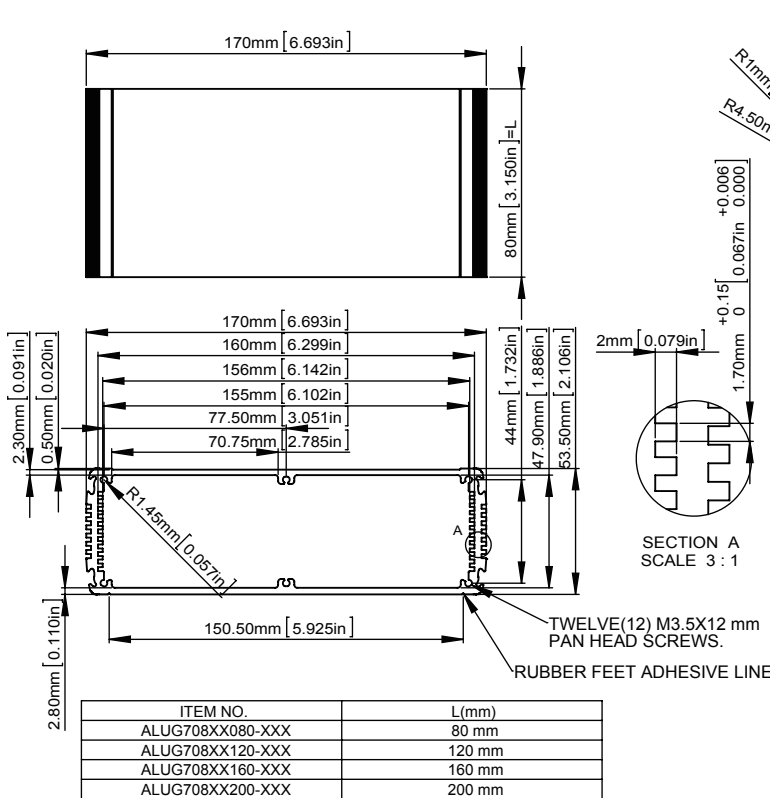
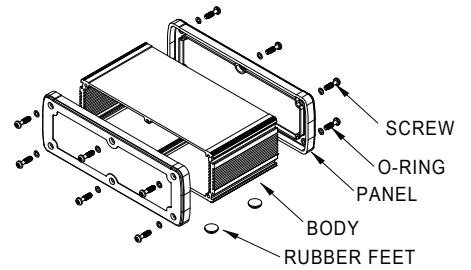
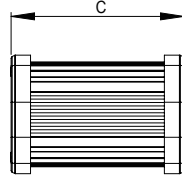
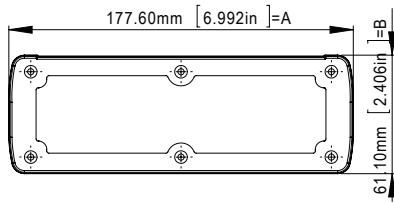
BODY

According to ISO 2768-m	
Measuring DIM=L	Tolerances
0.5 < L ≤ 3.0mm	± 0.1mm
3.0 < L ≤ 6.0mm	± 0.1mm
6.0 < L ≤ 30.0mm	± 0.2mm
30.0 < L ≤ 120.0mm	± 0.3mm
120.0 < L ≤ 400.0mm	± 0.5mm
400.0 < L ≤ 1000.0mm	± 0.8mm

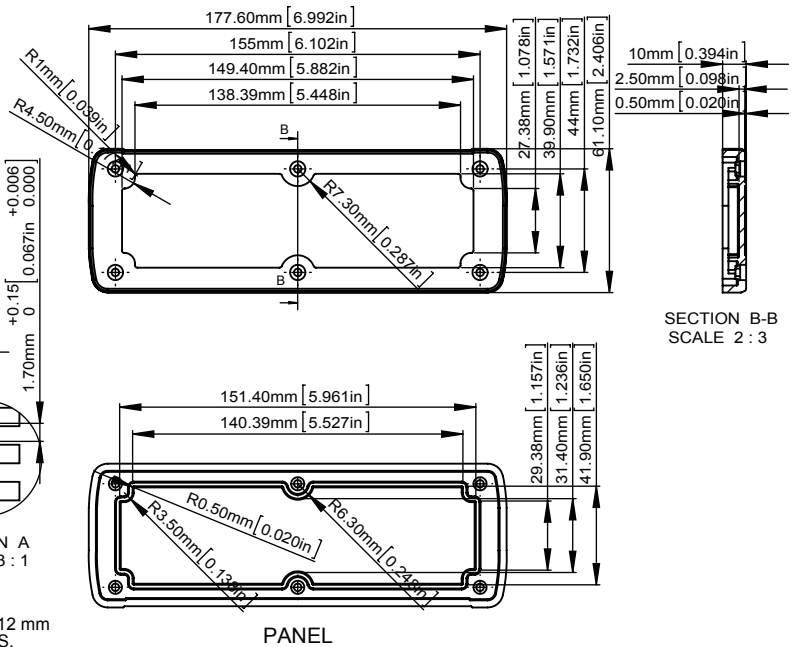
TYPE B

ALUG708XXXX-XXX

ITEM NO	BODY	PANEL	O-RING	RUBBER FEET	SCREW	EXTERNAL DIMENSION(mm) AXBXC
ALUG708GD080-C	ALUMINIUM EXTRUSION 6063/ GOLDEN ANODIZED(PANTONE 4675C)	UL94-V0 OF POLYCARBONATE/CLEAR	Ø6X0.5 mm MATERIAL:PC COLOR:CLEAR	Ø12X5 mm MATERIAL:RUBBER (GAINTA ITEM NO:RF-1004) COLOR:BLACK	M3.5X12 mm MATERIAL:STAINLESS SUS 304 COLOR:UNFINISHED	177.6X61.1X89 mm
ALUG708SR080-C	ALUMINIUM EXTRUSION 6063/ SILVER ANODIZED(PANTONE 877C)	UL94-V0 OF POLYCARBONATE/CLEAR				
ALUG708RD080-IR	ALUMINIUM EXTRUSION 6063/ RED ANODIZED(PANTONE 187C)	UL94-V0 OF POLYCARBONATE/TRANSLUCENT RED				
ALUG708BU080-CBU	ALUMINIUM EXTRUSION 6063/ BLUE ANODIZED(PANTONE 306C)	UL94-V0 OF POLYCARBONATE/TRANSLUCENT BLUE				
ALUG708BK080-BK	ALUMINIUM EXTRUSION 6063/ BLACK ANODIZED(PANTONE BLACK U)	UL94-V0 OF POLYCARBONATE/BLACK				
ALUG708GD120-C	ALUMINIUM EXTRUSION 6063/ GOLDEN ANODIZED(PANTONE 4675C)	UL94-V0 OF POLYCARBONATE/CLEAR	Ø6X0.5 mm MATERIAL:PC COLOR:CLEAR	Ø12X5 mm MATERIAL:RUBBER (GAINTA ITEM NO:RF-1004) COLOR:BLACK	M3.5X12 mm MATERIAL:STAINLESS SUS 304 COLOR:UNFINISHED	177.6X61.1X129 mm
ALUG708SR120-C	ALUMINIUM EXTRUSION 6063/ SILVER ANODIZED(PANTONE 877C)	UL94-V0 OF POLYCARBONATE/CLEAR				
ALUG708RD120-IR	ALUMINIUM EXTRUSION 6063/ RED ANODIZED(PANTONE 187C)	UL94-V0 OF POLYCARBONATE/TRANSLUCENT RED				
ALUG708BU120-CBU	ALUMINIUM EXTRUSION 6063/ BLUE ANODIZED(PANTONE 306C)	UL94-V0 OF POLYCARBONATE/TRANSLUCENT BLUE				
ALUG708BK120-BK	ALUMINIUM EXTRUSION 6063/ BLACK ANODIZED(PANTONE BLACK U)	UL94-V0 OF POLYCARBONATE/BLACK				
ALUG708GD160-C	ALUMINIUM EXTRUSION 6063/ GOLDEN ANODIZED(PANTONE 4675C)	UL94-V0 OF POLYCARBONATE/CLEAR	Ø6X0.5 mm MATERIAL:PC COLOR:CLEAR	Ø12X5 mm MATERIAL:RUBBER (GAINTA ITEM NO:RF-1004) COLOR:BLACK	M3.5X12 mm MATERIAL:STAINLESS SUS 304 COLOR:UNFINISHED	177.6X61.1X169 mm
ALUG708SR160-C	ALUMINIUM EXTRUSION 6063/ SILVER ANODIZED(PANTONE 877C)	UL94-V0 OF POLYCARBONATE/CLEAR				
ALUG708RD160-IR	ALUMINIUM EXTRUSION 6063/ RED ANODIZED(PANTONE 187C)	UL94-V0 OF POLYCARBONATE/TRANSLUCENT RED				
ALUG708BU160-CBU	ALUMINIUM EXTRUSION 6063/ BLUE ANODIZED(PANTONE 306C)	UL94-V0 OF POLYCARBONATE/TRANSLUCENT BLUE				
ALUG708BK160-BK	ALUMINIUM EXTRUSION 6063/ BLACK ANODIZED(PANTONE BLACK U)	UL94-V0 OF POLYCARBONATE/BLACK				
ALUG708GD200-C	ALUMINIUM EXTRUSION 6063/ GOLDEN ANODIZED(PANTONE 4675C)	UL94-V0 OF POLYCARBONATE/CLEAR	Ø6X0.5 mm MATERIAL:PC COLOR:CLEAR	Ø12X5 mm MATERIAL:RUBBER (GAINTA ITEM NO:RF-1004) COLOR:BLACK	M3.5X12 mm MATERIAL:STAINLESS SUS 304 COLOR:UNFINISHED	177.6X61.1X209 mm
ALUG708SR200-C	ALUMINIUM EXTRUSION 6063/ SILVER ANODIZED(PANTONE 877C)	UL94-V0 OF POLYCARBONATE/CLEAR				
ALUG708RD200-IR	ALUMINIUM EXTRUSION 6063/ RED ANODIZED(PANTONE 187C)	UL94-V0 OF POLYCARBONATE/TRANSLUCENT RED				
ALUG708BU200-CBU	ALUMINIUM EXTRUSION 6063/ BLUE ANODIZED(PANTONE 306C)	UL94-V0 OF POLYCARBONATE/TRANSLUCENT BLUE				
ALUG708BK200-BK	ALUMINIUM EXTRUSION 6063/ BLACK ANODIZED(PANTONE BLACK U)	UL94-V0 OF POLYCARBONATE/BLACK				



BODY

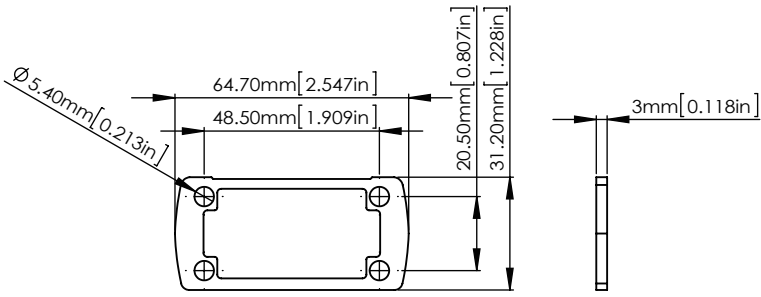


PANEL

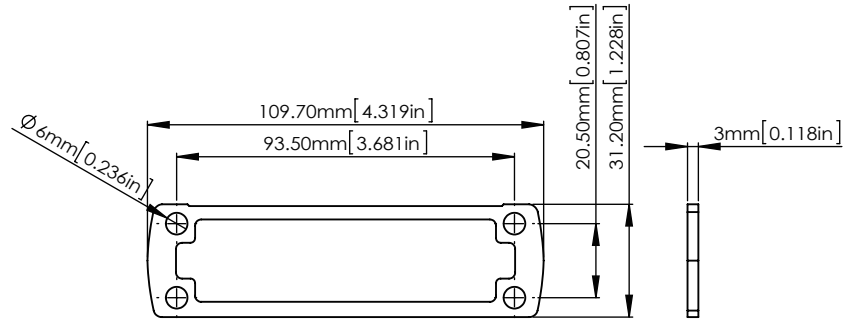
According to ISO 2768-m

Measuring DIM=L	Tolerances
0.5 < L ≤ 3.0mm	± 0.1mm
3.0 < L ≤ 6.0mm	± 0.1mm
6.0 < L ≤ 30.0mm	± 0.2mm
30.0 < L ≤ 120.0mm	± 0.3mm
120.0 < L ≤ 400.0mm	± 0.5mm
400.0 < L ≤ 1000.0mm	± 0.8mm

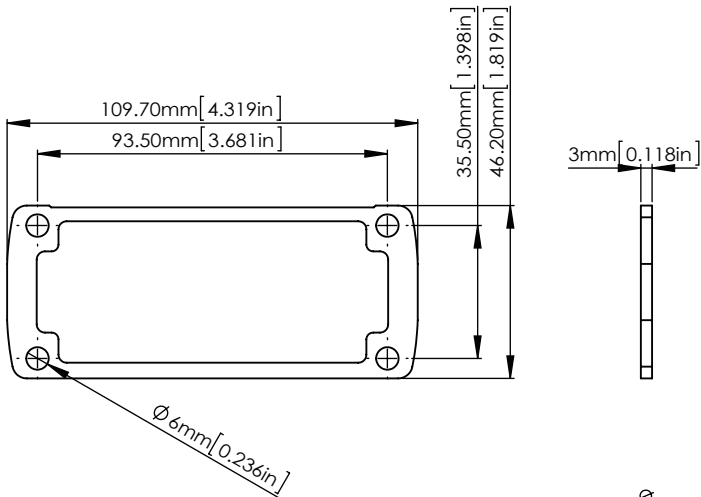
ALUG702-SEAL



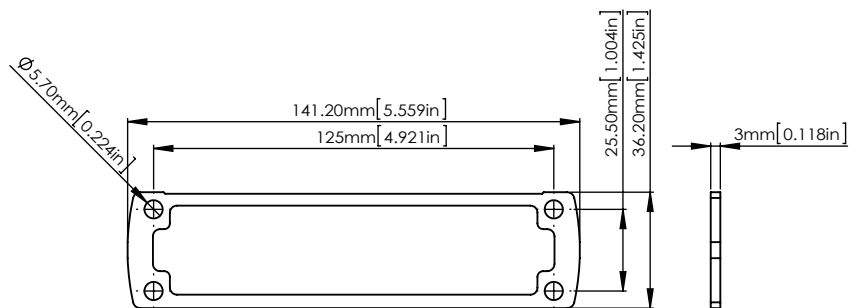
ALUG704-SEAL



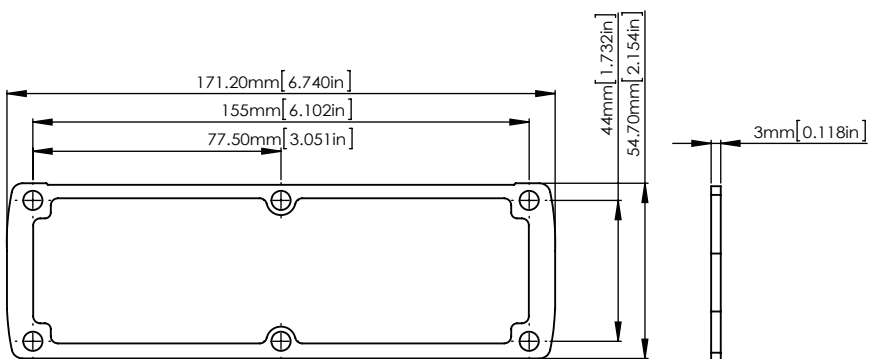
ALUG705-SEAL



ALUG706-SEAL



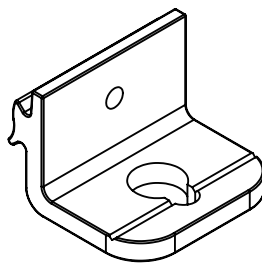
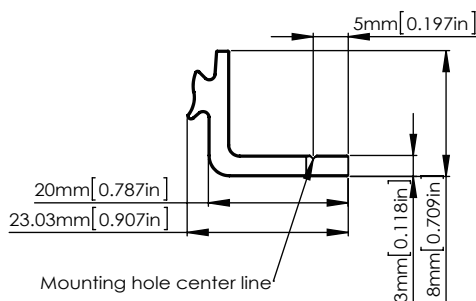
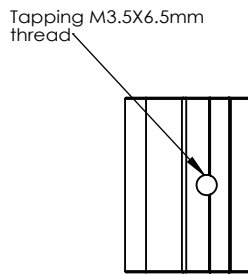
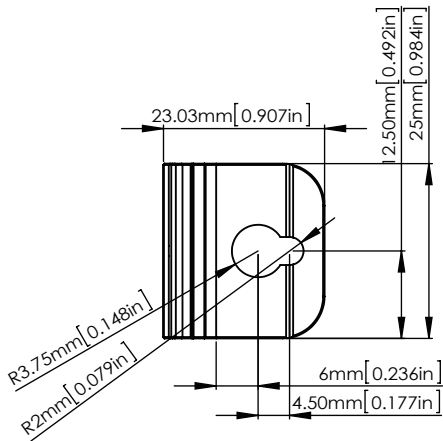
ALUG708-SEAL



According to ISO 2768-m

Measuring DIM=L	Tolerances
0.5 < L ≤ 3.0mm	± 0.1mm
3.0 < L ≤ 6.0mm	± 0.1mm
6.0 < L ≤ 30.0mm	± 0.2mm
30.0 < L ≤ 120.0mm	± 0.3mm
120.0 < L ≤ 400.0mm	± 0.5mm
400.0 < L ≤ 1000.0mm	± 0.8mm

ALMF-002PBK



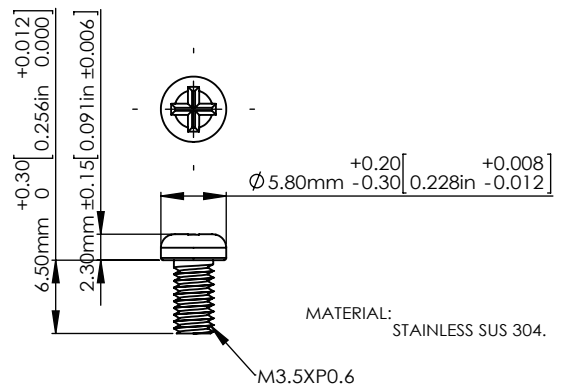
According to ISO 2768-m

Measuring DIM=L	Tolerances
0.5 < L ≤ 3.0mm	± 0.1mm
3.0 < L ≤ 6.0mm	± 0.1mm
6.0 < L ≤ 30.0mm	± 0.2mm
30.0 < L ≤ 120.0mm	± 0.3mm
120.0 < L ≤ 400.0mm	± 0.5mm
400.0 < L ≤ 1000.0mm	± 0.8mm

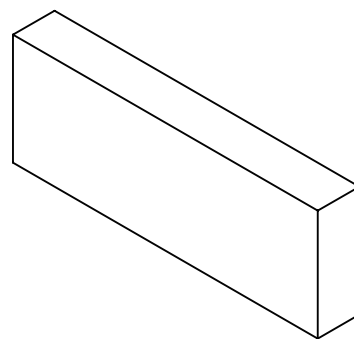
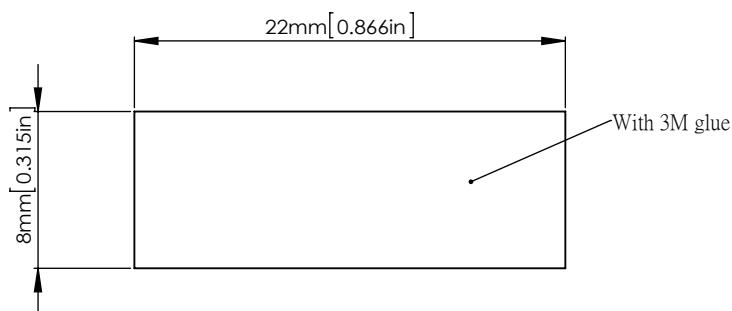
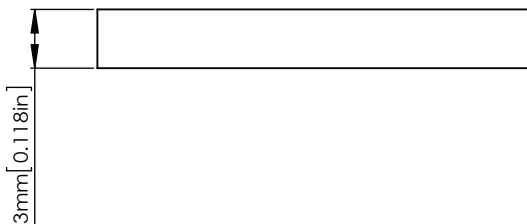
ALMF-002PBK (1 set) includes

1. 2 pcs of mounting brackets & 2 pcs M3.5X6.5mm screws.
2. Color: Painted black (PBK), similar to RAL9005.

M3.5X6.5mm screws



ALUG7XX-PCBSTOP



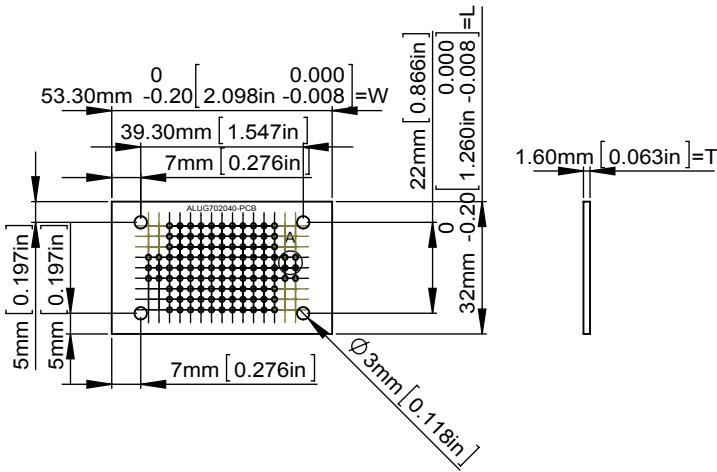
ALUG7XX-PCBSTOP(1 set) includes

1. 20 pcs/bag of adhesive rubber pads
< PS : Material : CR (With 3M glue) >
2. Color : black

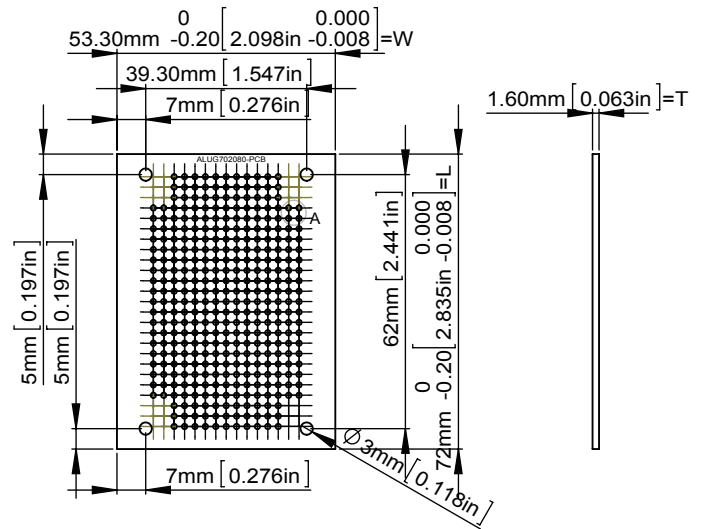
ALUG702XXX-PCB			
ITEM	L	W	T
ALUG702040-PCB	32.0 mm	53.3 mm	1.60 mm
ALUG702080-PCB	72.0 mm	53.3 mm	1.60 mm
ALUG702120-PCB	112.0 mm	53.3 mm	1.60 mm

According to ISO 2768-m	
Measuring DIM=L	Tolerances
0.5 < L ≤ 3.0mm	± 0.1mm
3.0 < L ≤ 6.0mm	± 0.1mm
6.0 < L ≤ 30.0mm	± 0.2mm
30.0 < L ≤ 120.0mm	± 0.3mm
120.0 < L ≤ 400.0mm	± 0.5mm
400.0 < L ≤ 1000.0mm	± 0.8mm

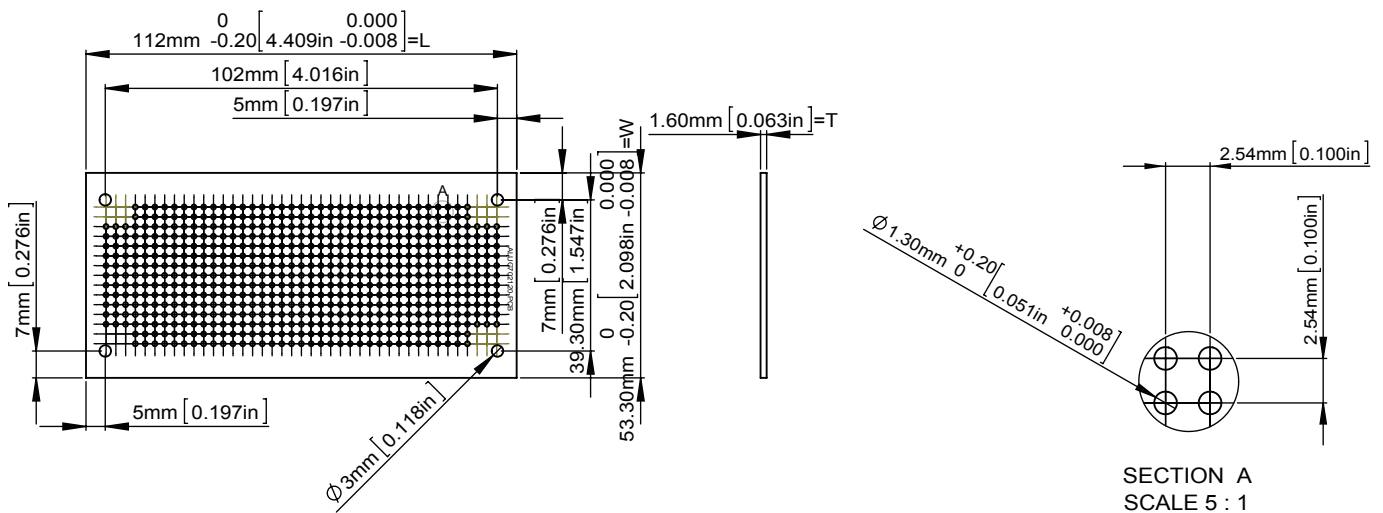
ALUG702040-PCB



ALUG702080-PCB



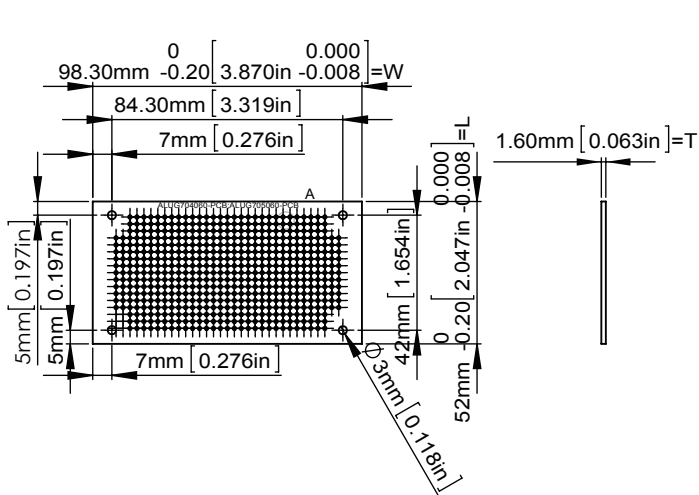
ALUG702120-PCB



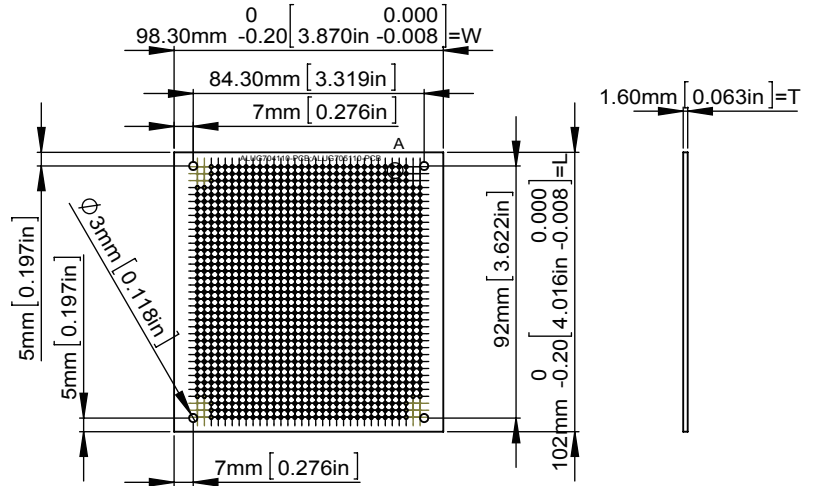
ALUG704XXX-PCB, ALUG705XXX-PCB			
ITEM	L	W	T
ALUG704060-PCB	52.0 mm	98.3 mm	1.6 mm
ALUG705060-PCB			
ALUG704110-PCB	102.0 mm	98.3 mm	1.6 mm
ALUG705110-PCB			
ALUG704160-PCB	152.0 mm	98.3 mm	1.6 mm
ALUG705160-PCB			

According to ISO 2768-m	
Measuring DIM=L	Tolerances
0.5 < L ≤ 3.0mm	± 0.1mm
3.0 < L ≤ 6.0mm	± 0.1mm
6.0 < L ≤ 30.0mm	± 0.2mm
30.0 < L ≤ 120.0mm	± 0.3mm
120.0 < L ≤ 400.0mm	± 0.5mm
400.0 < L ≤ 1000.0mm	± 0.8mm

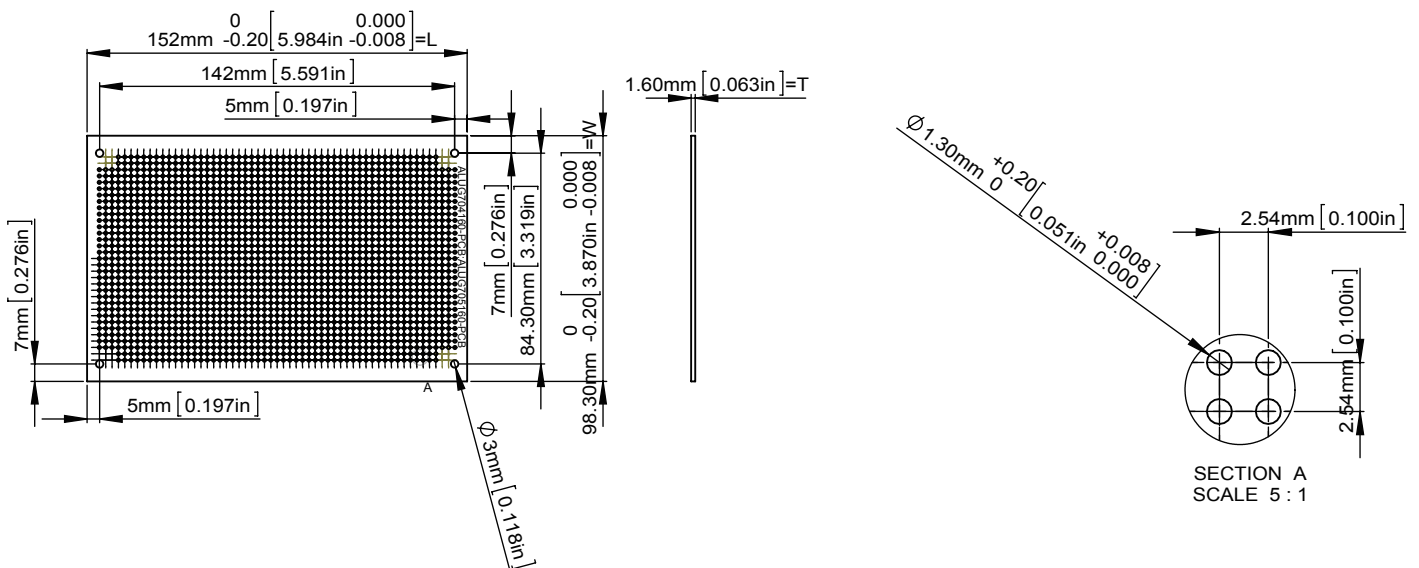
ALUG704060-PCB
ALUG705060-PCB



ALUG704110-PCB
ALUG705110-PCB



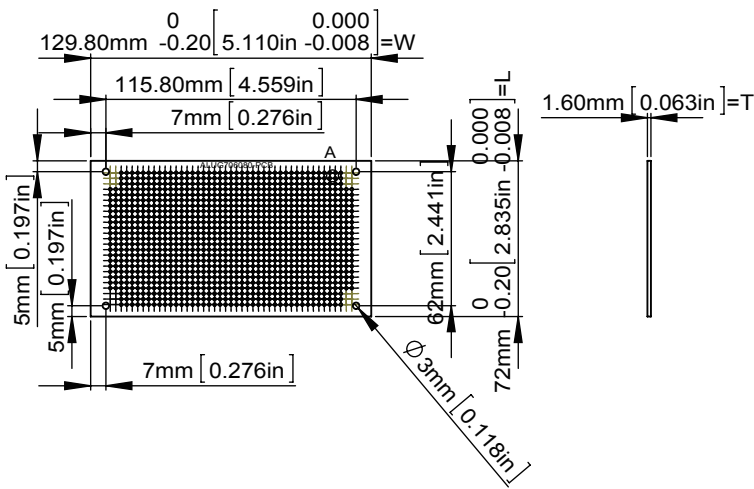
ALUG704160-PCB
ALUG705160-PCB



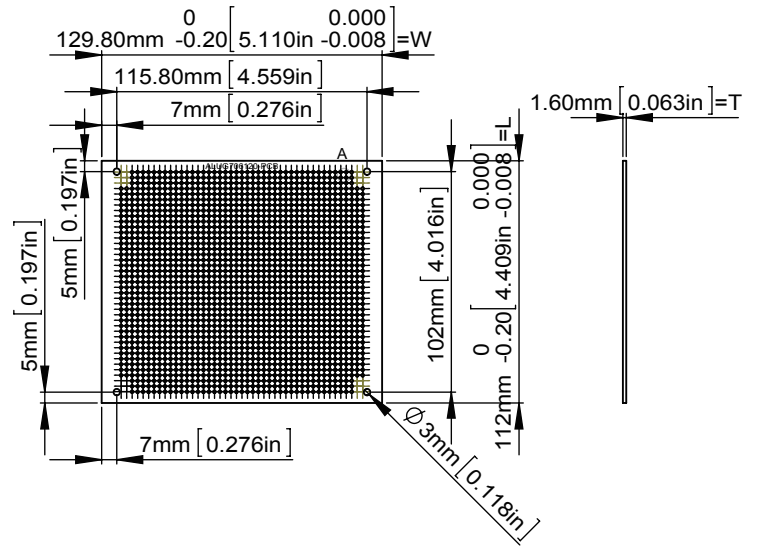
ALUG706XXX-PCB			
ITEM	L	W	T
ALUG706080-PCB	72.0 mm	129.8 mm	1.60 mm
ALUG706120-PCB	112.0 mm	129.8 mm	1.60 mm
ALUG706160-PCB	152.0 mm	129.8 mm	1.60 mm
ALUG706200-PCB	192.0 mm	129.8 mm	1.60 mm

According to ISO 2768-m	
Measuring DIM=L	Tolerances
0.5 < L ≤ 3.0mm	± 0.1mm
3.0 < L ≤ 6.0mm	± 0.1mm
6.0 < L ≤ 30.0mm	± 0.2mm
30.0 < L ≤ 120.0mm	± 0.3mm
120.0 < L ≤ 400.0mm	± 0.5mm
400.0 < L ≤ 1000.0mm	± 0.8mm

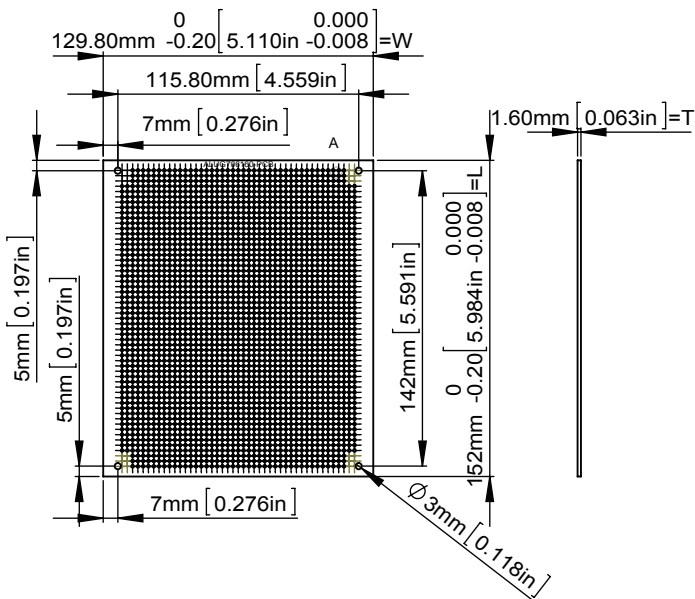
ALUG706080-PCB



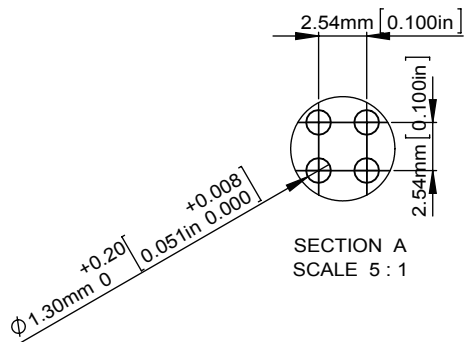
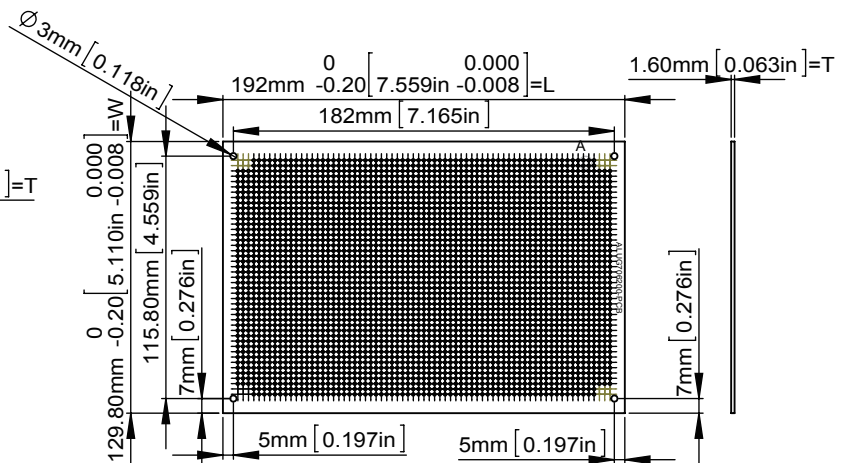
ALUG706120-PCB



ALUG706160-PCB



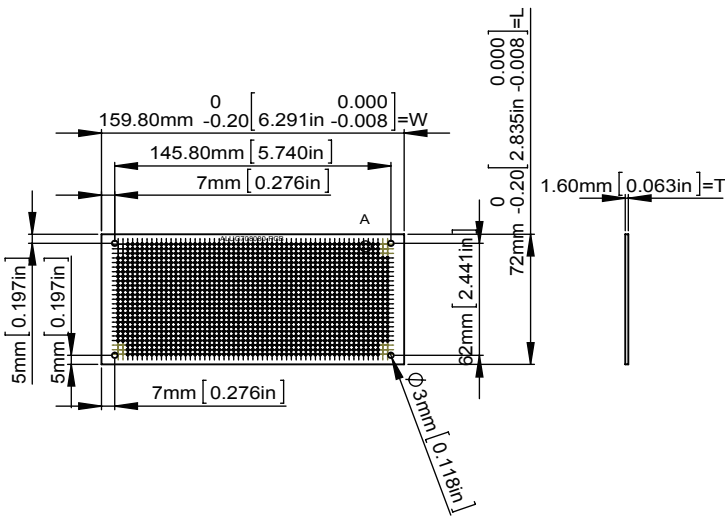
ALUG706200-PCB



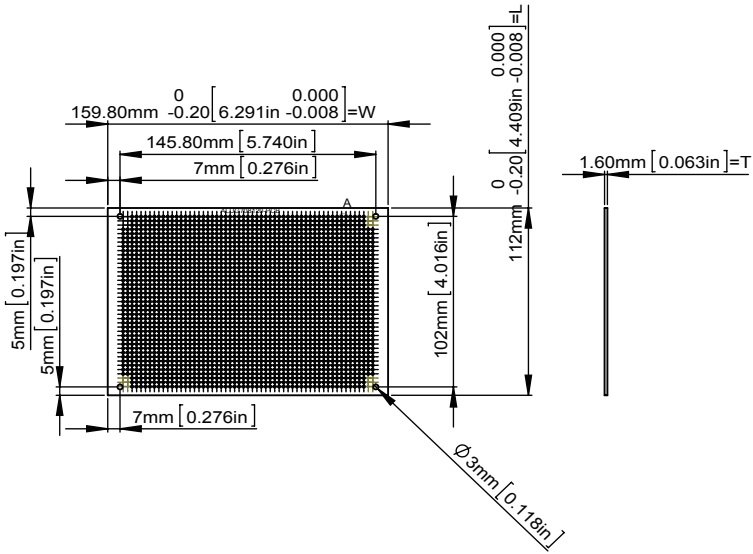
ALUG708XXX-PCB			
ITEM	L	W	T
ALUG708080-PCB	72.0 mm	159.8 mm	1.6 mm
ALUG708120-PCB	112.0 mm	159.8 mm	1.6 mm
ALUG708160-PCB	152.0 mm	159.8 mm	1.6 mm
ALUG708200-PCB	192.0 mm	159.8 mm	1.6 mm

According to ISO 2768-m	
Measuring DIM=L	Tolerances
0.5 < L ≤ 3.0mm	± 0.1mm
3.0 < L ≤ 6.0mm	± 0.1mm
6.0 < L ≤ 30.0mm	± 0.2mm
30.0 < L ≤ 120.0mm	± 0.3mm
120.0 < L ≤ 400.0mm	± 0.5mm
400.0 < L ≤ 1000.0mm	± 0.8mm

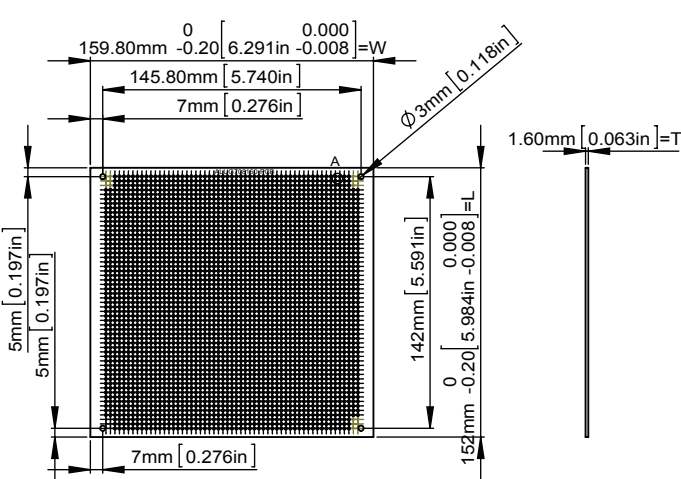
ALUG708080-PCB



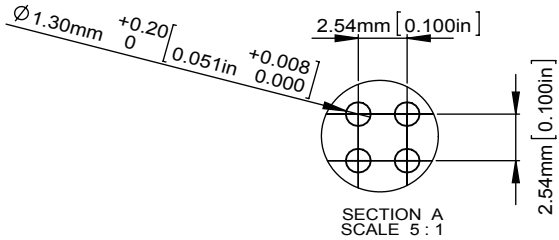
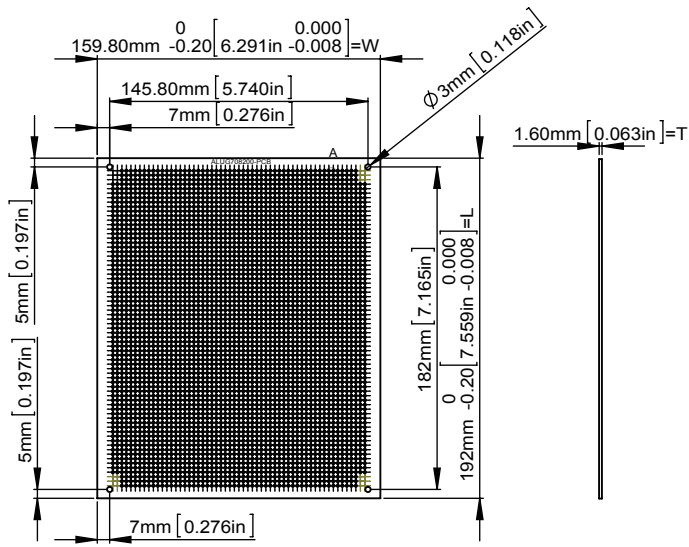
ALUG708120-PCB

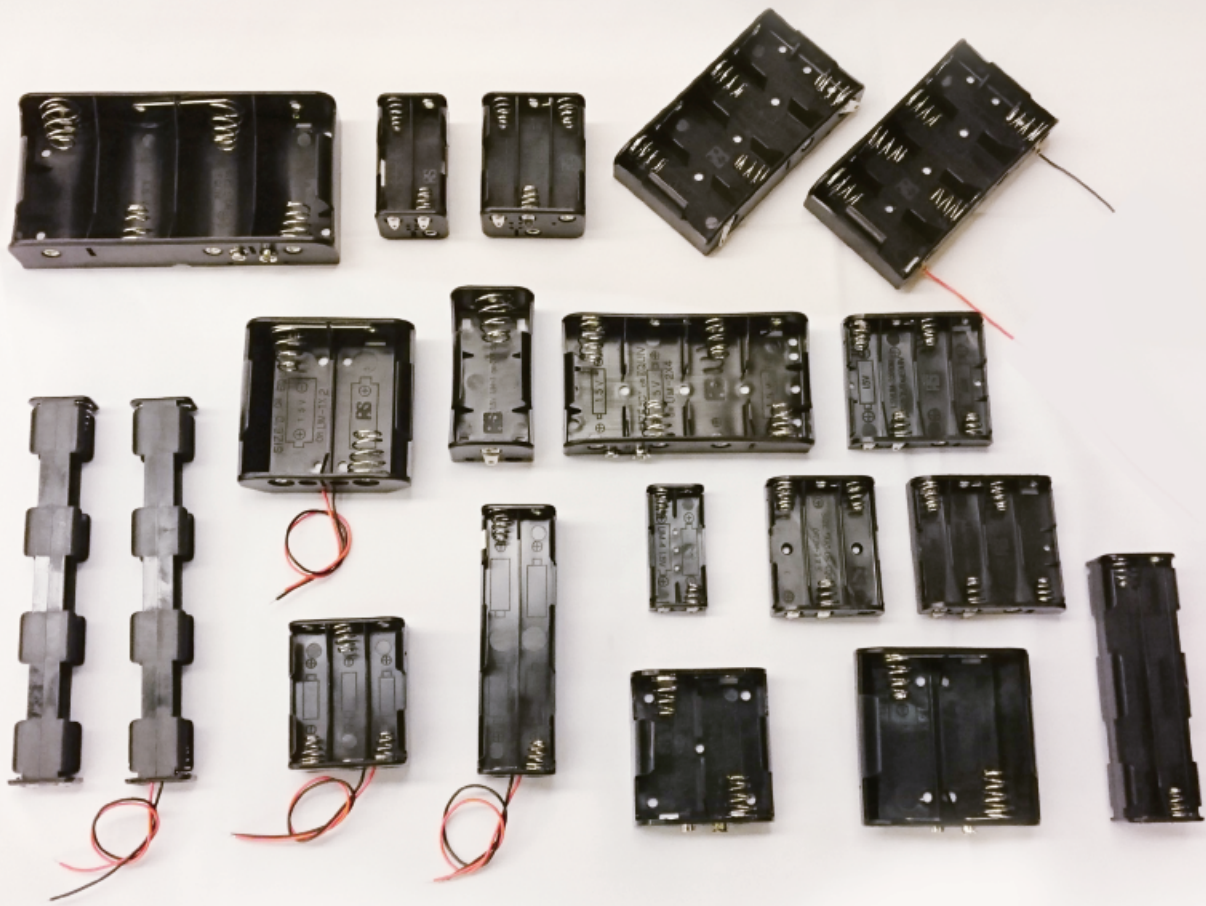


ALUG708160-PCB



ALUG708200-PCB





PRODUCT INFORMATION

- TYPE A=> Wire lead type of battery holder and clip
- TYPE B=> PCB mounted type of battery holder
- TYPE C=> Snap connector type of battery holder
- TYPE D=> Solder lug type of battery holder

◆ **TYPE A**
Wire lead type
[Battery holder]



[Battery clip]



◆ **TYPE B**
PCB mounted type

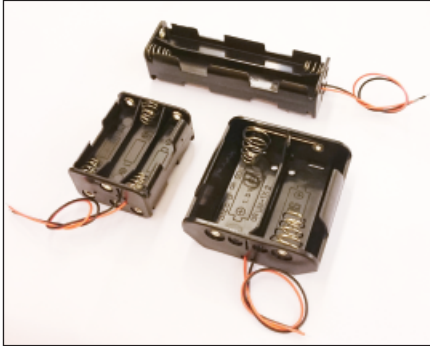


◆ **TYPE C**
Snap connector type

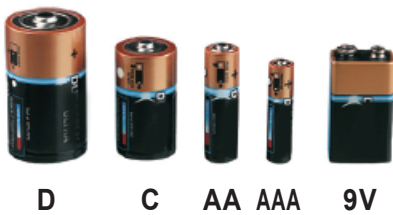


◆ **TYPE D**
Solder lug type





Battery type:



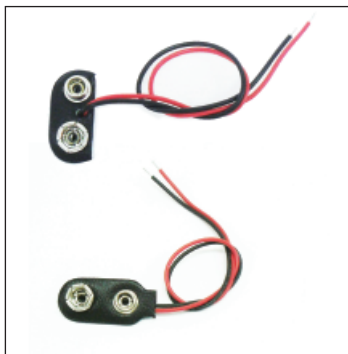
D C AA AAA 9V

Part No.	Description
GSN-9V-1A	9V BATTERY HOLDER WITH 150MM OF WIRES
● GSN-11-1PP	1 X D BATTERY HOLDER WITH 150 MM OF WIRES
● GSN-12-1PP	2 X D BATTERY HOLDER WITH 150 MM OF WIRES
● GSN-14-2PP	4 X D BATTERY HOLDER WITH 150 MM OF WIRES
● GSN-16-1PP	6 X D BATTERY HOLDER WITH 150 MM OF WIRES
● GSN-22-1PP	2 X C BATTERY HOLDER WITH 150 MM OF WIRES
● GSN-24-2PP	4 X C BATTERY HOLDER WITH 150 MM OF WIRES
● GSN-31-1PP	1 X AA BATTERY HOLDER WITH 150 MM OF WIRES
GSN-32-2PP	2 X AA BATTERY HOLDER WITH 150 MM OF WIRES
● GSN-32-1PP	2 X AA BATTERY HOLDER WITH 150 MM OF WIRES
● GSN-33-1PP	3 X AA BATTERY HOLDER WITH 150 MM OF WIRES
GSN-34-2PP	4 X AA BATTERY HOLDER WITH 150 MM OF WIRES
● GSN-34-1PP	4 X AA BATTERY HOLDER WITH 150 MM OF WIRES
● GSN-36-2PP	6 X AA BATTERY HOLDER WITH 150 MM OF WIRES
● GSN-36-1PP	6 X AA BATTERY HOLDER WITH 150 MM OF WIRES
GSN-42-1PP	2 X AAA BATTERY HOLDER WITH 150 MM OF WIRES
● GSN-38-2PP	8 X AA BATTERY HOLDER WITH 150 MM OF WIRES
GSN-44-1PP	4 X AAA BATTERY HOLDER WITH 150 MM OF WIRES

● New product

Plastic Material	Spring / Finish	Terminal / Finish	Wire
PP	Steel / Nickel plating	Brass / Nickel plating	AWG26(UL1007), red/black, length:150mm

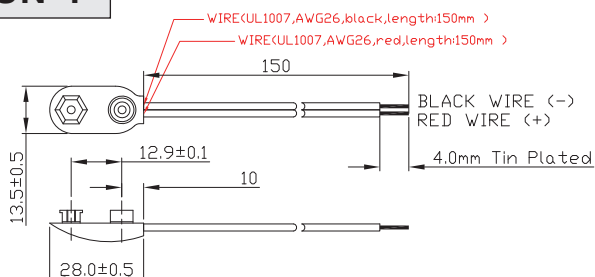
Wire lead type of battery Clip



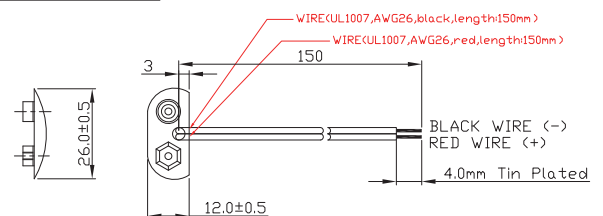
Part No.	Description
GSN-1	9V BATTERY CLIP WITH 150 MM OF WIRES <SIDE>
GSN-2	9V BATTERY CLIP WITH 150 MM OF WIRES <MIDDLE>

Plastic Material	Female / male Snap	Wire
PVC	Brass / Nickel plating	AWG26(UL1007), red/black, length:150mm

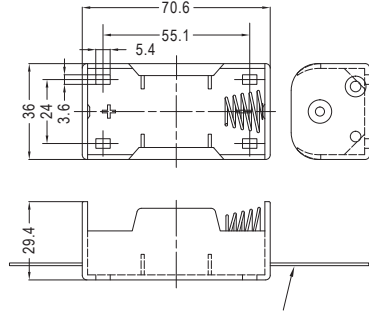
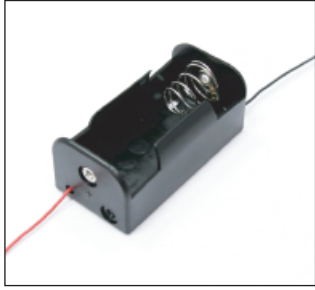
GSN-1



GSN-2

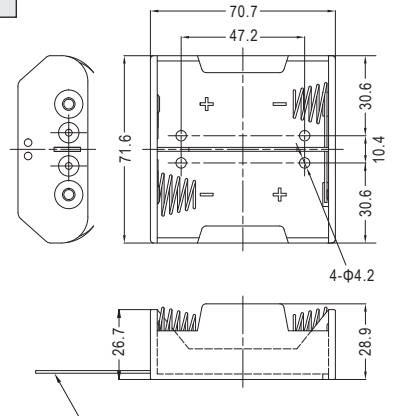
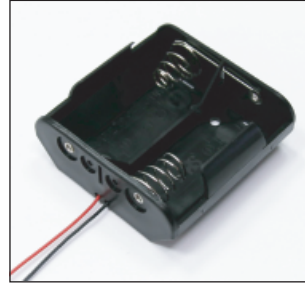


GSN-11-1PP



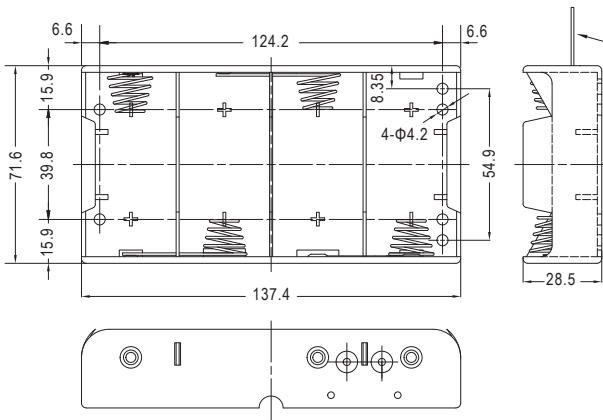
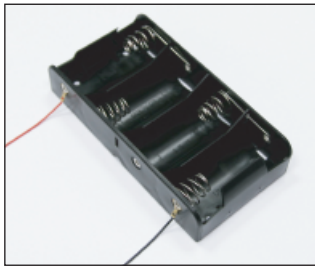
AWG26(UL1007), red/black, length:150mm

GSN-12-1PP



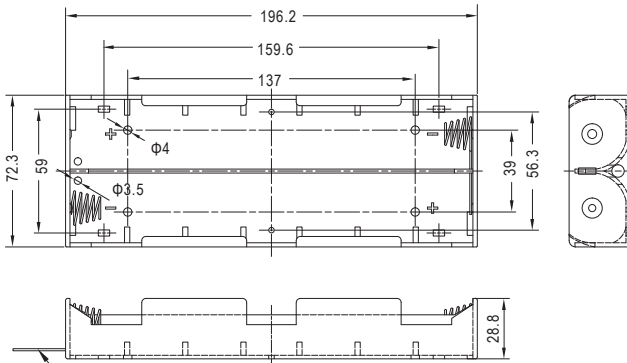
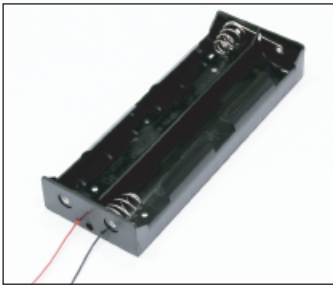
AWG26(UL1007), red/black, length:150mm

GSN-14-2PP



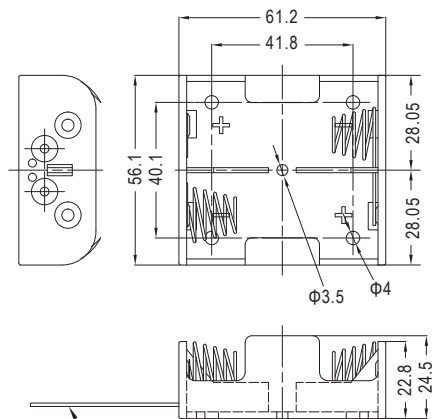
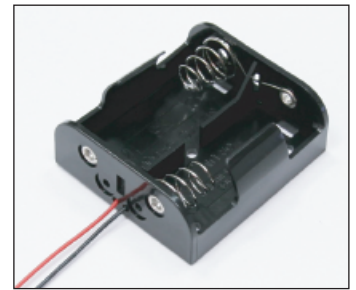
AWG26(UL1007), red/black, length:150mm

GSN-16-1PP



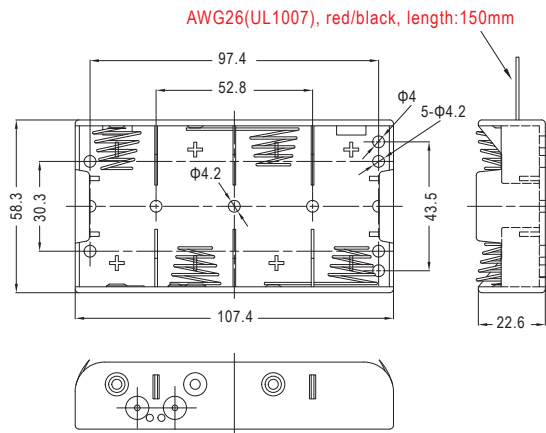
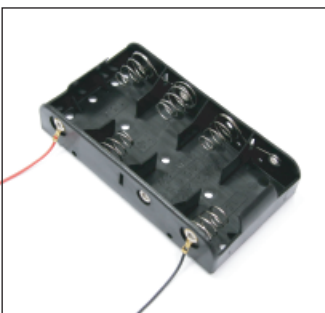
AWG26(UL1007), red/black, length:150mm

GSN-22-1PP



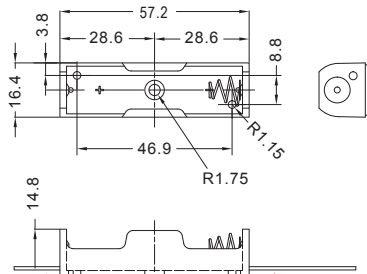
AWG26(UL1007), red/black, length:150mm

GSN-24-2PP



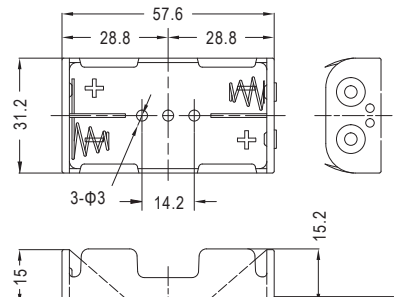
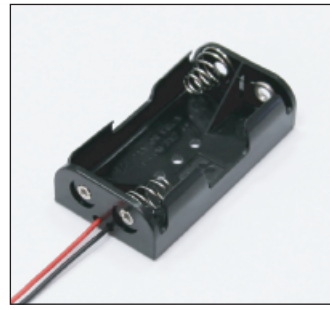
AWG26(UL1007), red/black, length:150mm

GSN-31-1PP



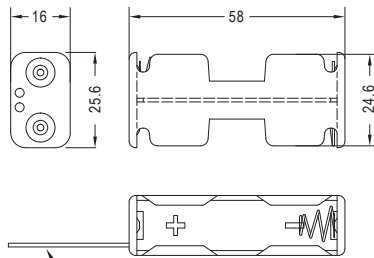
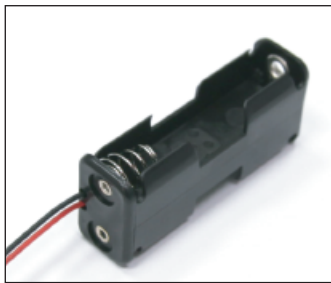
AWG26(UL1007), red/black, length:150mm

GSN-32-2PP



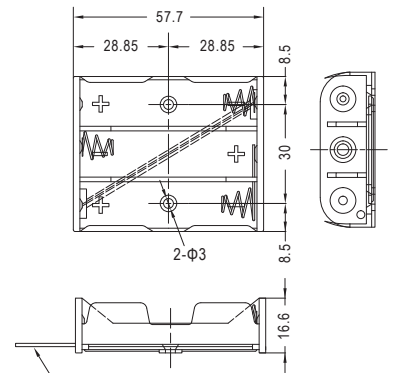
AWG26(UL1007), red/black, length:150mm

GSN-32-1PP



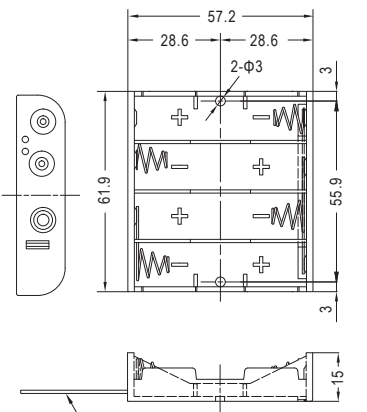
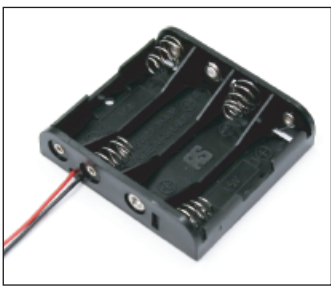
AWG26(UL1007), red/black, length:150mm

GSN-33-1PP



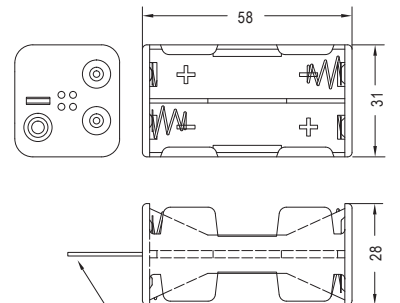
AWG26(UL1007), red/black, length:150mm

GSN-34-2PP



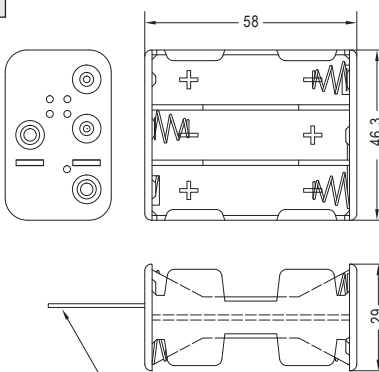
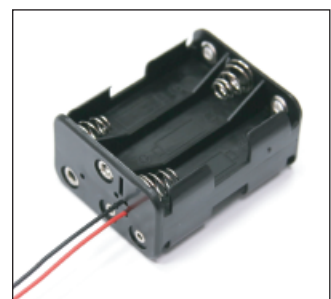
AWG26(UL1007), red/black, length:150mm

GSN-34-1PP



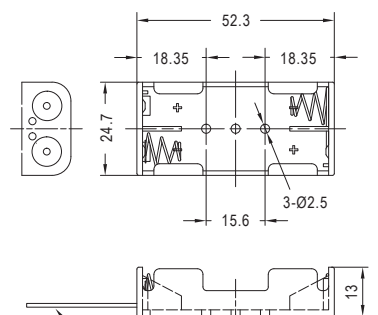
AWG26(UL1007), red/black, length:150mm

GSN-36-1PP



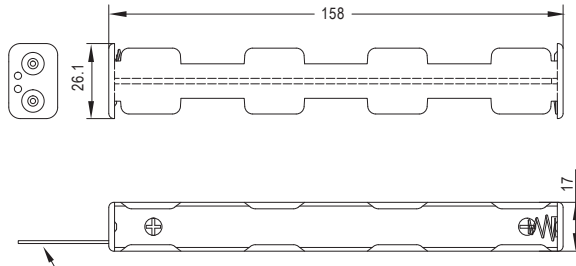
AWG26(UL1007), red/black, length:150mm

GSN-42-1PP



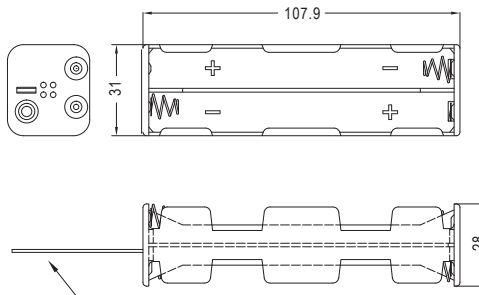
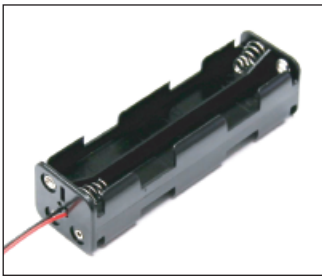
AWG26(UL1007), red/black, length:150mm

GSN-36-2PP



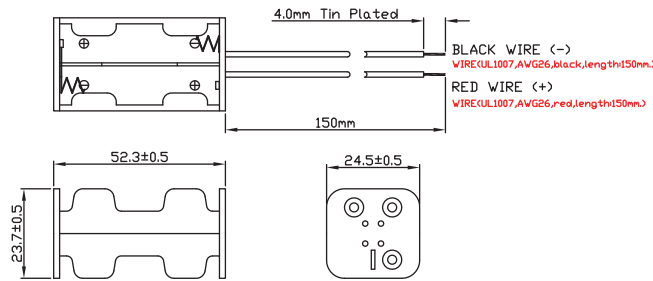
AWG26(UL1007), red/black, length:150mm

GSN-38-2PP

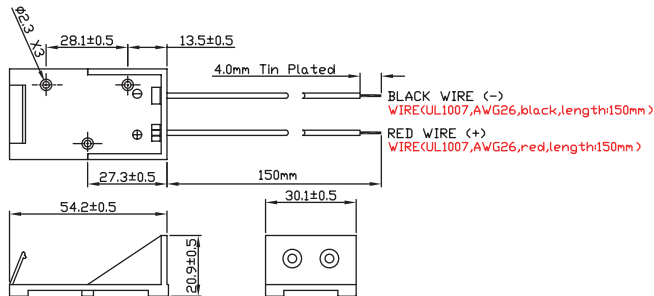
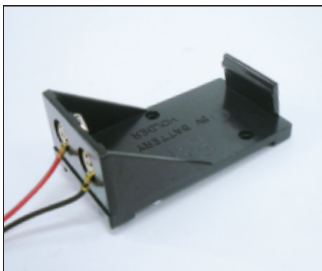


AWG26(UL1007), red/black, length:150mm

GSN-44-1PP



GSN-9V-1A



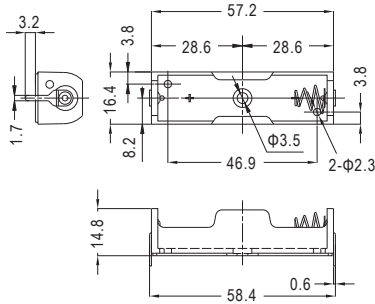
NEW



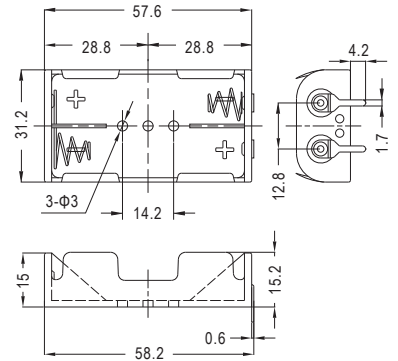
Part No.	Description
GSN-31-1PM	1 X AA BATTERY HOLDER WITH PC PIN
GSN-32-2PM	2 X AA BATTERY HOLDER WITH PC PIN
GSN-33-1PM	3 X AA BATTERY HOLDER WITH PC PIN
GSN-34-2PM	4 X AA BATTERY HOLDER WITH PC PIN
GSN-42-1PM	2 X AAA BATTERY HOLDER WITH PC PIN

Plastic Material	Spring / Finish	Terminal / Finish	PC PIN
PP	Steel / Nickel plating	Brass / Nickel plating	Steel / Nickel plating

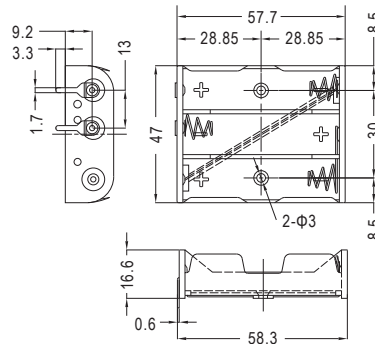
GSN-31-1PM



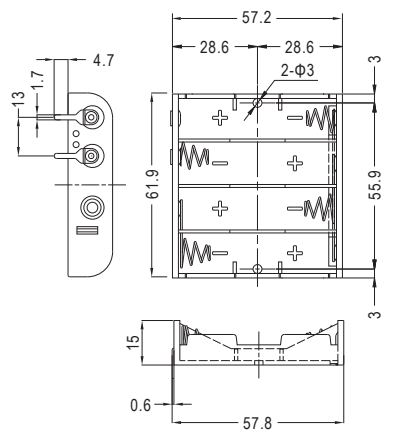
GSN-32-2PM



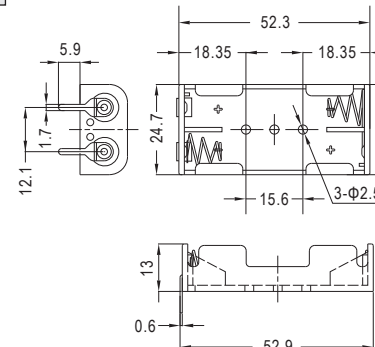
GSN-33-1PM



GSN-34-2PM



GSN-42-1PM



NEW



Part No.	Description
GSN-12-1SC	2 X D BATTERY HOLDER WITH SNAP TERMINAL
GSN-14-2SC	4 X D BATTERY HOLDER WITH SNAP TERMINAL
GSN-22-1SC	2 X C BATTERY HOLDER WITH SNAP TERMINAL
GSN-24-2SC	4 X C BATTERY HOLDER WITH SNAP TERMINAL
GSN-32-2SC	2 X AA BATTERY HOLDER WITH SNAP TERMINAL
GSN-33-1SC	3 X AA BATTERY HOLDER WITH SNAP TERMINAL
GSN-34-2SC	4 X AA BATTERY HOLDER WITH SNAP TERMINAL

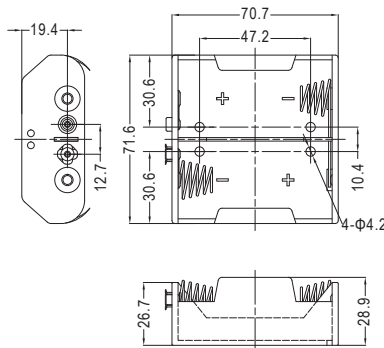
Battery type:



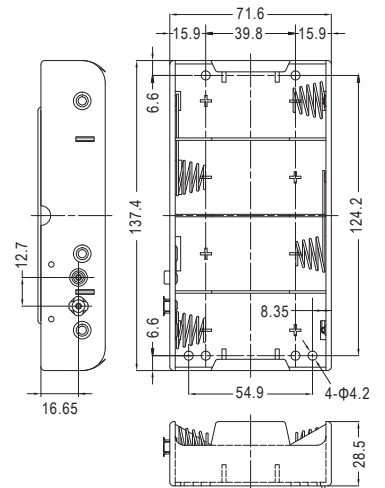
D C AA

Plastic Material	Spring / Finish	Terminal / Finish
PP	Steel / Nickel plating	Brass / Nickel plating

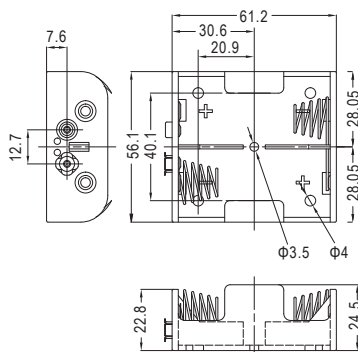
GSN-12-1SC



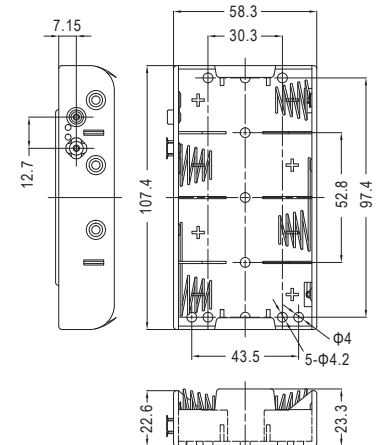
GSN-14-2SC



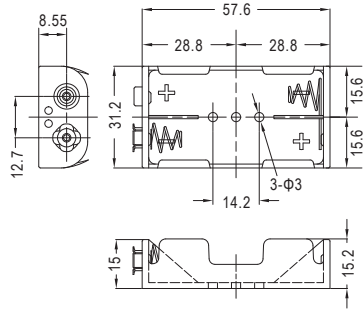
GSN-22-1SC



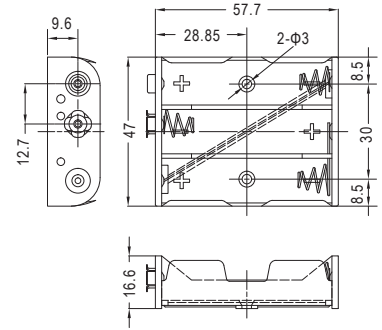
GSN-24-2SC



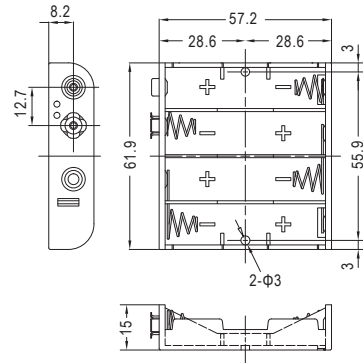
GSN-32-2SC



GSN-33-1SC



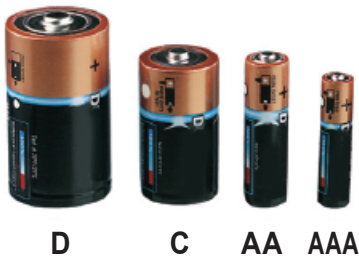
GSN-34-2SC



NEW



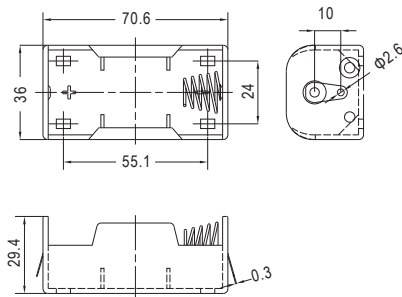
Battery type:



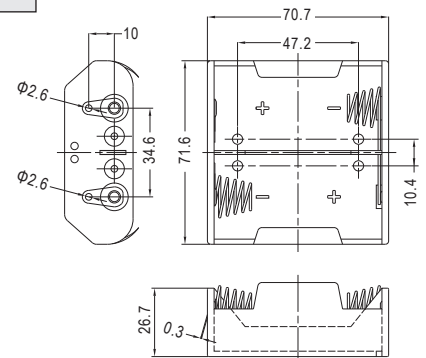
Part No.	Description
GSN-11-1SL	1 X D BATTERY HOLDER WITH SOLDER LUG
GSN-12-1SL	2 X D BATTERY HOLDER WITH SOLDER LUG
GSN-14-2SL	4 X D BATTERY HOLDER WITH SOLDER LUG
GSN-16-1SL	6 X D BATTERY HOLDER WITH SOLDER LUG
GSN-22-1SL	2 X C BATTERY HOLDER WITH SOLDER LUG
GSN-24-2SL	4 X C BATTERY HOLDER WITH SOLDER LUG
GSN-31-1SL	1 X AA BATTERY HOLDER WITH SOLDER LUG
GSN-32-2SL	2 X AA BATTERY HOLDER WITH SOLDER LUG
GSN-32-1SL	2 X AA BATTERY HOLDER WITH SOLDER LUG
GSN-33-1SL	3 X AA BATTERY HOLDER WITH SOLDER LUG
GSN-34-2SL	4 X AA BATTERY HOLDER WITH SOLDER LUG
GSN-34-1SL	4 X AA BATTERY HOLDER WITH SOLDER LUG
GSN-36-2SL	6 X AA BATTERY HOLDER WITH SOLDER LUG
GSN-36-1SL	6 X AA BATTERY HOLDER WITH SOLDER LUG
GSN-42-1SL	2 X AAA BATTERY HOLDER WITH SOLDER LUG
GSN-38-2SL	8 X AA BATTERY HOLDER WITH SOLDER LUG

Holder Material	Spring / Finish	Terminal / Finish	Solder lug
PP	Steel / Nickel plating	Brass / Nickel plating	Brass / Nickel plating

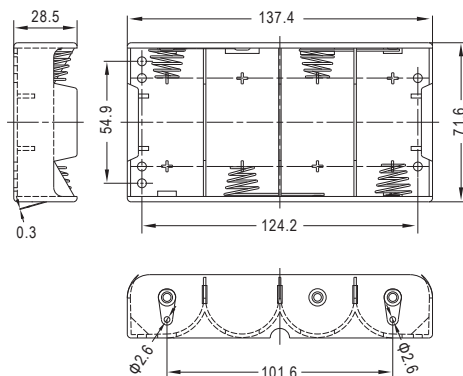
GSN-11-1SL



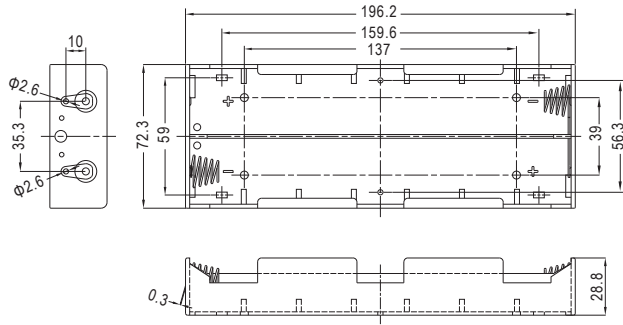
GSN-12-1SL



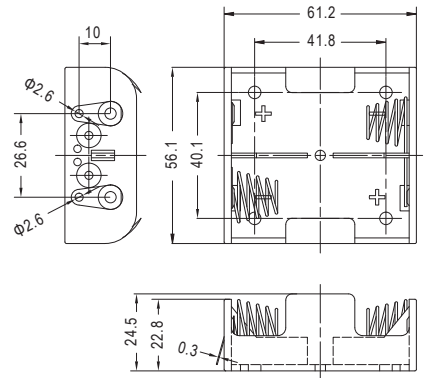
GSN-14-2SL



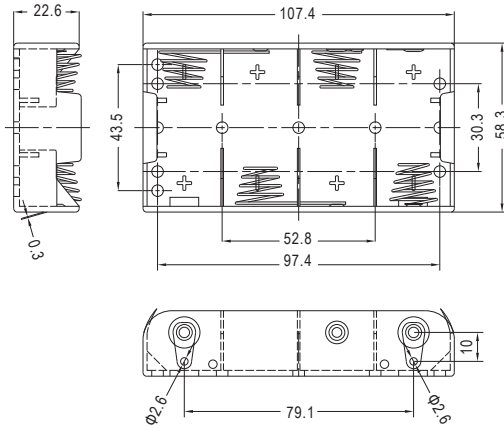
GSN-16-1SL



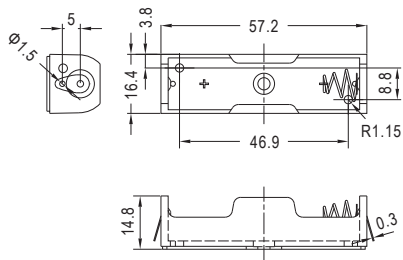
GSN-22-1SL



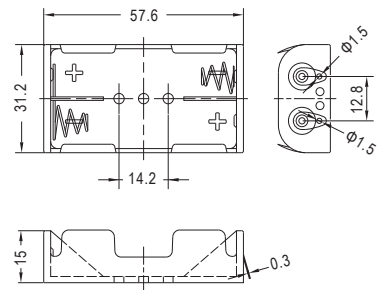
GSN-24-2SL



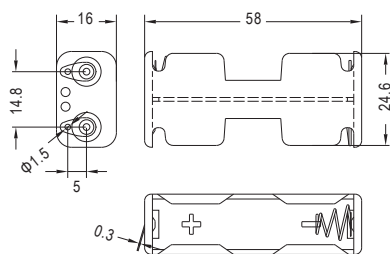
GSN-31-1SL



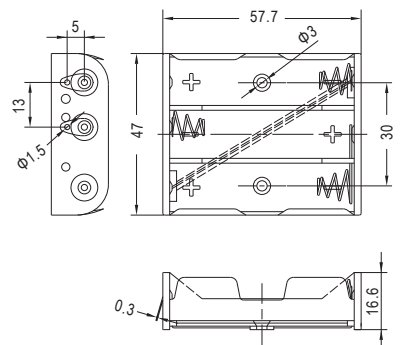
GSN-32-2SL



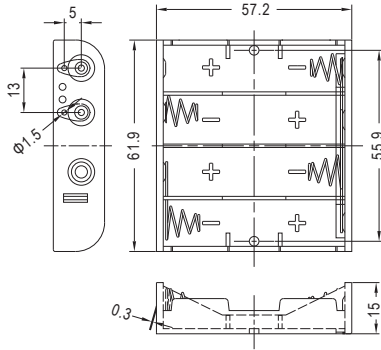
GSN-32-1SL



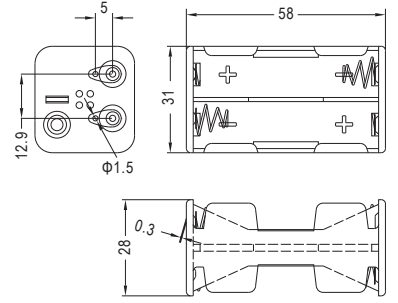
GSN-33-1SL



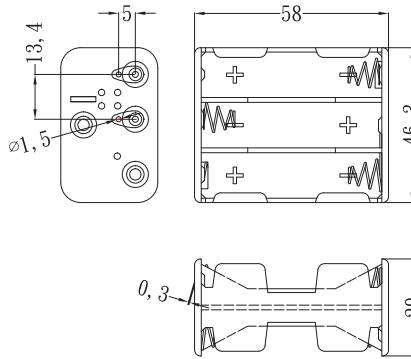
GSN-34-2SL



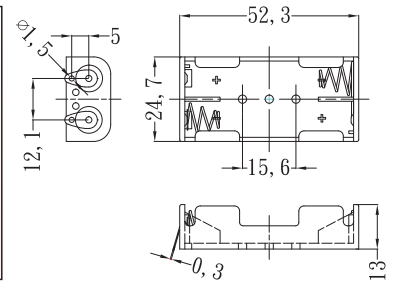
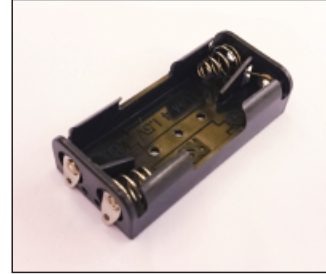
GSN-34-1SL



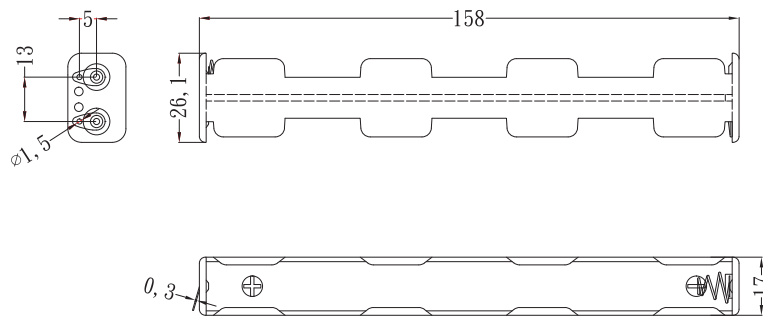
GSN-36-1SL



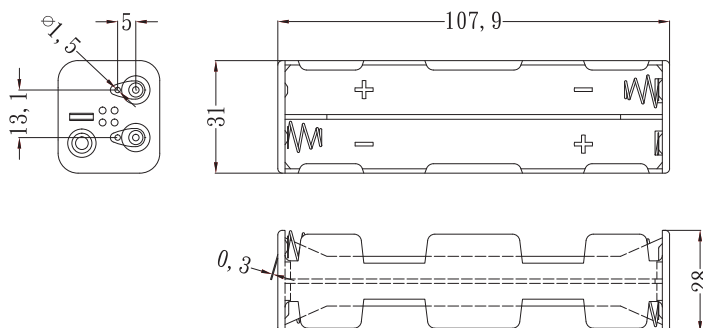
GSN-42-1SL



GSN-36-2SL



GSN-38-2SL



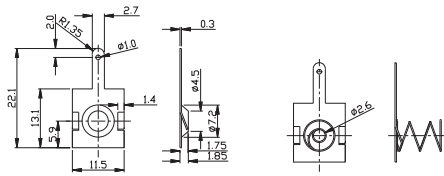
Battery Contact Kits ("AA")

AA (UM3)



G0311

30310-000(X1)+30320-000(X1)



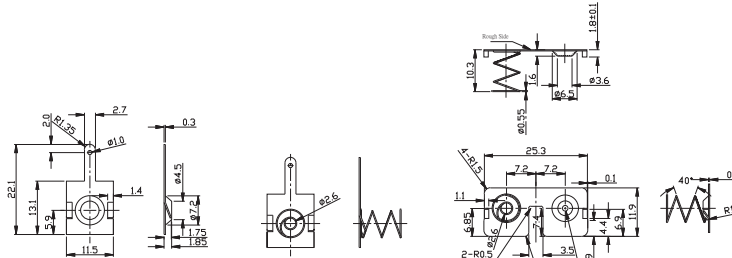
30310-000

30320-000

Part no.	Battery
G0311	AA (UM3) X 1
G0310	AA (UM3) X 2
G0313	AA (UM3) X 3
G0312	AA (UM3) X 4

G0310

30310-000(X1)+30320-000(X1)+30500-000(X1)



30310-000

30320-000

30500-000

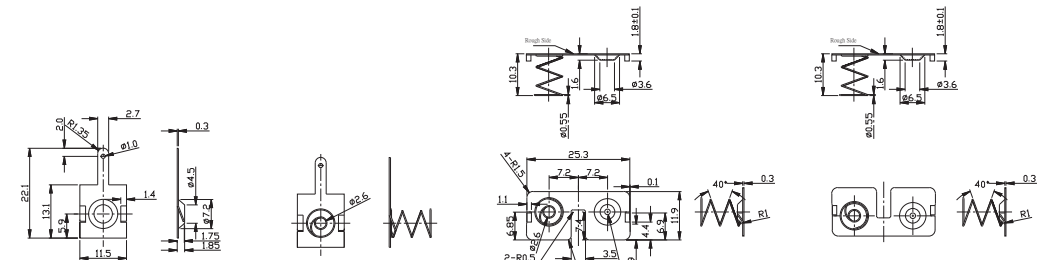
	Metal Parts	Spring
Material	SPTe (tin plate)	Steel
Finish	Tin plated	Nickel plated

● Example: G909G with G0310



G0313

30310-000(X1)+30320-000(X1)+30500-000(X1)+30500-040(X1)



30310-000

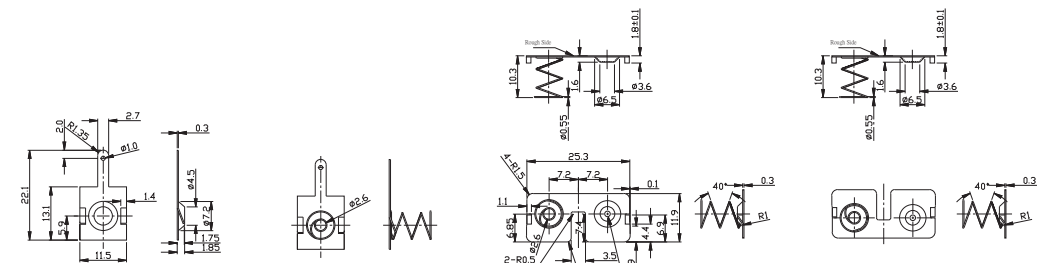
30320-000

30500-000

30500-040

G0312

30310-000(X1)+30320-000(X1)+30500-000(X1)+30500-040(X2)



30310-000

30320-000

30500-000

30500-040

Battery Contact Kits ("AAA")

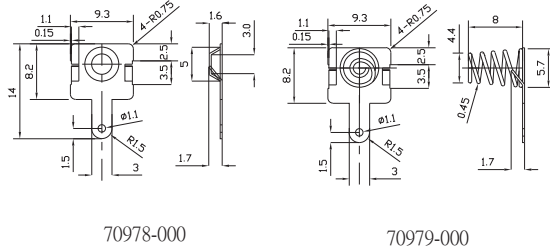
AAA (UM4)



Part no.	Battery
G0411	AAA (UM4) X 1
G0410	AAA (UM4) X 2
G0413	AAA (UM4) X 3
G0412	AAA (UM4) X 4



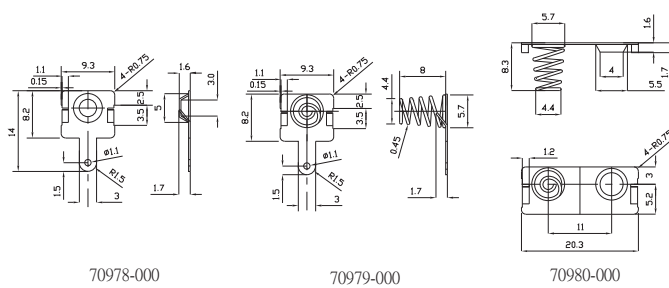
70978-000(X1)+70979-000



	Metal Parts	Spring
Material	SPTe (tin plate)	Steel
Finish	Tin plated	Nickel plated



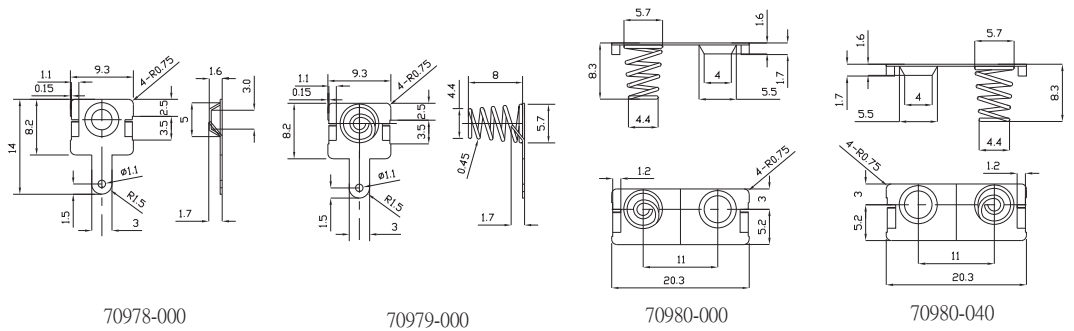
70978-000(X1)+70979-000(X1)+70980-000(X1)



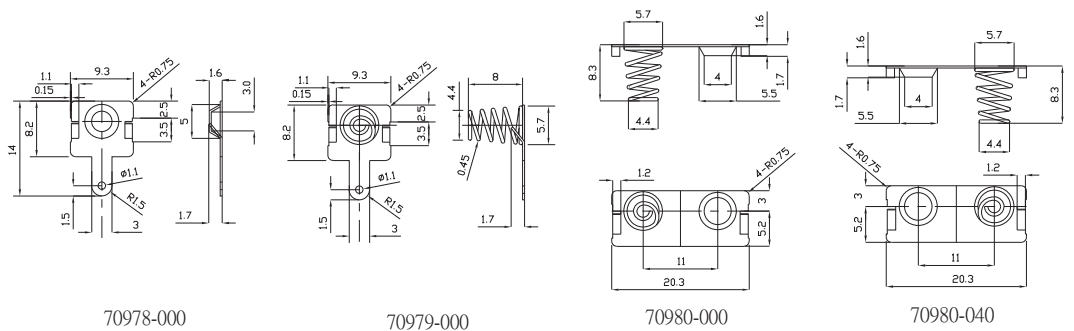
● Example: G808B(BC) with G0412

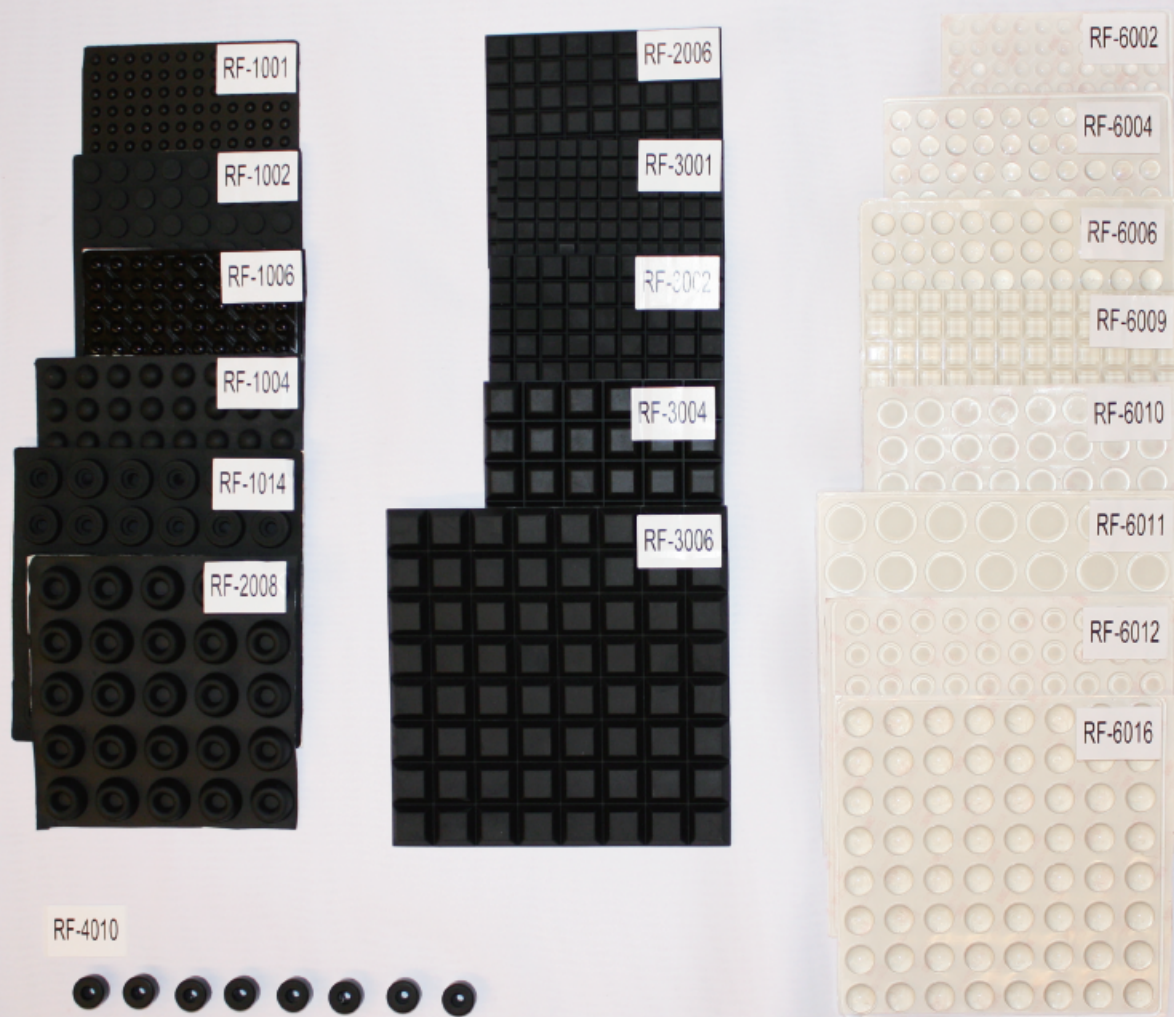


70978-000(X1)+70979-000(X1)+70980-000(X1)+70980-040(X1)



70978-000(X1)+70979-000(X1)+70980-000(X1)+70980-040(X2)





PRODUCT INFORMATION

- Self-adhesive(with 3M glue)
- Flat-round, square, round style are available for selection.
- Rubber is black.
- PU is clear.
- Designed to meet with RoHS compliance.

Item Number	Material	Description	External Dimension(mm)
RF-1001	Rubber	ROUND HEMISPHERE STYLE	H:3.0mm D:6.0mm
RF-1002	Rubber	FLAT-ROUND STYLE	H:3.0mm D:11.5mm
RF-1004	Rubber	ROUND HEMISPHERE STYLE	H:5.0mm D:12.0mm
NEW RF-1006	Rubber	ROUND HEMISPHERE STYLE	H:2.5mm D:8.0mm
NEW RF-1014	Rubber	FLAT-ROUND STYLE	H:7.3mm D:20.0mm
RF-2006	Rubber	SQUARE STYLE	H:3.5mm W:13.0mm L:13.0mm
RF-2008	Rubber	ROUND STYLE	H:10.0mm D:22.0mm
RF-3001	Rubber	SQUARE STYLE	H:5.0mm W:10.0mm L:10.0mm
RF-3002	Rubber	SQUARE STYLE	H:5.7mm W:12.5mm L:12.5mm
RF-3004	Rubber	SQUARE STYLE	H:8.0mm W:20.0mm L:20.0mm
NEW RF-3006	Rubber	SQUARE STYLE	H:7.8mm D:20.5mm
RF-4010	Rubber	ROUND STYLE	H:10.0mm D:16.0mm

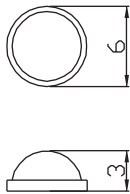
Rubber Feet

NEW
NEW

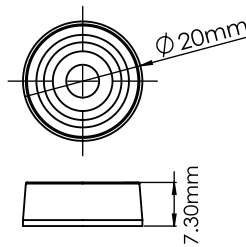
Item Number	Material	Description	External Dimension(mm)
RF-6002	PU	ROUND HEMISPHERE STYLE	H:2.5mm D:8.0mm
RF-6004	PU	ROUND STYLE	H:5.6mm D:10.3mm
RF-6006	PU	ROUND HEMISPHERE STYLE	H:6.0mm D:11.7mm
RF-6009	PU	SQUARE STYLE	H:5.4mm W:12.4mm L:12.4mm
RF-6010	PU	ROUND HEMISPHERE STYLE	H:2.7mm D:15mm
RF-6011	PU	ROUND HEMISPHERE STYLE	H:3.2mm D:20.5mm
RF-6012	PU	FLAT-ROUND STYLE	H:3.8mm D:12.5mm
RF-6016	PU	ROUND HEMISPHERE STYLE	H:8.0mm D:15.5mm

MATERIAL: RUBBER (SELF-ADHESIVE/WITH 3M GLUE) ; COLOR: BLACK

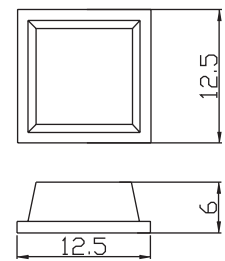
RF-1001



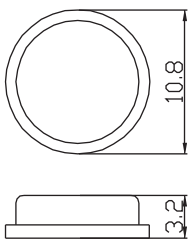
RF-1014



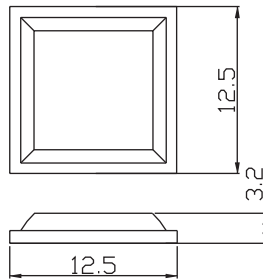
RF-3002



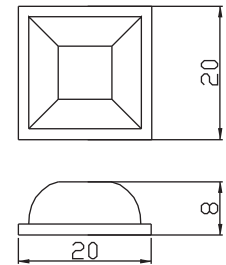
RF-1002



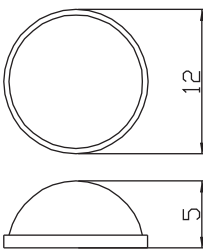
RF-2006



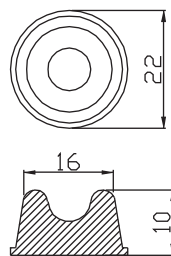
RF-3004



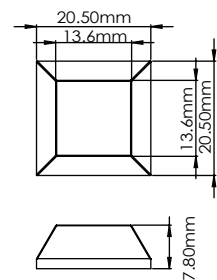
RF-1004



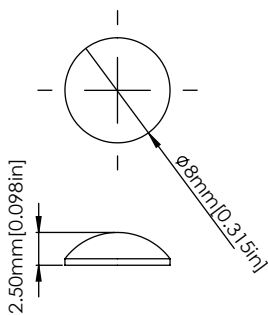
RF-2008



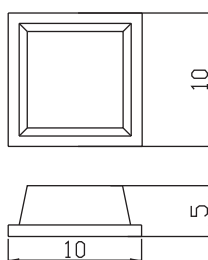
RF-3006



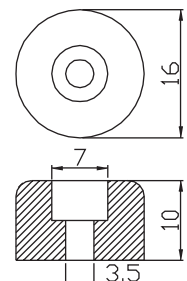
RF-1006



RF-3001



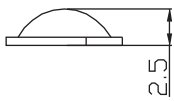
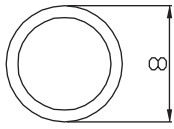
RF-4010



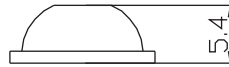
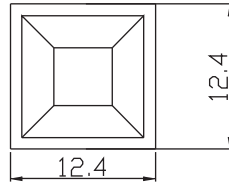
Rubber Feet

MATERIAL: PU (SELF-ADHESIVE/WITH 3M GLUE) ; COLOR: CLEAR

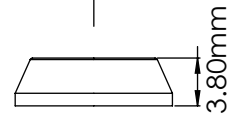
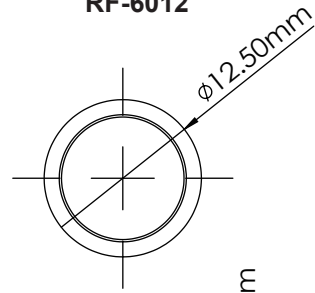
RF-6002



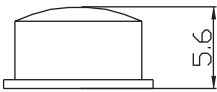
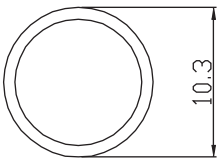
RF-6009



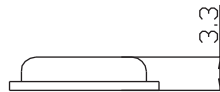
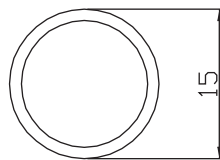
RF-6012



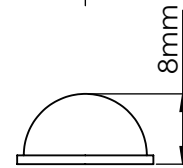
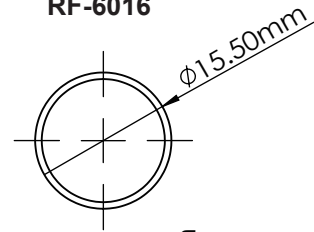
RF-6004



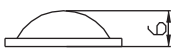
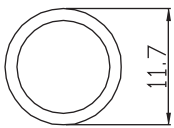
RF-6010



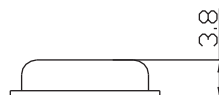
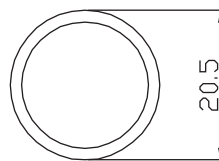
RF-6016

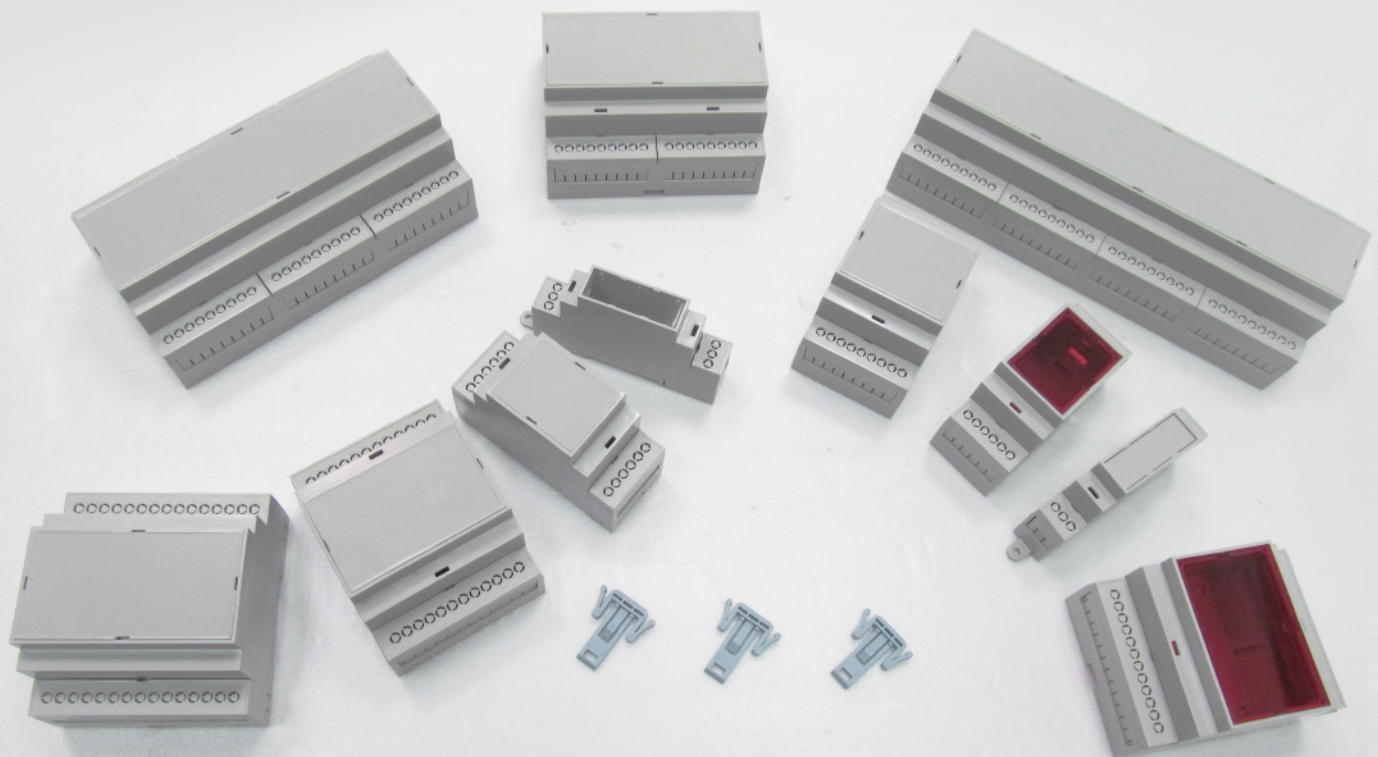


RF-6006



RF-6011





PRODUCT INFORMATION

MATERIAL:

- High impact Polycarbonate/ABS UL94-V0, grey.

FEATURES:

- DIN rail module boxes supplied in a range of 8 different sizes (1M, 2M ,3M, 4M ,5M, 6M, 9M & 12M).
- Designed to incorporate DIN EN60715 Rail.
- Easy assembly snap fit construction.
- Snap fit terminal covers available in either transparent or IR Red polycarbonate UL94-V0.
- Available with snap fit grey guards.

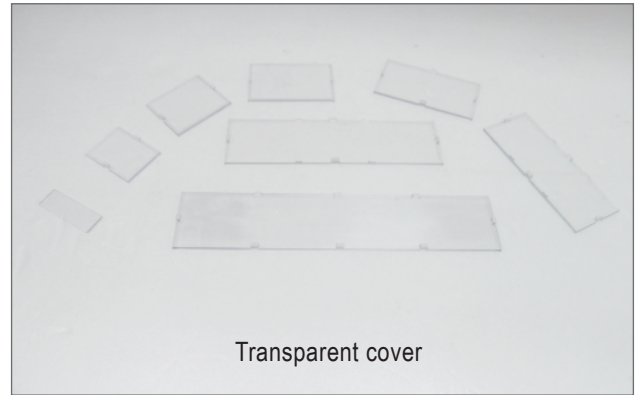
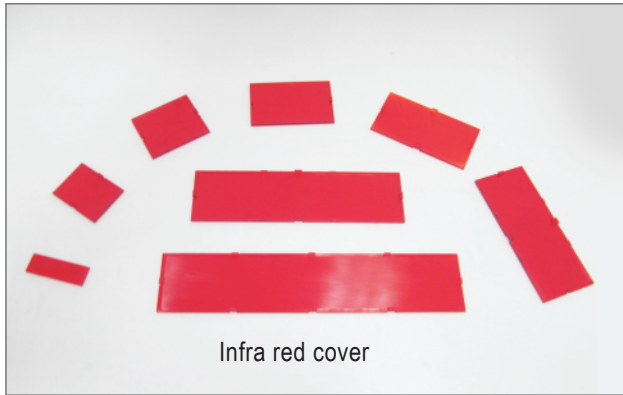
Content D4MG



ITEM No.	PRODUCT DESCRIPTION	COLOR	EXTERNAL DIMENSION(mm)
D1MG	DIN-RAIL MODULE BOX , 1MG	Grey	18.1 X 90.2 X 57.5
D2MG	DIN-RAIL MODULE BOX , 2MG	Grey	36.3 X 90.2 X 57.5
D3MG	DIN-RAIL MODULE BOX , 3MG	Grey	53.3 X 90.2 X 57.5
D4MG	DIN-RAIL MODULE BOX , 4MG	Grey	71 X 90.2 X 57.5
NEW D5MG	DIN-RAIL MODULE BOX , 5MG	Grey	83.6 X 90.2 X 57.5
D6MG	DIN-RAIL MODULE BOX , 6MG	Grey	106.25 X 90.2 X 57.5
D9MG	DIN-RAIL MODULE BOX , 9MG	Grey	159.5 X 90.2 X 57.5
NEW D12MG	DIN-RAIL MODULE BOX , 12MG	Grey	212 X 90.2 X 57.5

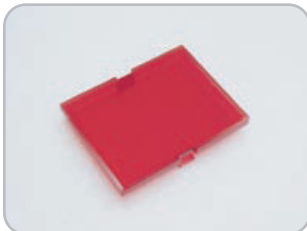
COVER (Transparent & Infra red cover) , WALL CLIP

COVER (Transparent & Infra red cover)



ITEM No.	PRODUCT DESCRIPTION	MATERIAL	EXTERNAL DIMENSION(mm)
D1MG-COVER-C	Transparent cover for D1MG use	PC-V0	42 x 14 x 1.9
D1MG-COVER-IR	Infra red cover for D1MG use	PC-V0	42 x 14 x 1.9
D2MG-COVER-C	Transparent cover for D2MG use	PC-V0	42 x 32.1 x 2.5
D2MG-COVER-IR	Infra red cover for D2MG use	PC-V0	42 x 32.1 x 2.5
D3MG-COVER-C	Transparent cover for D3MG use	PC-V0	42 x 49 x 2.5
D3MG-COVER-IR	Infra red cover for D3MG use	PC-V0	42 x 49 x 2.5
D4MG-COVER-C	Transparent cover for D4MG use	PC-V0	42 x 66.8 x 2.5
D4MG-COVER-IR	Infra red cover for D4MG use	PC-V0	42 x 66.8 x 2.5
NEW D5MG-COVER-C	Transparent cover for D5MG use	PC-V0	42 x 79.3 x 2.5
NEW D5MG-COVER-IR	Infra red cover for D5MG use	PC-V0	42 x 79.3 x 2.5
D6MG-COVER-C	Transparent cover for D6MG use	PC-V0	42 x 102.1 x 2.5
D6MG-COVER-IR	Infra red cover for D6MG use	PC-V0	42 x 102.1 x 2.5
D9MG-COVER-C	Transparent cover for D9MG use	PC-V0	42 x 155.4 x 2.5
D9MG-COVER-IR	Infra red cover for D9MG use	PC-V0	42 x 155.4 x 2.5
NEW D12MG-COVER-C	Transparent cover for D12MG use	PC-V0	42 x 207.9 x 2.5
NEW D12MG-COVER-IR	Infra red cover for D12MG use	PC-V0	42 x 207.9 x 2.5

Example:



D2MG-COVER-IR



D2MG
with D2MG-COVER-IR

Example:



D9MG-COVER-C



D9MG
with D9MG-COVER-C

WALL CLIP

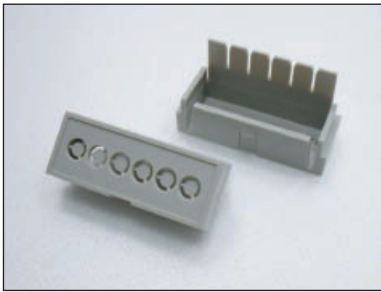
Example:



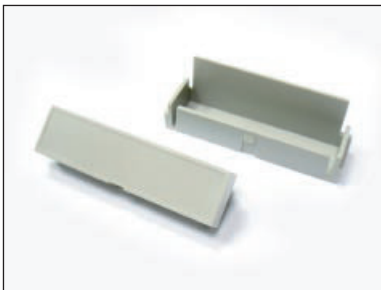
ITEM No.	PRODUCT DESCRIPTION
DXMG-WALL CLIP	Wall clip for DIN-Rail module box use

Guard (Perforated, Solid and Pre-drilled)

GUARD



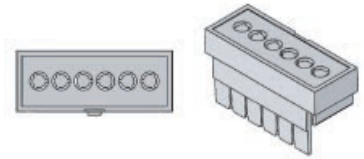
D2MG-GUARD
(Perforated)



D3MG/D6MG/D9MG-GUARD-NO
(Solid)

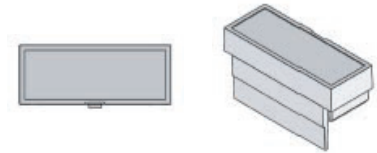


D1MG-GUARD-HH
(Pre-drilled)



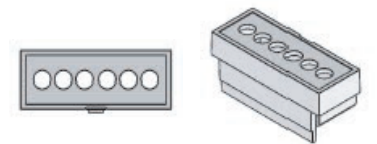
TYPE A : Perforated

ITEM No.	TYPE	PRODUCT DESCRIPTION	SALES PACKAGE
D1MG-GUARD	Perforated	For D1MG use	2pcs/bag
D2MG-GUARD	Perforated	For D2MG use	2pcs/bag
D4MG-GUARD	Perforated	For D4MG use	2pcs/bag
NEW D5MG-GUARD	Perforated	For D5MG use	2pcs/bag
D3MG/D6MG/D9MG-GUARD	Perforated	For D3MG/D6MG/D9MG /D12MG use	2pcs/bag



TYPE B : Solid

ITEM No.	TYPE	PRODUCT DESCRIPTION	SALES PACKAGE
D1MG-GUARD-NO	Solid	For D1MG use	2pcs/bag
D2MG-GUARD-NO	Solid	For D2MG use	2pcs/bag
D4MG-GUARD-NO	Solid	For D4MG use	2pcs/bag
NEW D5MG-GUARD-NO	Solid	For D5MG use	2pcs/bag
D3MG/D6MG/D9MG-GUARD-NO	Solid	For D3MG/D6MG/D9MG /D12MG use	2pcs/bag



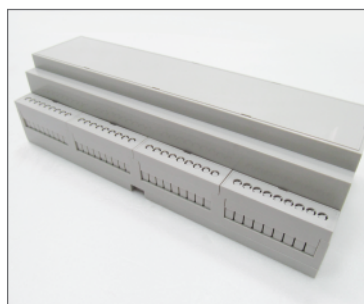
TYPE C : Pre-drilled

ITEM No.	TYPE	PRODUCT DESCRIPTION	SALES PACKAGE
D1MG-GUARD-HH	Pre-drilled	For D1MG use	2pcs/bag
D2MG-GUARD-HH	Pre-drilled	For D2MG use	2pcs/bag
D4MG-GUARD-HH	Pre-drilled	For D4MG use	2pcs/bag
NEW D5MG-GUARD-HH	Pre-drilled	For D5MG use	2pcs/bag
D3MG/D6MG/D9MG-GUARD-HH	Pre-drilled	For D3MG/D6MG/D9MG /D12MG use	2pcs/bag

Example



D6MG
(with D3/D6/D9MG-GUARD)



D12MG
(with D3MG/D6MG/D9MG-GUARD)



D1MG
(with D1MG-GUARD-HH)

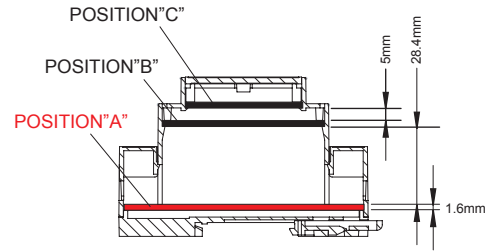
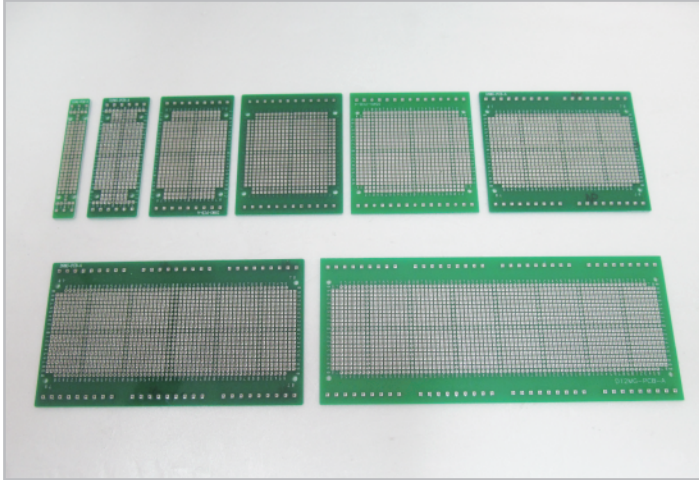
Example (Sales Package)



(2pcs/bag)

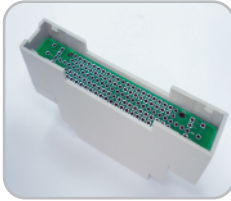
PCB and Terminal Block

PCB of position "A" for DXMG use

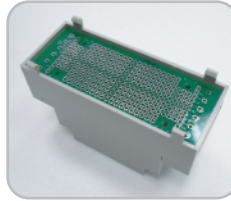


Part No.	Dimension (mm)		
	LENGTH	WIDTH	THICKNESS
D1MG-PCB-A	14.3	86.9	1.6
D2MG-PCB-A	32.8	86.9	1.6
D3MG-PCB-A	50	86.9	1.6
D4MG-PCB-A	67.8	86.9	1.6
NEW D5MG-PCB-A	80	86.9	1.6
D6MG-PCB-A	102.8	86.9	1.6
D9MG-PCB-A	156.2	86.9	1.6
NEW D12MG-PCB-A	208.4	86.9	1.6

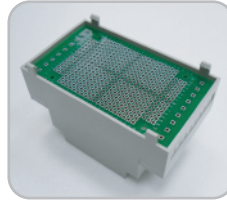
Example:



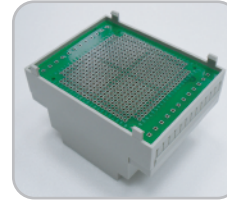
D1MG
with D1MG-PCB-A



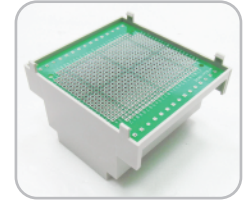
D2MG
with D2MG-PCB-A



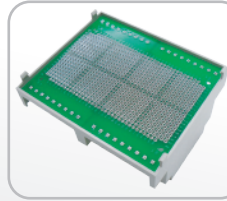
D3MG
with D3MG-PCB-A



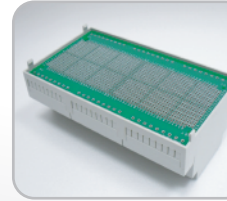
D4MG
with D4MG-PCB-A



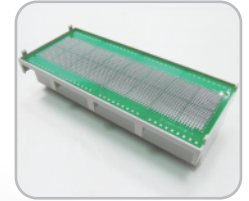
D5MG
with D5MG-PCB-A



D6MG
with D6MG-PCB-A

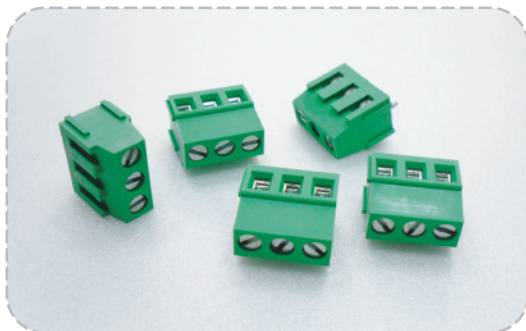


D9MG
with D9MG-PCB-A



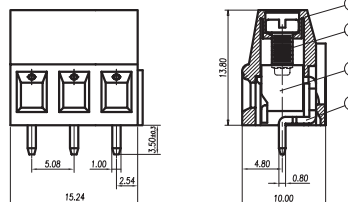
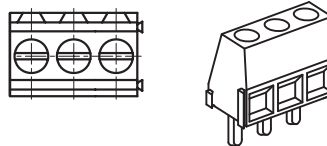
D12MG
with D12MG-PCB-A

3WAY of terminal block for DXMG use



Part No.	Product description
DXMG-3WAY	3WAY terminal block for D2MG/D3MG /D4MG/D5MG/D6MG/D9MG/D12MG use

DXMG-3WAY DRAWING:



NOTES:

- Rating: 300V 20A (IEC 250V 24A)
PITCH: 5.08mm
- Insulation Withstands Voltage:
AC 2000V at 1 minute
- Insulation Resistance:
500M Ω or more at DC500V
- Using Temperature Range:
-40°C~+105°C
- Suitable Electric Wire:
24~12AWG (IEC 0.5~2.5mm²)
- Torque Value: 4 kg-cm
- RoHS compliance

Example:

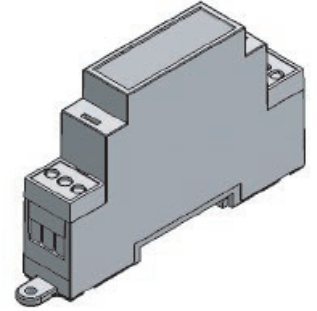
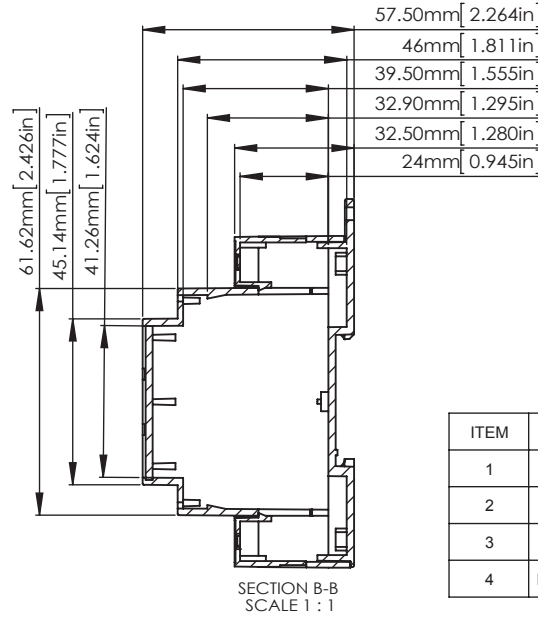
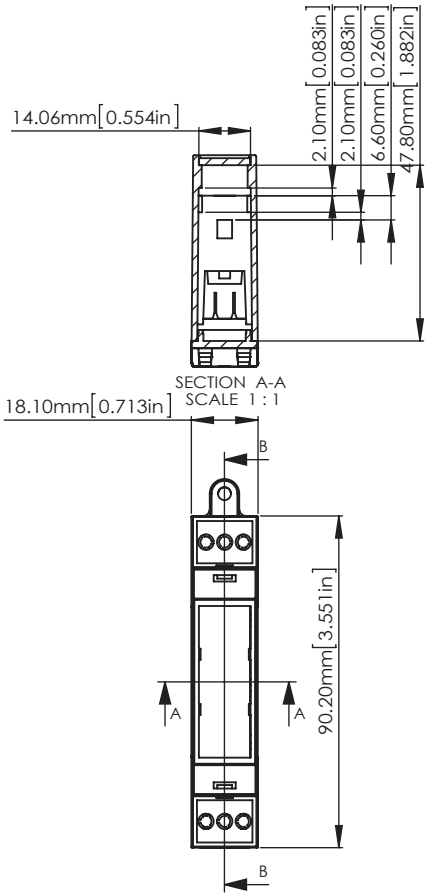


D2MG with
3WAY of terminal block



D6MG with
3WAY of terminal block

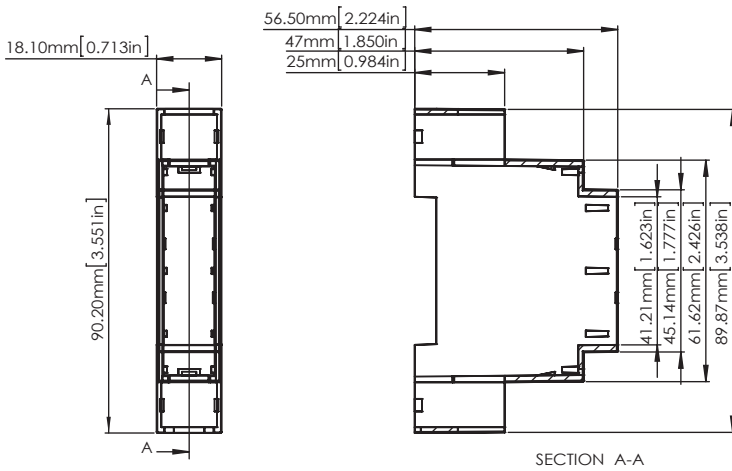
D1MG



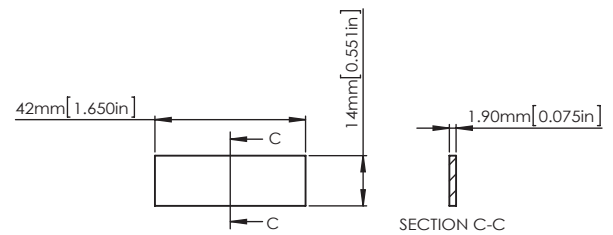
ASSEMBLY

ITEM	DESCRIPTION	MATERIAL	COLOUR	UNIT
1	D1MG-BODY	PC/ABS(UL94-V0)	GREY	1
2	D1MG-BASE	PC/ABS(UL94-V0)	GREY	1
3	D1MG-COVER	PC/ABS(UL94-V0)	GREY	1
4	D1MG-GUARD	PC/ABS(UL94-V0)	GREY	2

D1MG-BODY

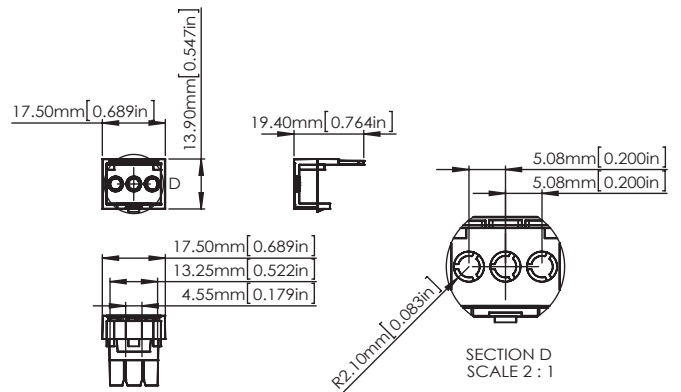
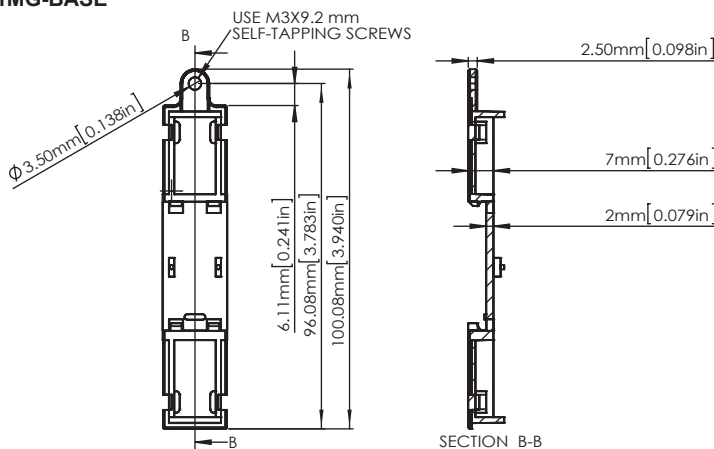


D1MG-COVER

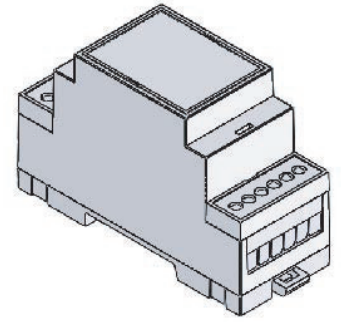
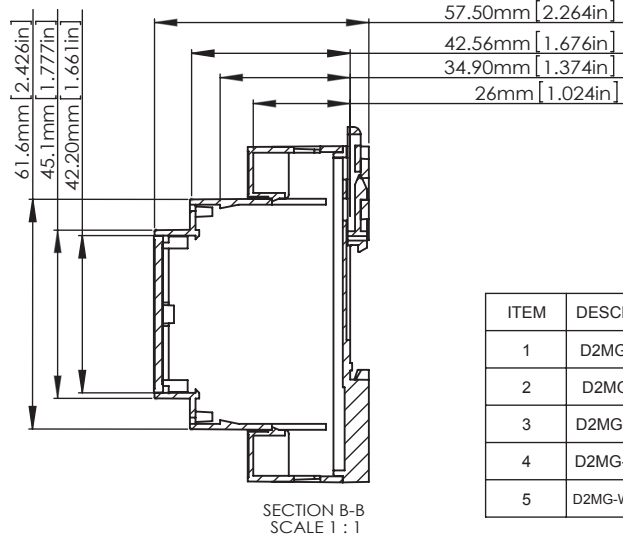
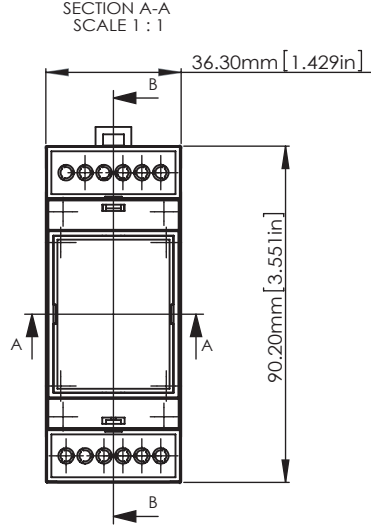
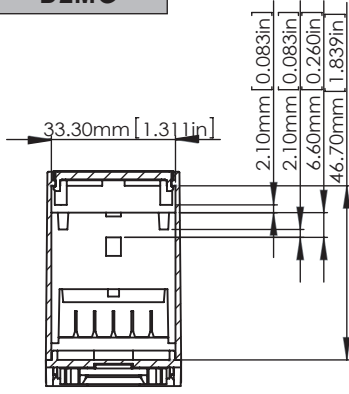


D1MG-GUARD

D1MG-BASE



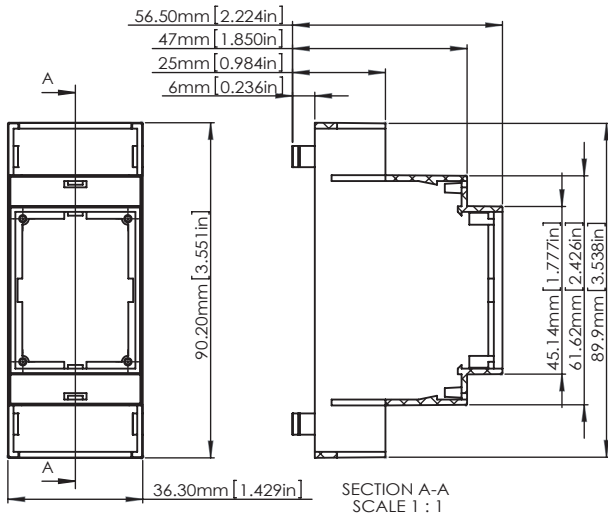
D2MG



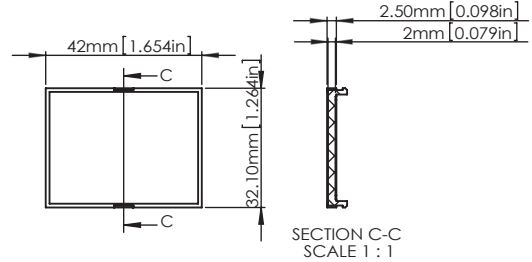
ASSEMBLY

ITEM	DESCRIPTION	MATERIAL	COLOUR	UNIT
1	D2MG-BODY	PC/ABS(UL94-V0)	GREY	1
2	D2MG-BASE	PC/ABS(UL94-V0)	GREY	1
3	D2MG-COVER	PC/ABS(UL94-V0)	GREY	1
4	D2MG-GUARD	PC/ABS(UL94-V0)	GREY	2
5	D2MG-WALL CLIP	NYLON66(UL94-V0)	DARK GREY	1

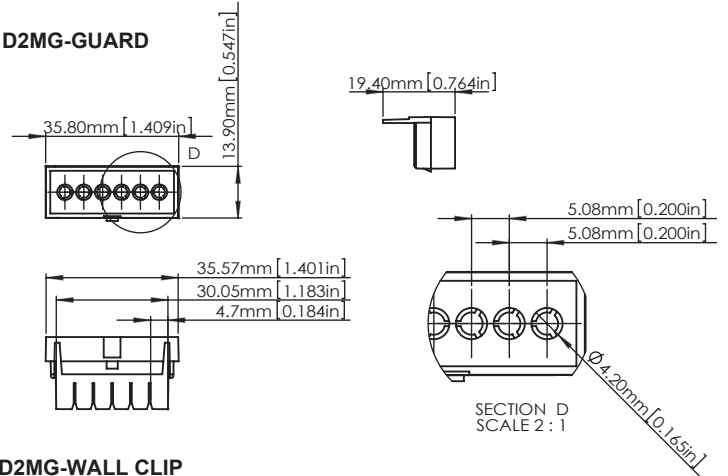
D2MG-BODY



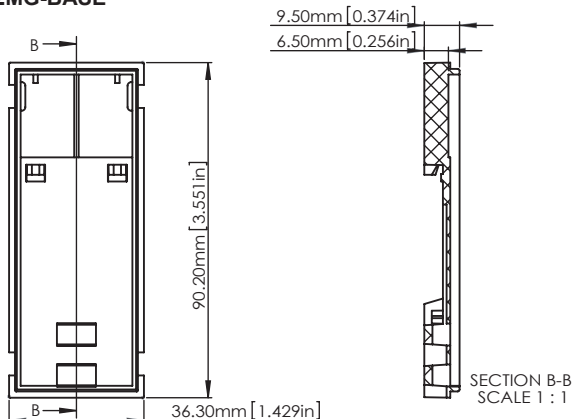
D2MG-COVER



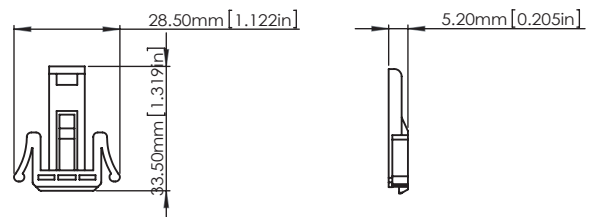
D2MG-GUARD



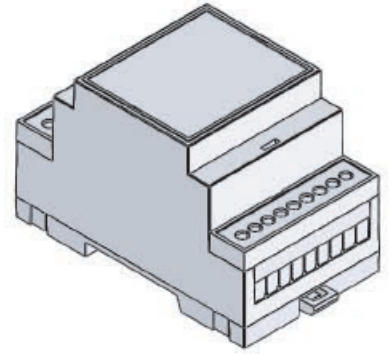
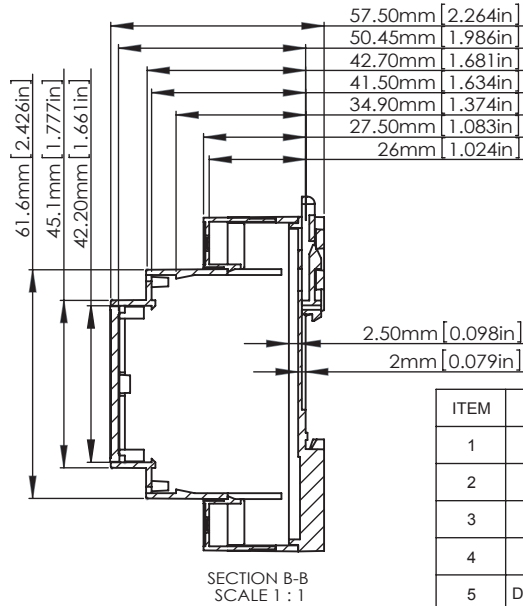
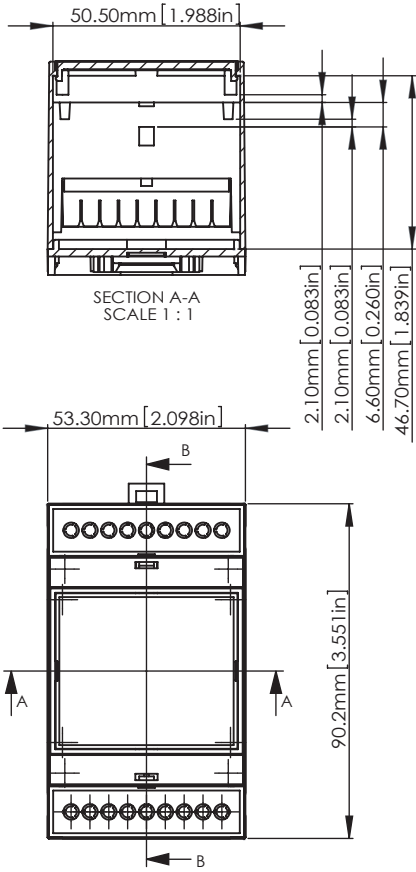
D2MG-BASE



D2MG-WALL CLIP



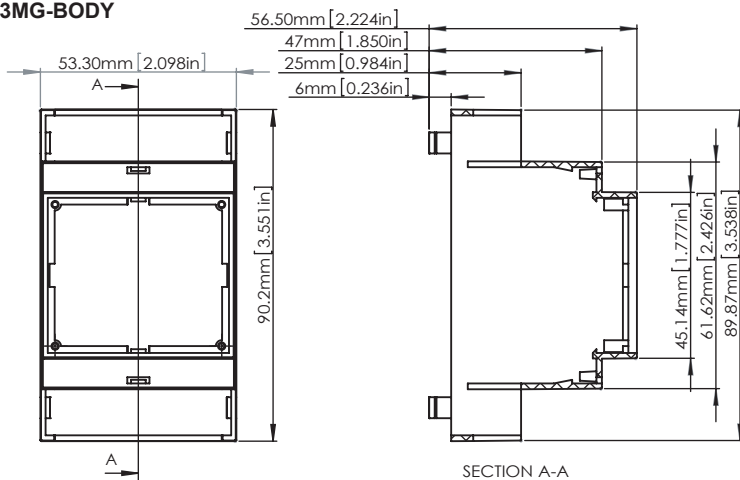
D3MG



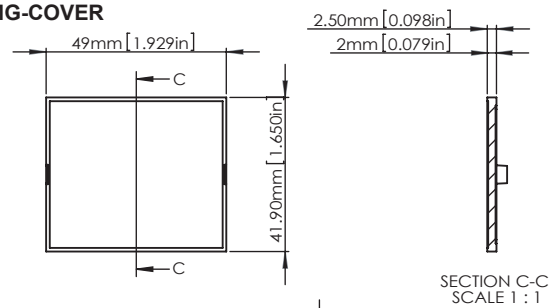
ASSEMBLY

ITEM	DESCRIPTION	MATERIAL	COLOUR	UNIT
1	D3MG-BODY	PC/ABS(UL94-V0)	GREY	1
2	D3MG-BASE	PC/ABS(UL94-V0)	GREY	1
3	D3MG-COVER	PC/ABS(UL94-V0)	GREY	1
4	D3MG-GUARD	PC/ABS(UL94-V0)	GREY	2
5	D3MG-WALL CLIP	NYLON66(UL94-V0)	DARK GREY	1

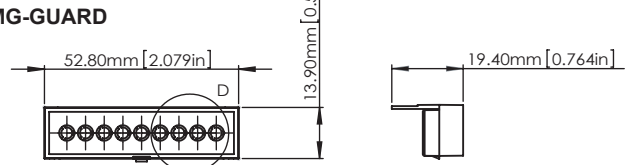
D3MG-BODY



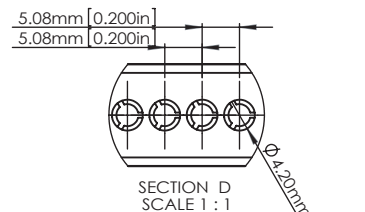
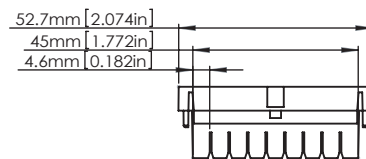
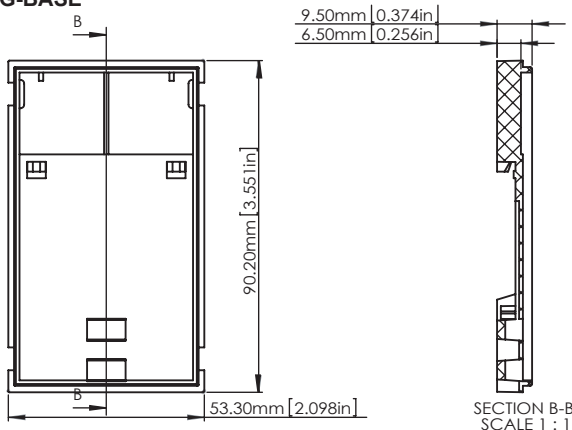
D3MG-COVER



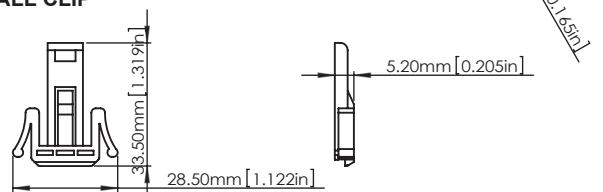
D3MG-GUARD



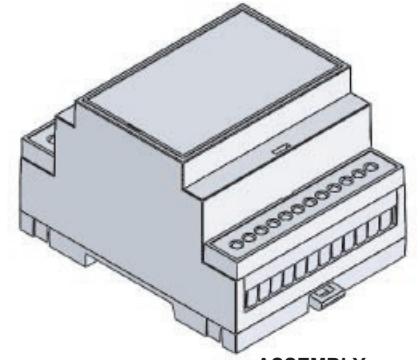
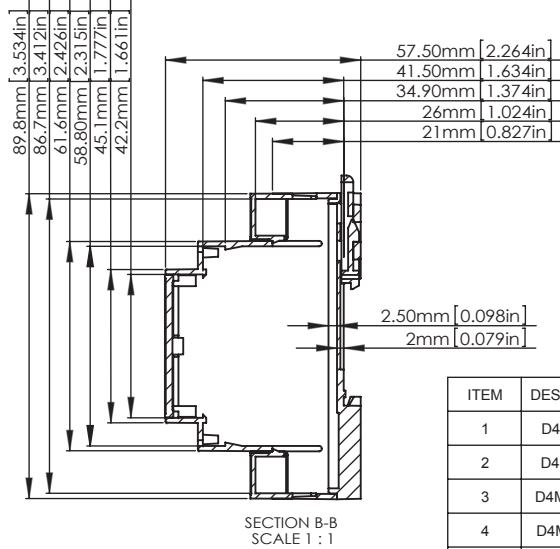
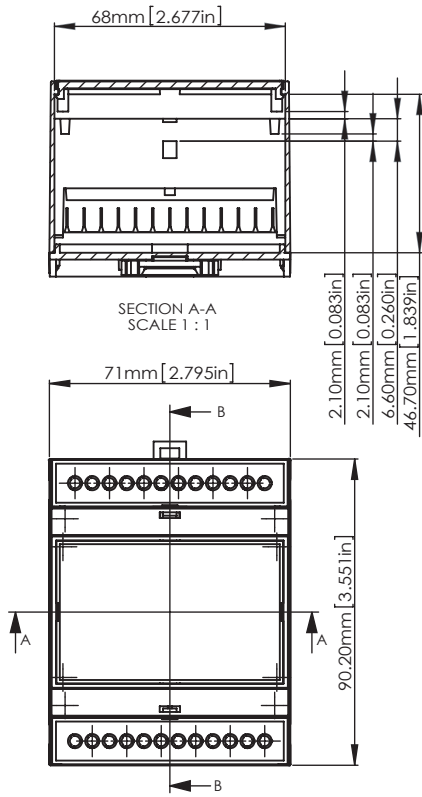
D3MG-BASE



D3MG-WALL CLIP



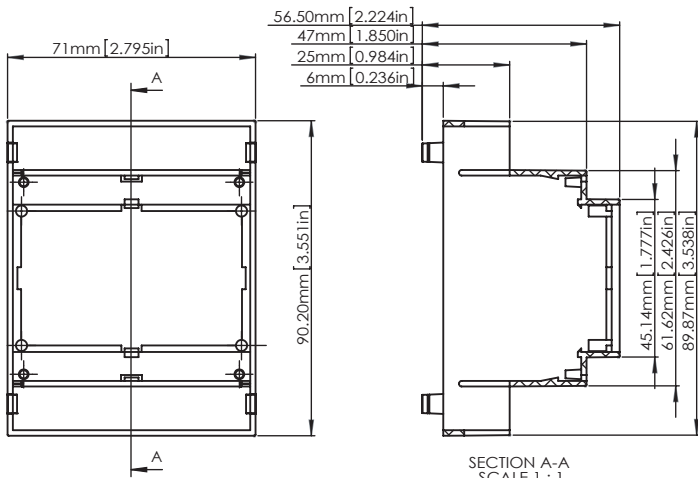
D4MG



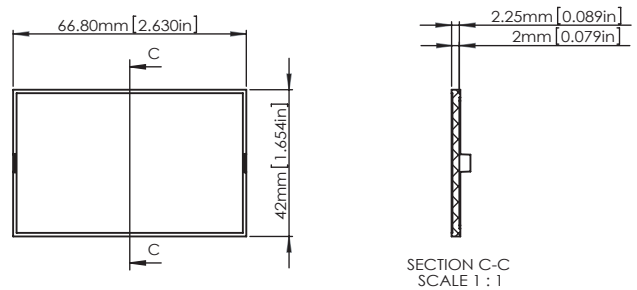
ASSEMBLY

ITEM	DESCRIPTION	MATERIAL	COLOUR	UNIT
1	D4MG-BODY	PC/ABS(UL94-V0)	GREY	1
2	D4MG-BASE	PC/ABS(UL94-V0)	GREY	1
3	D4MG-COVER	PC/ABS(UL94-V0)	GREY	1
4	D4MG-GUARD	PC/ABS(UL94-V0)	GREY	2
5	D4MG-WALL CLIP	NYLON66(UL94-V0)	DARK GREY	1

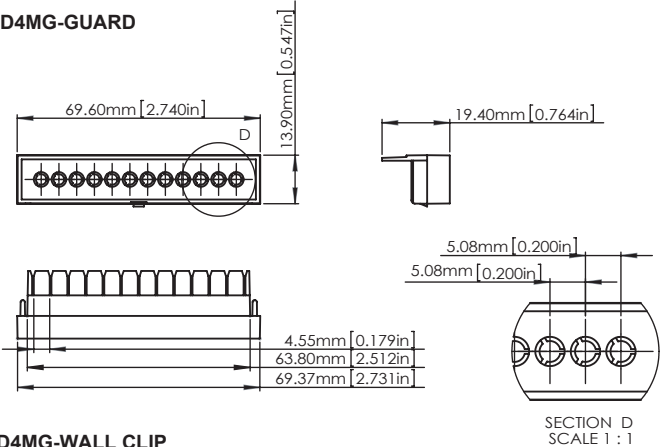
D4MG-BODY



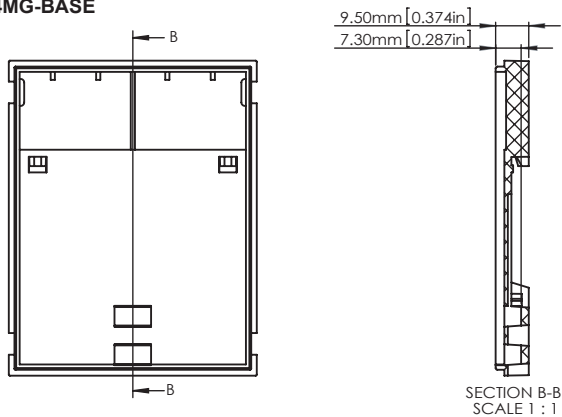
D4MG-COVER



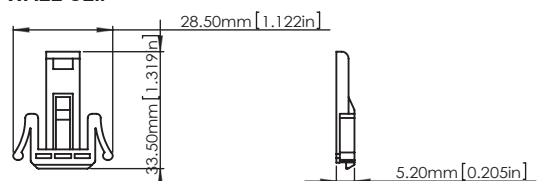
D4MG-GUARD



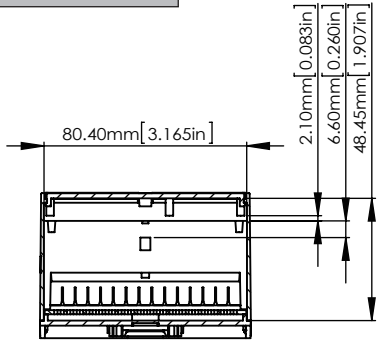
D4MG-BASE



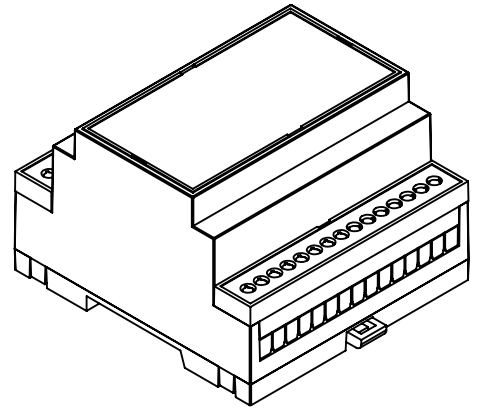
D4MG-WALL CLIP



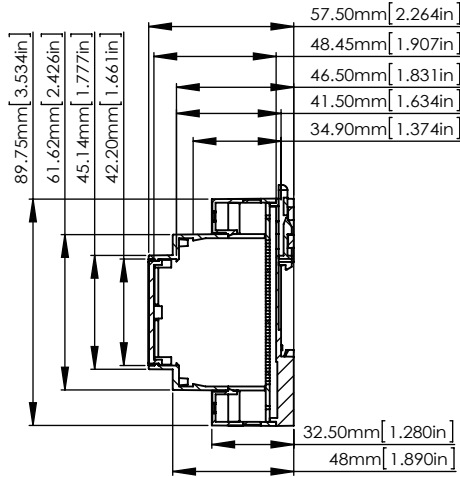
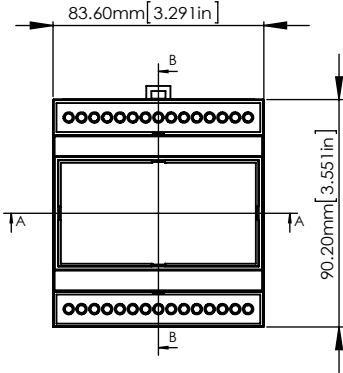
D5MG



SECTION A-A
CALE 2 : 3



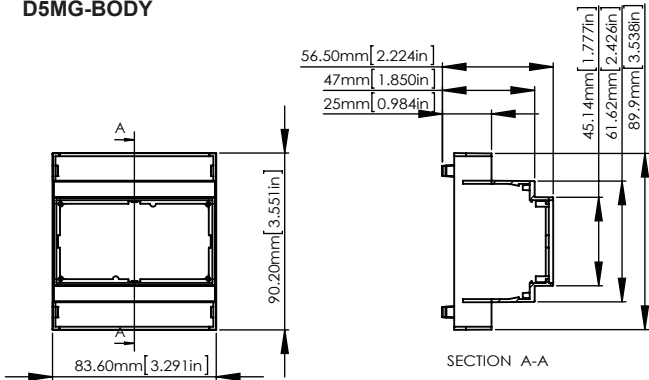
ASSEMBLY



SECTION B-B
SCALE 2 : 3

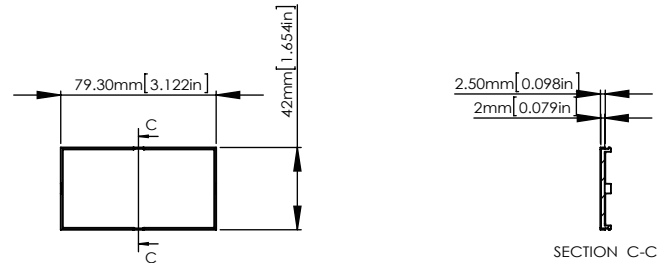
ITEM	DESCRIPTION	MATERIAL	COLOUR	UNIT
1	D5MG-BODY	PC/ABS(UL94-V0)	GREY	1
2	D5MG-BASE	PC/ABS(UL94-V0)	GREY	1
3	D5MG-COVER	PC/ABS(UL94-V0)	GREY	1
4	D5MG-GUARD	PC/ABS(UL94-V0)	GREY	2
5	D5MG-WALL CLIP	NYLON66(UL94-V0)	DARK GREY	1

D5MG-BODY



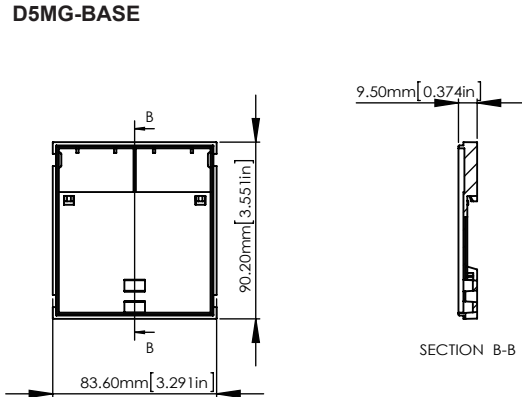
SECTION A-A

D5MG-COVER



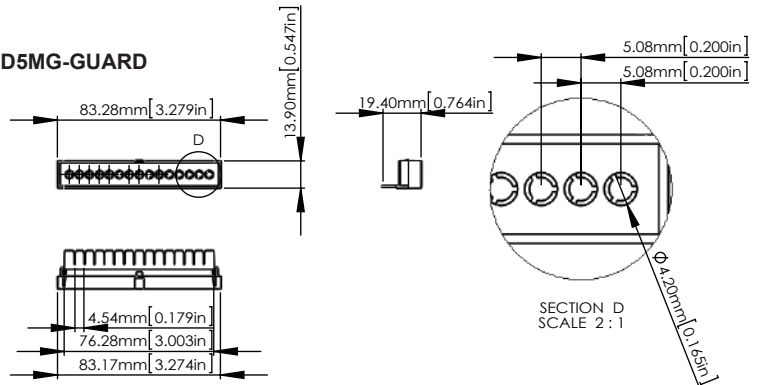
SECTION C-C

D5MG-BASE



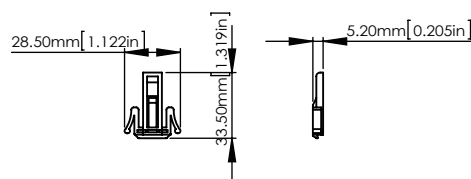
SECTION B-B

D5MG-GUARD

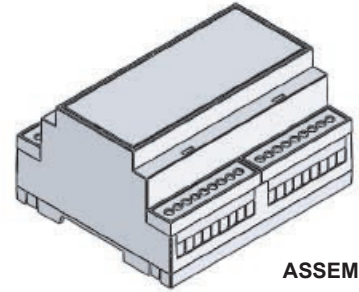
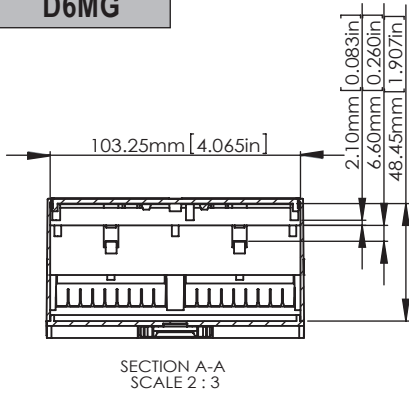


SECTION D
SCALE 2 : 1

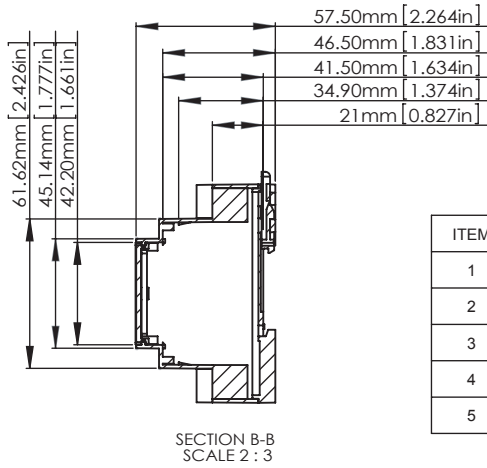
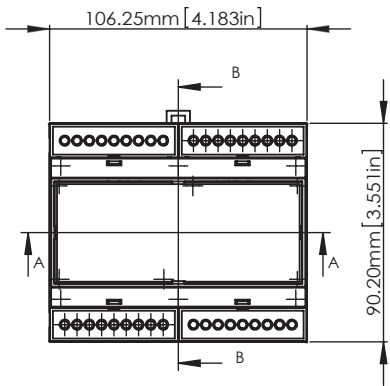
D5MG-WALL CLIP



D6MG

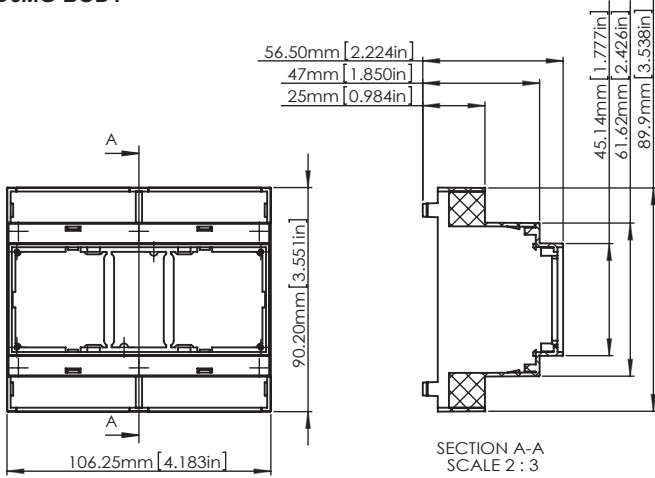


ASSEMBLY

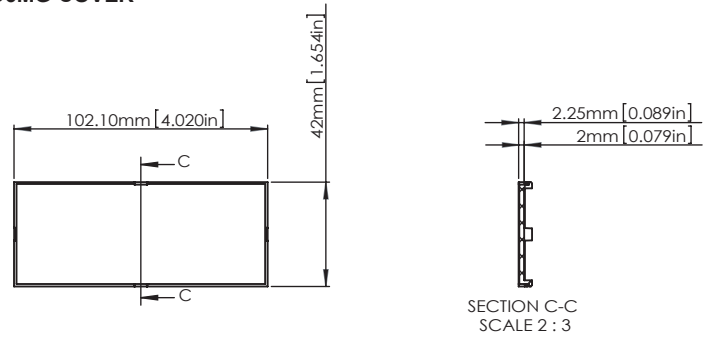


ITEM	DESCRIPTION	MATERIAL	COLOUR	UNIT
1	D6MG-BODY	PC/ABS(UL94-V0)	GREY	1
2	D6MG-BASE	PC/ABS(UL94-V0)	GREY	1
3	D6MG-COVER	PC/ABS(UL94-V0)	GREY	1
4	D6MG-GUARD	PC/ABS(UL94-V0)	GREY	4
5	D6MG-WALL CLIP	NYLON66(UL94-V0)	DARK GREY	1

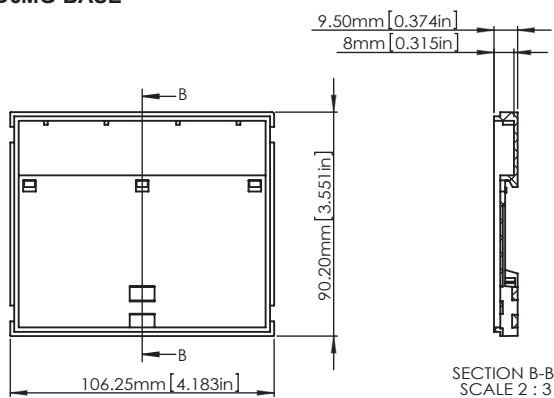
D6MG-BODY



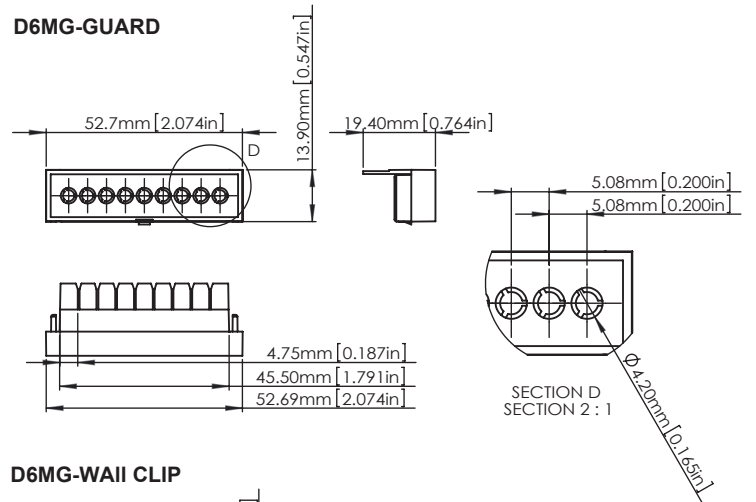
D6MG-COVER



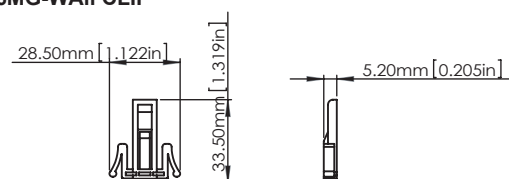
D6MG-BASE



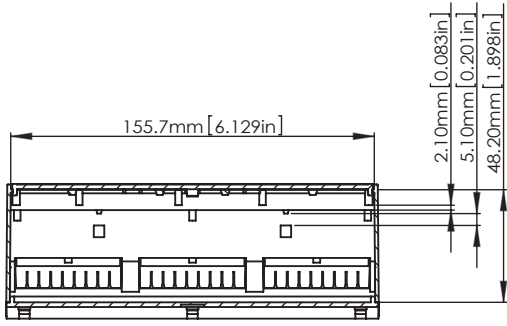
D6MG-GUARD



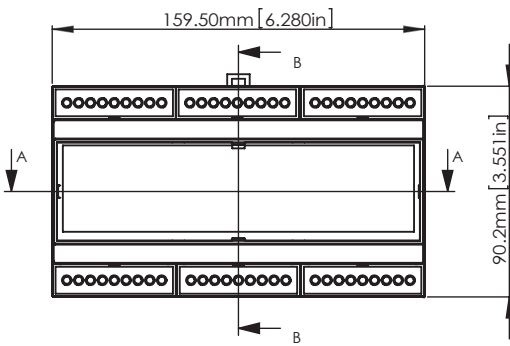
D6MG-WALL CLIP



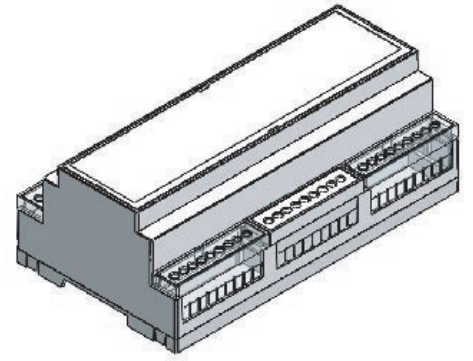
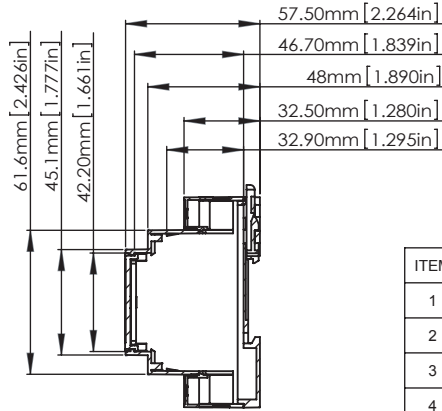
D9MG



SECTION A-A
SCALE 2 : 3



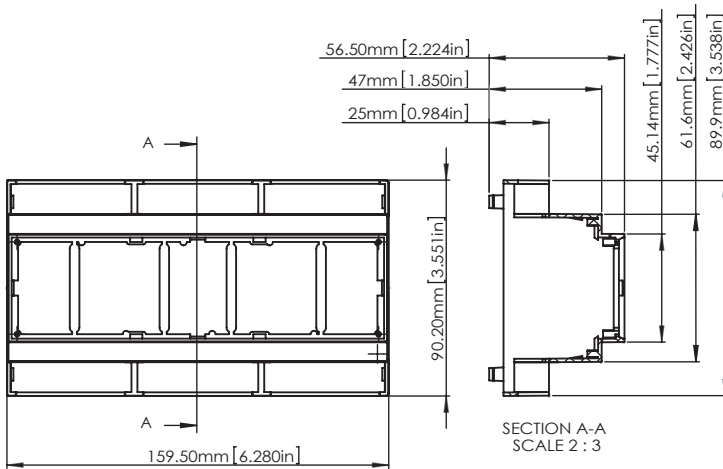
SECTION B-B
SCALE 2 : 3



ASSEMBLY

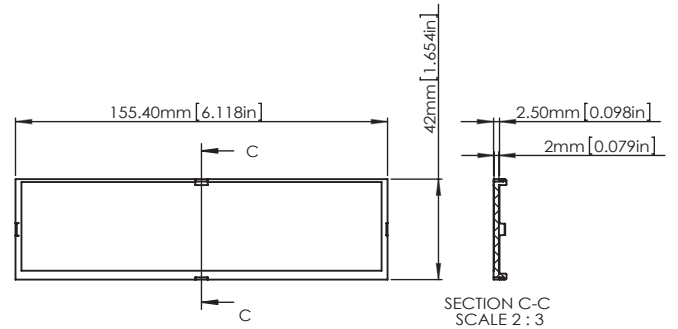
ITEM	DESCRIPTION	MATERIAL	COLOUR	UNIT
1	D9MG-BODY	PC/ABS(UL94-V0)	GREY	1
2	D9MG-BASE	PC/ABS(UL94-V0)	GREY	1
3	D9MG-COVER	PC/ABS(UL94-V0)	GREY	1
4	D9MG-GUARD	PC/ABS(UL94-V0)	GREY	6
5	D9MG-WALL CLIP	NYLON66(UL94-V0)	DARK GREY	1

D9MG-BODY



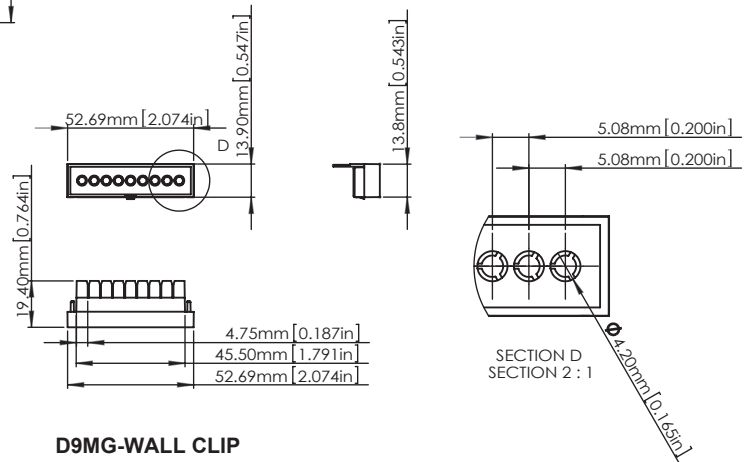
SECTION A-A
SCALE 2 : 3

D9MG-COVER



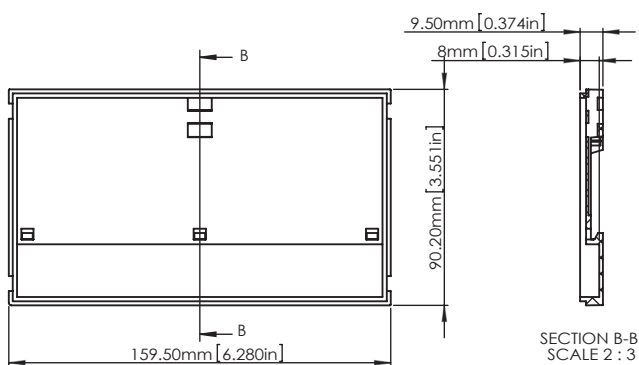
SECTION C-C
SCALE 2 : 3

D9MG-GUARD



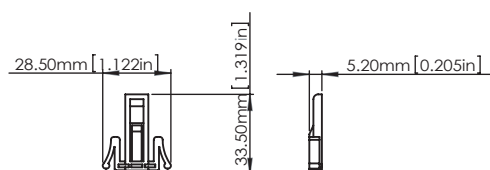
SECTION D
SECTION 2 : 1

D9MG-BASE

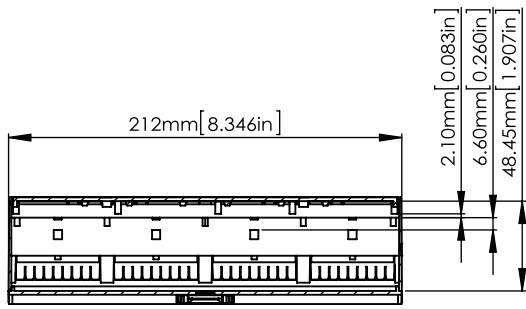


SECTION B-B
SCALE 2 : 3

D9MG-WALL CLIP

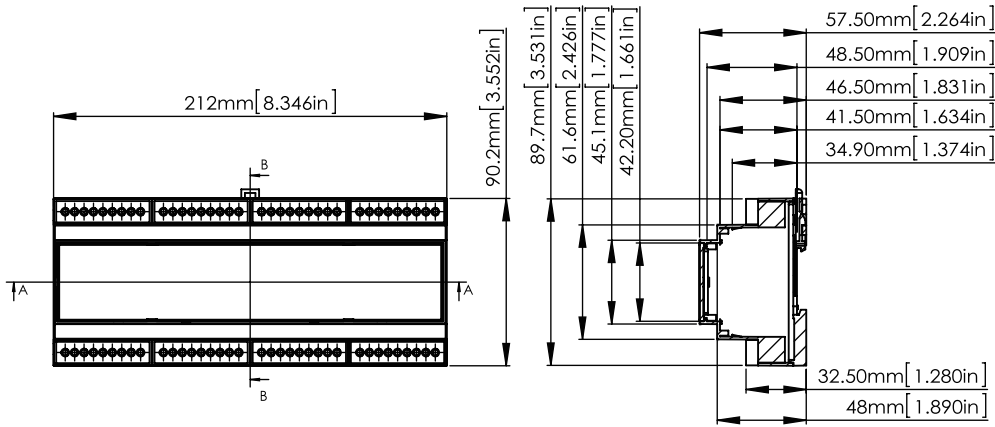


D12MG

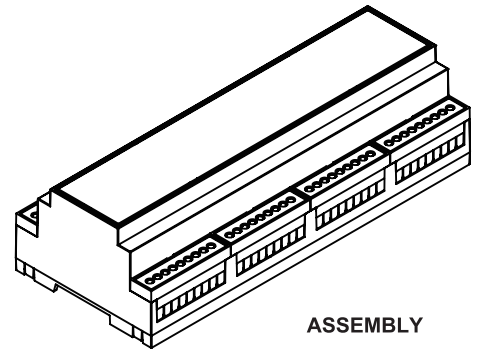


SECTION A-A

ITEM	DESCRIPTION	MATERIAL	COLOUR	UNIT
1	D12MG-BODY	PC/ABS(UL94-V0)	GREY	1
2	D12MG-BASE	PC/ABS(UL94-V0)	GREY	1
3	D12MG-COVER	PC/ABS(UL94-V0)	GREY	1
4	D12MG-GUARD	PC/ABS(UL94-V0)	GREY	8
5	D12MG-WALL CLIP	NYLON66(UL94-V0)	DARK GREY	1

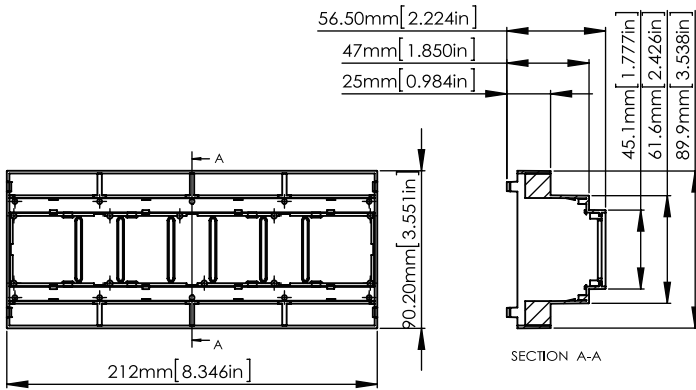


SECTION B-B



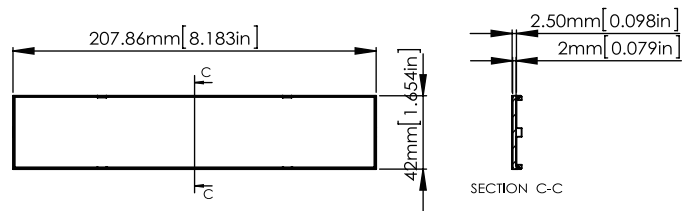
ASSEMBLY

D12MG-BODY



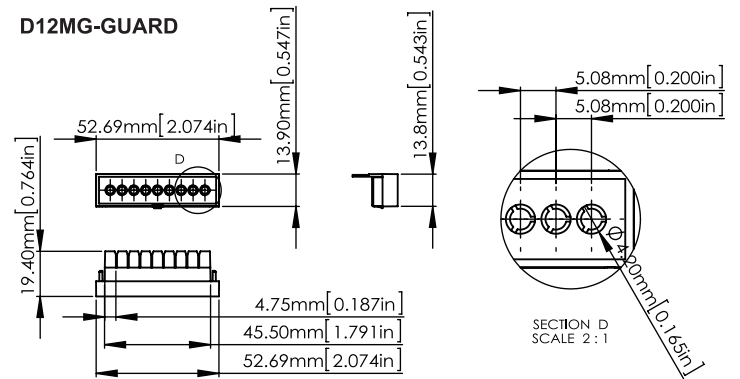
SECTION A-A

D12MG-COVER



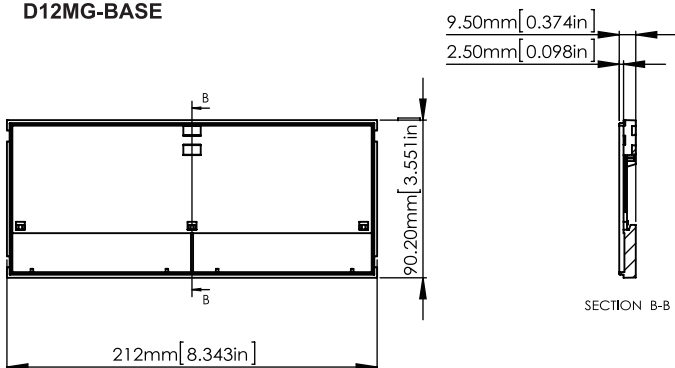
SECTION C-C

D12MG-GUARD



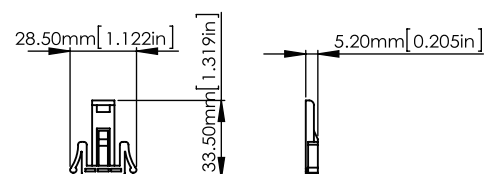
SECTION D
SCALE 2 : 1

D12MG-BASE



SECTION B-B

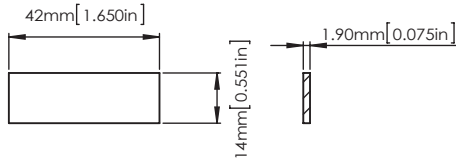
D12MG-WALL CLIP



SNAP-IN COVER (for DIN Rail Module Box)

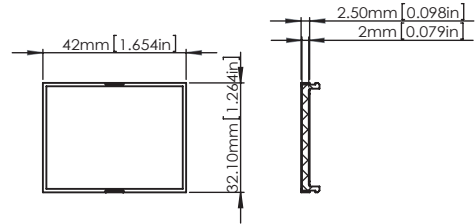
D1MG-COVER

ITEM NO	Description	Material
D1MG COVER-GY	Grey cover for D1MG din-box use	PC/ABS(UL94-V0)
D1MG COVER-IR	Red Transparent cover for D1MG din-box use	PC(UL94-V0)
D1MG COVER-C	Clear cover for D1MG din-box use	PC(UL94-V0)



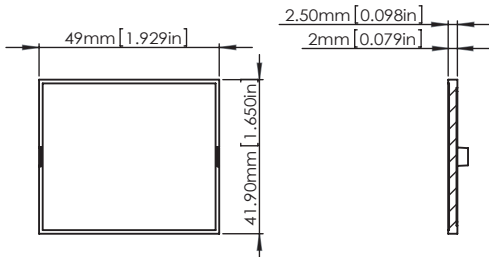
D2MG-COVER

ITEM NO	Description	Material
D2MG COVER-GY	Grey cover for D2MG din-box use	PC/ABS(UL94-V0)
D2MG COVER-IR	Red Transparent cover for D2MG din-box use	PC(UL94-V0)
D2MG COVER-C	Clear cover for D2MG din-box use	PC(UL94-V0)



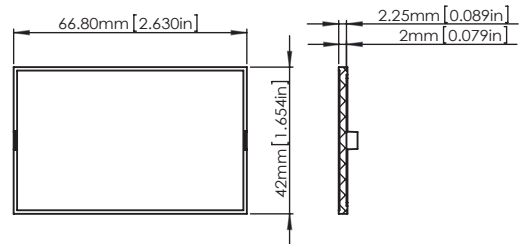
D3MG-COVER

ITEM NO	Description	Material
D3MG COVER-GY	Grey cover for D3MG din-box use	PC/ABS(UL94-V0)
D3MG COVER-IR	Red Transparent cover for D3MG din-box use	PC(UL94-V0)
D3MG COVER-C	Clear cover for D3MG din-box use	PC(UL94-V0)



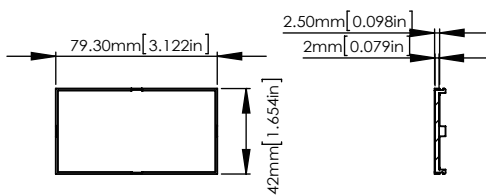
D4MG-COVER

ITEM NO	Description	Material
D4MG COVER-GY	Grey cover for D4MG din-box use	PC/ABS(UL94-V0)
D4MG COVER-IR	Red Transparent cover for D4MG din-box use	PC(UL94-V0)
D4MG COVER-C	Clear cover for D4MG din-box use	PC(UL94-V0)



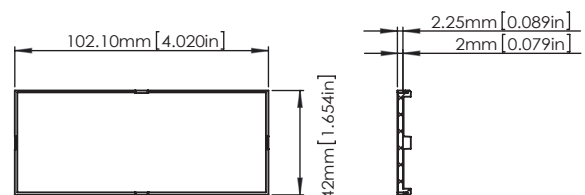
D5MG-COVER

ITEM NO	Description	Material
D5MG COVER-GY	Grey cover for D5MG din-box use	PC/ABS(UL94-V0)
D5MG COVER-IR	Red Transparent cover for D5MG din-box use	PC(UL94-V0)
D5MG COVER-C	Clear cover for D5MG din-box use	PC(UL94-V0)



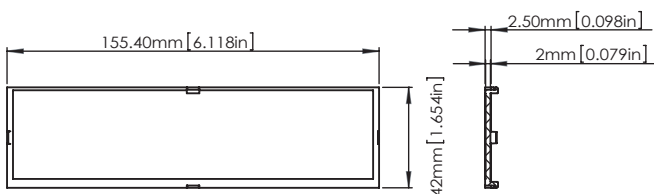
D6MG-COVER

ITEM NO	Description	Material
D6MG COVER-GY	Grey cover for D6MG din-box use	PC/ABS(UL94-V0)
D6MG COVER-IR	Red Transparent cover for D6MG din-box use	PC(UL94-V0)
D6MG COVER-C	Clear cover for D6MG din-box use	PC(UL94-V0)



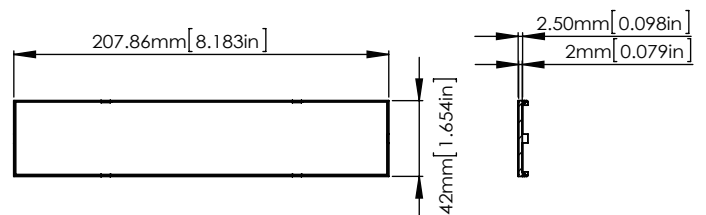
D9MG-COVER

ITEM NO	Description	Material
D9MG COVER-GY	Grey cover for D9MG din-box use	PC/ABS(UL94-V0)
D9MG COVER-IR	Red Transparent cover for D9MG din-box use	PC(UL94-V0)
D9MG COVER-C	Clear cover for D9MG din-box use	PC(UL94-V0)

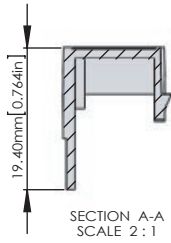
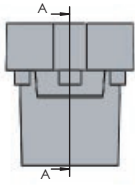


D12MG-COVER

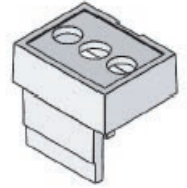
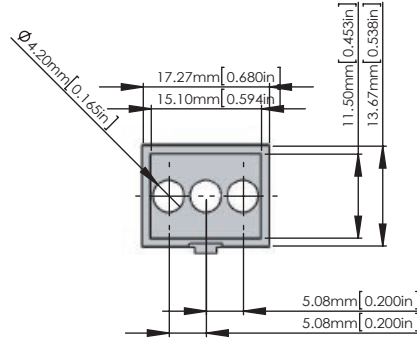
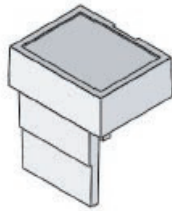
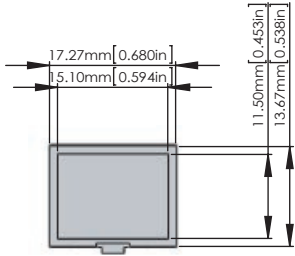
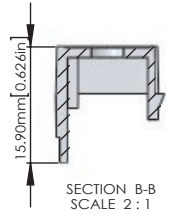
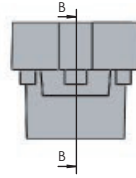
ITEM NO	Description	Material
D12MG COVER-GY	Grey cover for D12MG din-box use	PC/ABS(UL94-V0)
D12MG COVER-IR	Red Transparent cover for D12MG din-box use	PC(UL94-V0)
D12MG COVER-C	Clear cover for D12MG din-box use	PC(UL94-V0)



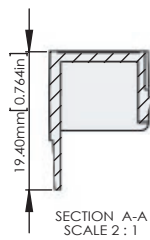
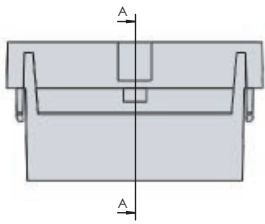
D1MG-GUARD-NO



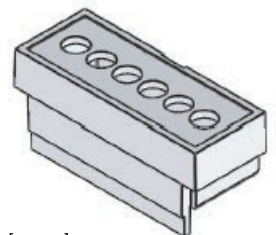
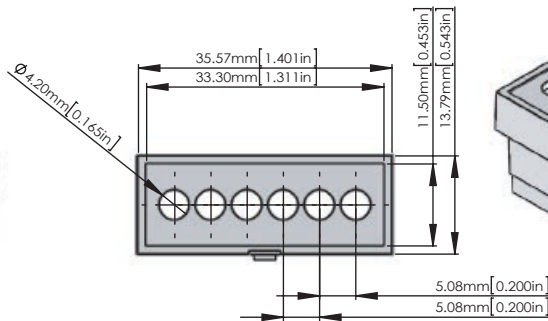
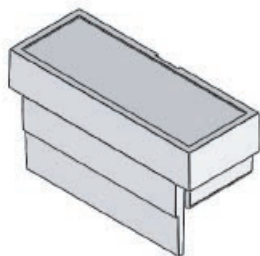
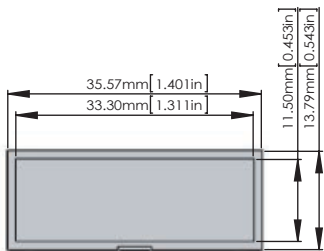
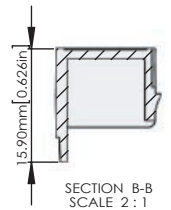
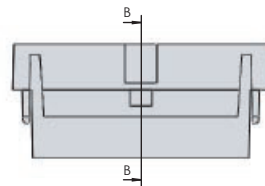
D1MG-GUARD-HH



D2MG-GUARD-NO

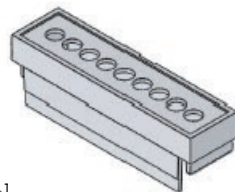
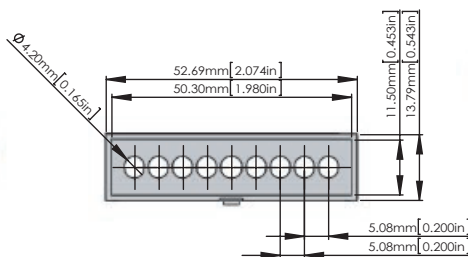
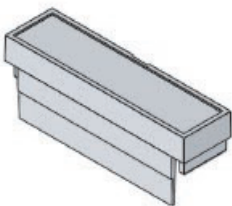
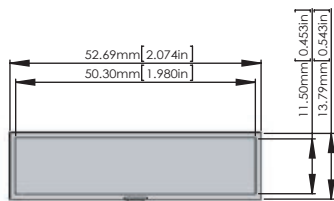
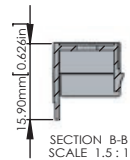
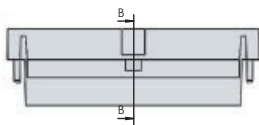
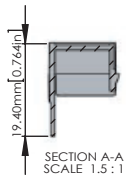
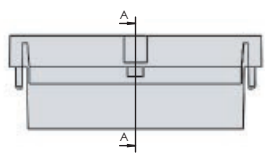


D2MG-GUARD-HH



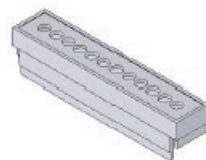
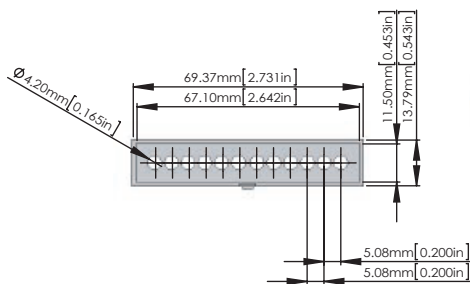
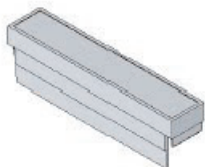
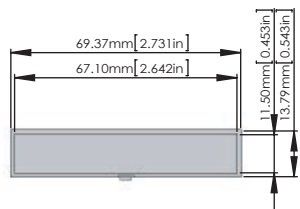
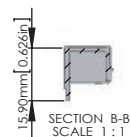
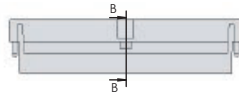
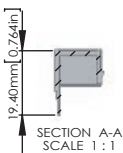
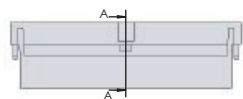
D3MG/D6MG/D9MG-GUARD-NO

D3MG/D6MG/D9MG-GUARD-HH



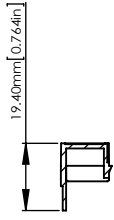
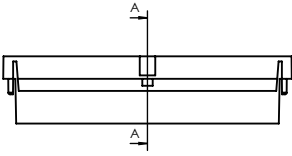
D4MG-GUARD-NO

D4MG-GUARD-HH

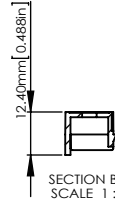
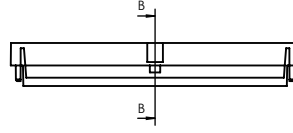


D5MG-GUARD-NO

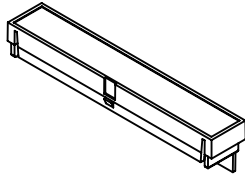
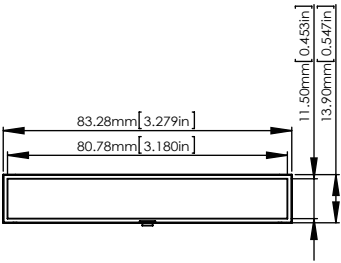
D5MG-GUARD-HH



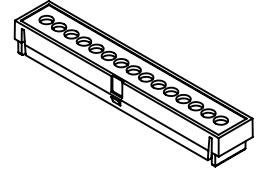
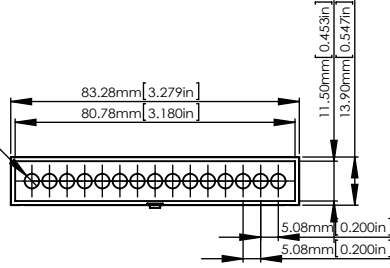
SECTION A-A
SCALE 1 : 1



SECTION B-B
SCALE 1 : 1

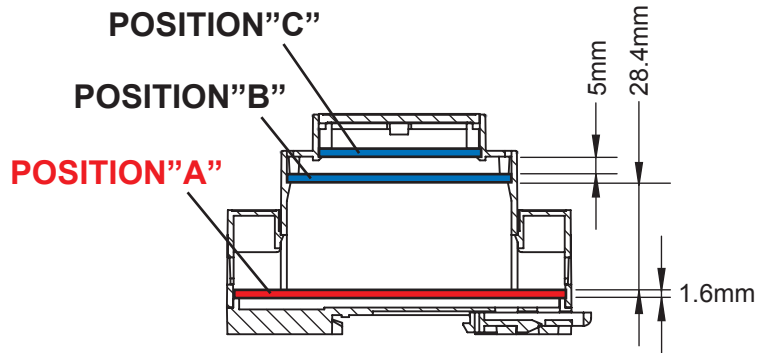


$\varnothing 4.20\text{mm} [0.165\text{in}]$

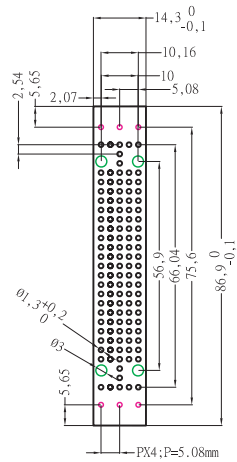


RECOMMENDED CIRCUIT BOARD LAYOUT

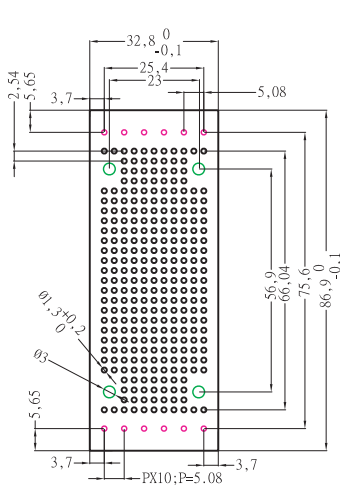
PCB position "A"



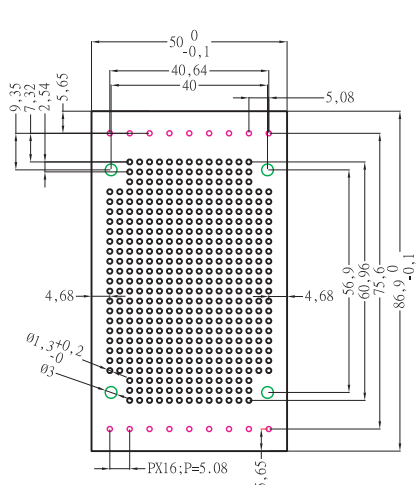
D1MG-PCB-A



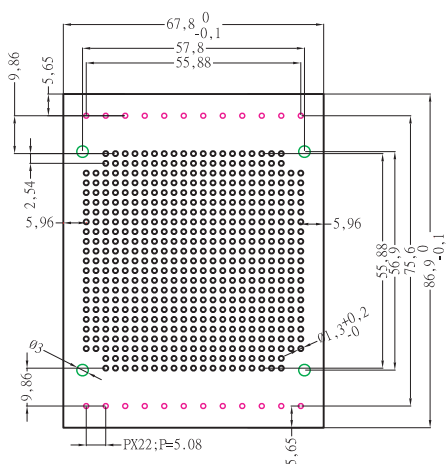
D2MG-PCB-A



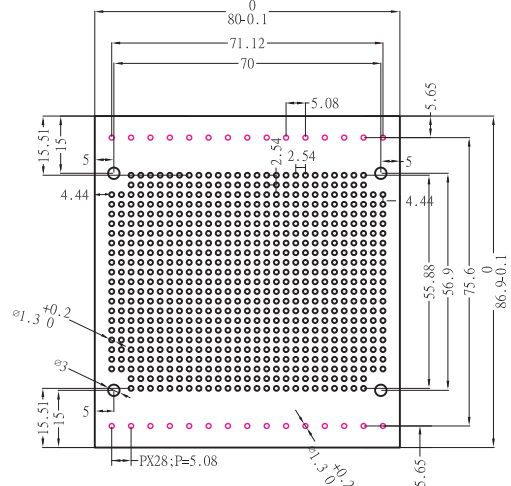
D3MG-PCB-A



D4MG-PCB-A

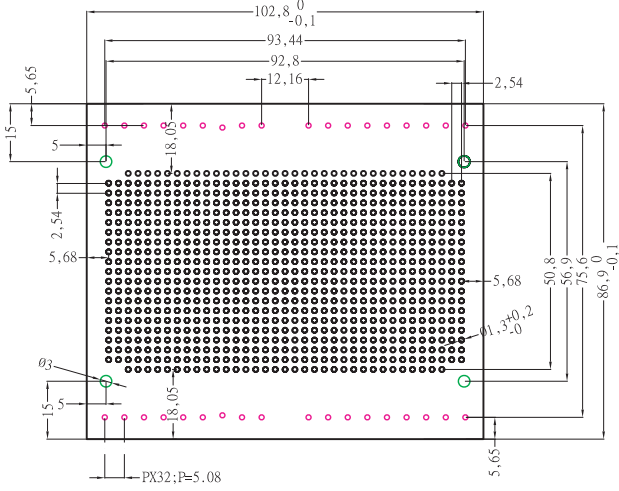


D5MG-PCB-A

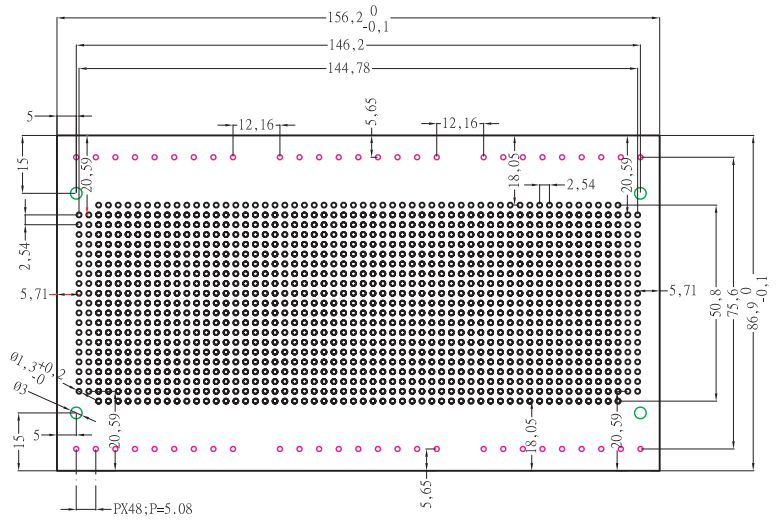


RECOMMENDED CIRCUIT BOARD LAYOUT

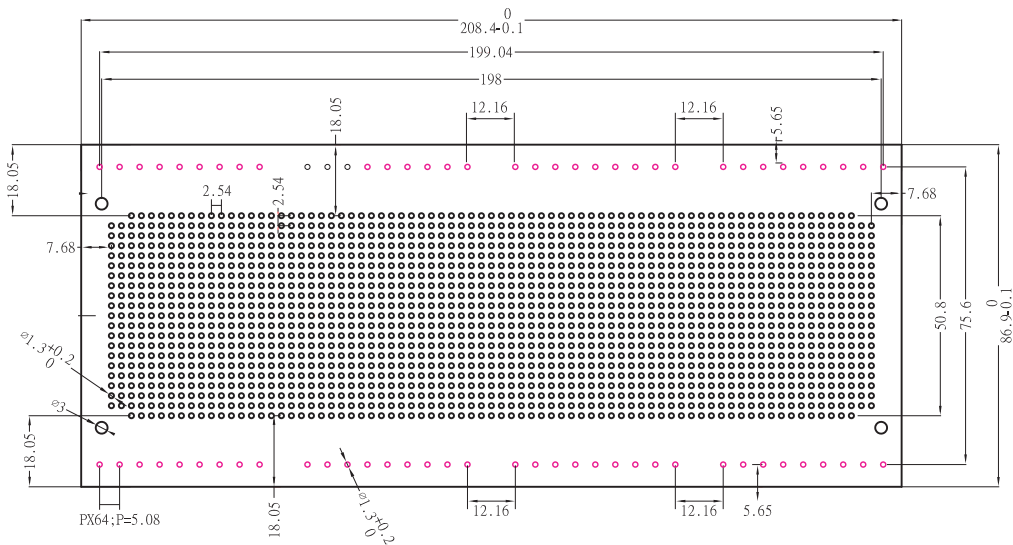
D6MG-PCB-A



D9MG-PCB-A



D12MG-PCB-A





PRODUCT INFORMATION

MATERIAL:

- Polycarbonate (Transparent) for G1901C, G1911C
- High impact ABS (UL94-HB) for G1901G , G1905, G1911G
- Flame retardant of ABS (UL94-V0) for G1903 , G1906 , G1908 & G1910

FEATURES:

- G1901G/G1901C, or G1911G/G1911C – Ideally design for usb type of memory card or wireless product use.
- G1903, G1906, G1908 & G1910 - Ideally design for electronic product use.
- G1905 – Utility box with external mounting bracket.

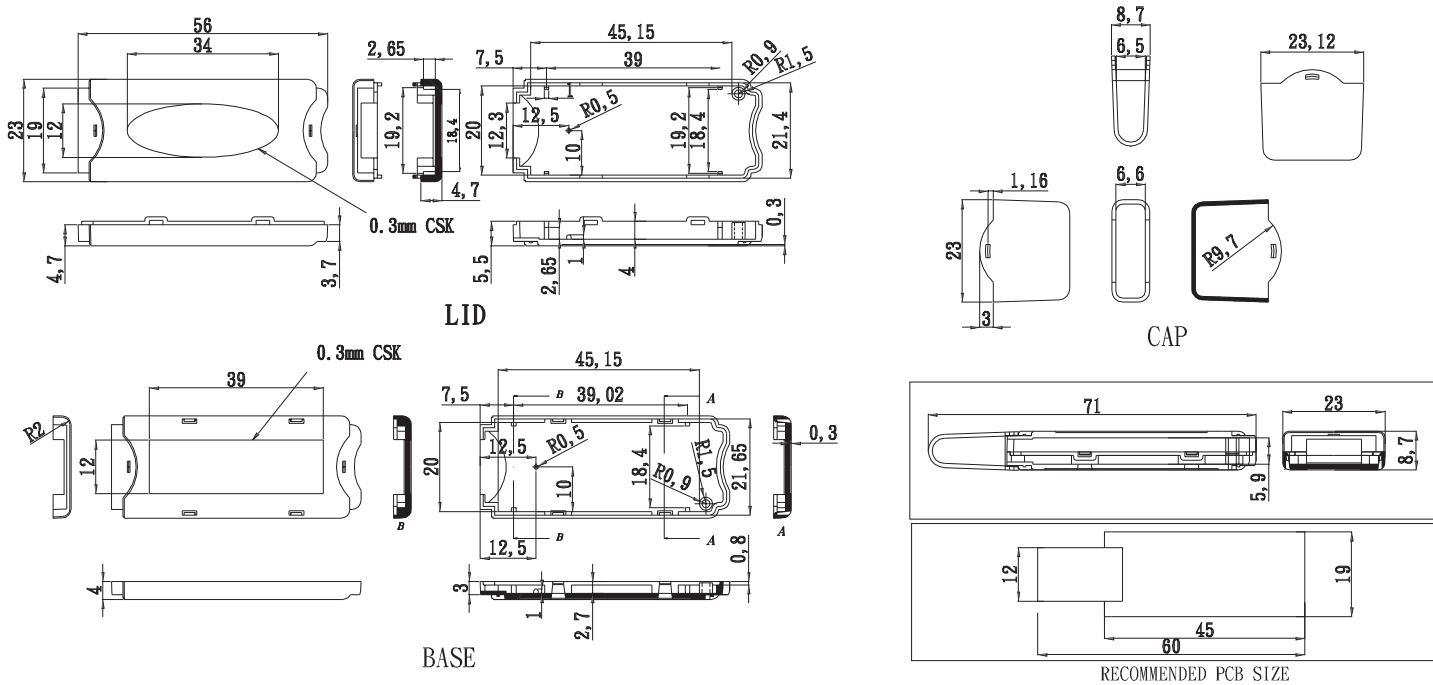
USB BOX

ITEM No.	EXTERNAL DIMENSION(MM)
G1901G	71 x 23 x 8.7
G1901C	71 x 23 x 8.7
NEW G1911G	51.5 x 18 x 8.5
NEW G1911C	51.5 x 18 x 8.5

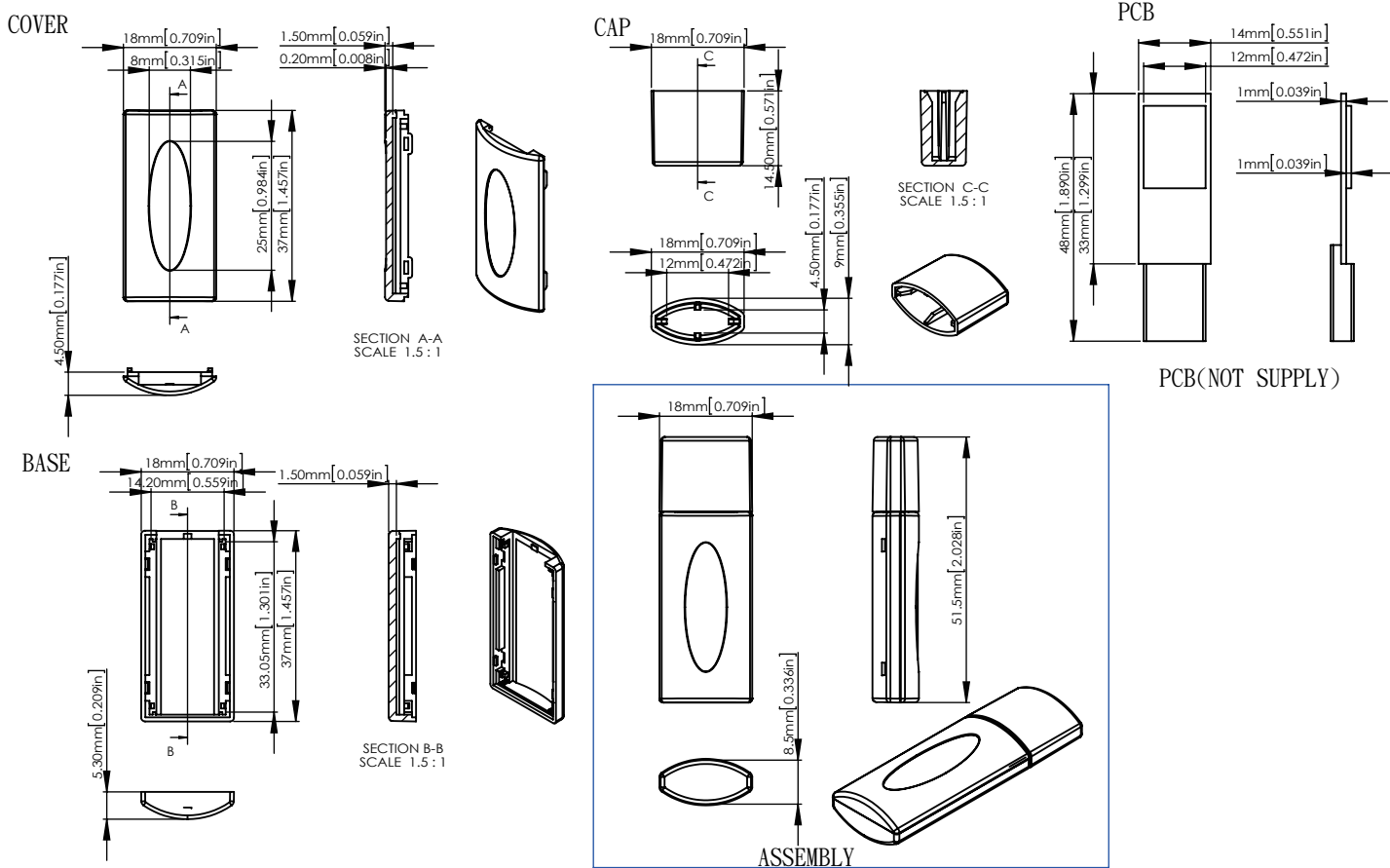
UTILITY BOX

ITEM No.	EXTERNAL DIMENSION(MM)
G1903	77 x 49 x 26.6
G1905	102 x 77 x 39.4
G1906	69.5 x 50.5 x 21
G1908	88.5 x 63 x 27.5
G1910	115 x 83 x 32

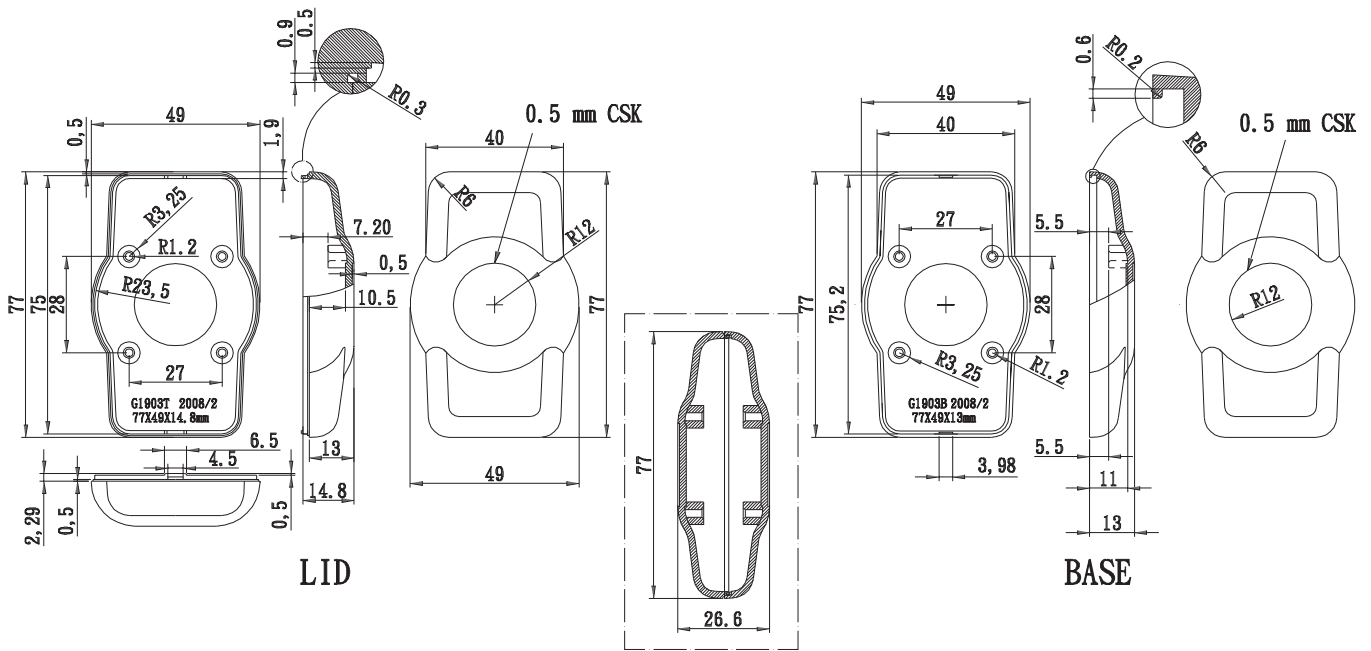
G1901



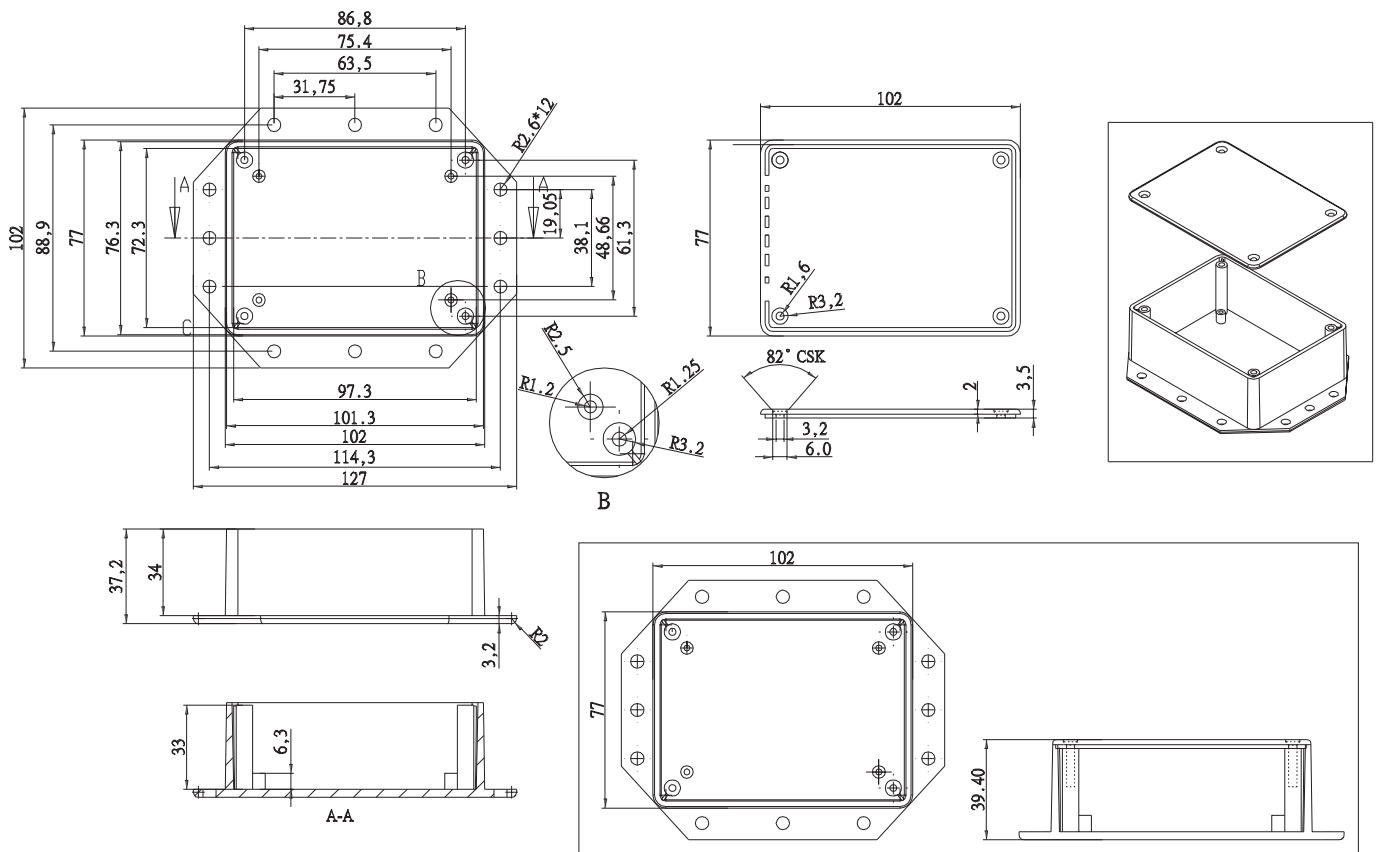
G1911



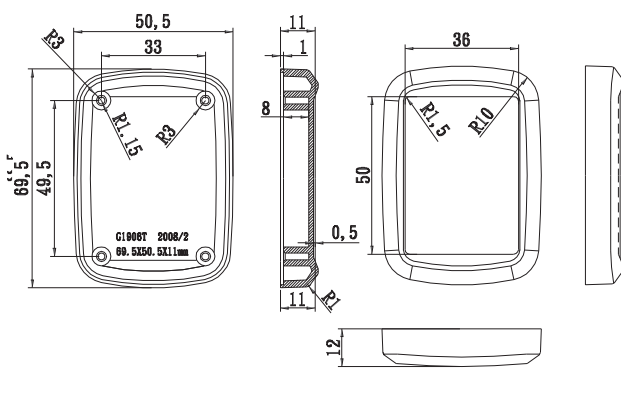
G1903



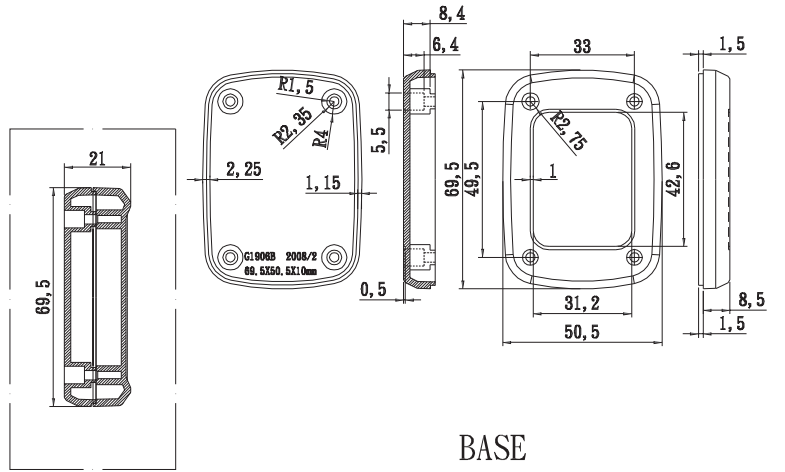
G1905



G1906

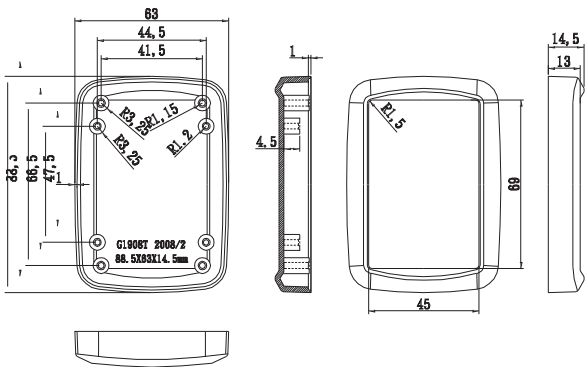


LID

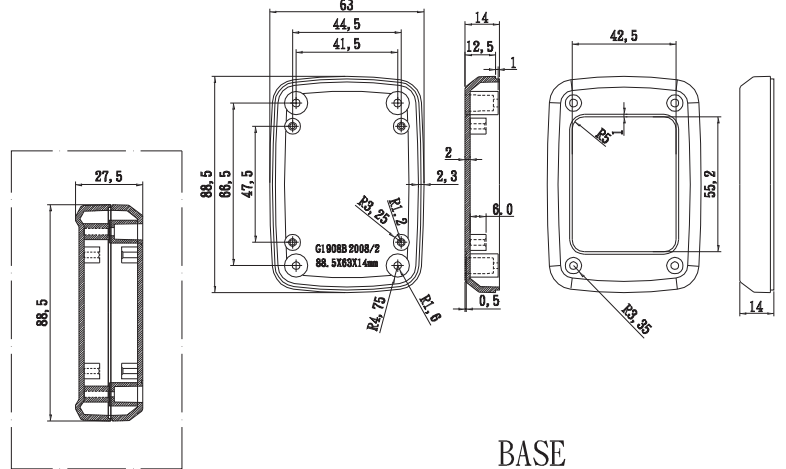


BASE

G1908

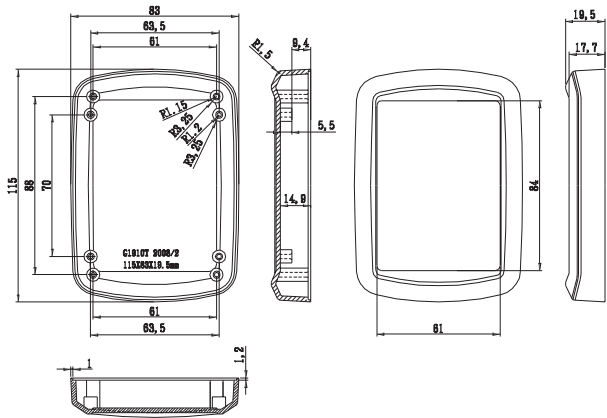


LID

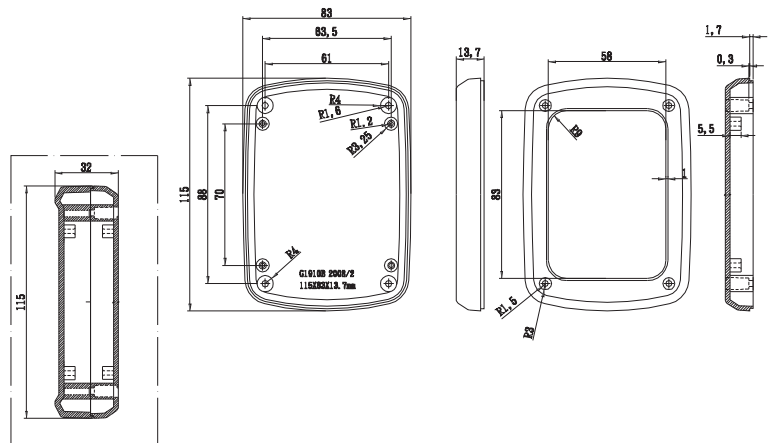


BASE

G1910



LID

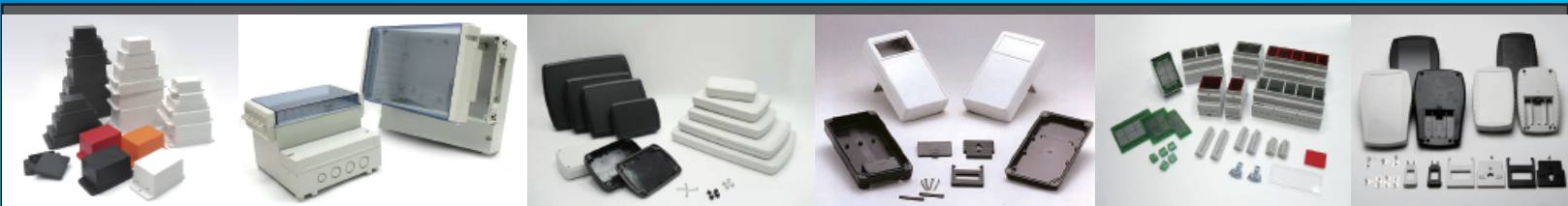


BASE

ALUMINIUM BOX SERIES



PLASTIC BOX SERIES



Gainta Industries Ltd.

1f., No. 28 , Lane 54 , Chung Cheng Road , Hsin Tien District, New Taipei City , Taiwan
Tel : 886-2-29122561 Fax : 886-2-29122559
E-Mail : gainta@gainta.com.tw